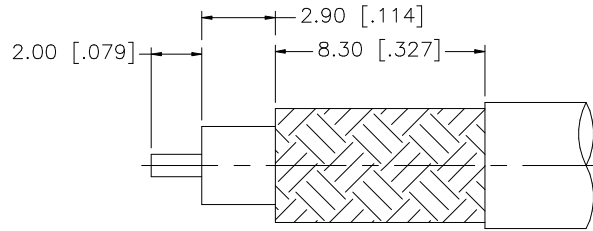
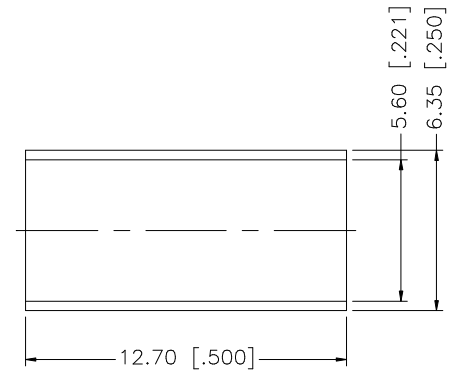
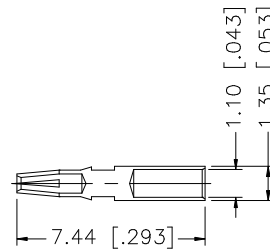
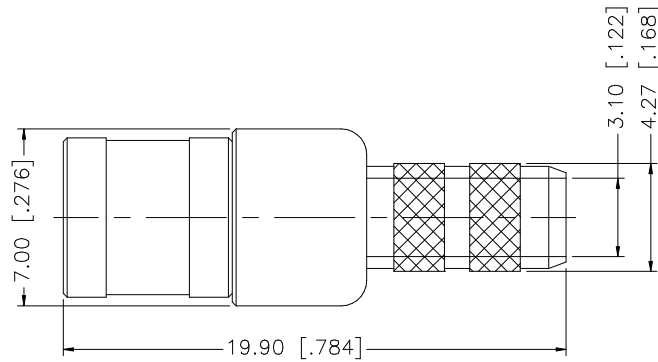


REV.	DATE	DESCRIPTION
NC	03/13/00	INITIAL RELEASE
A	07/20/05	UPDATE DRAWING FORMAT



RECOMMENDED  
CABLE STRIPPING DIM'S



NOTE:

1. CRIMPED FERRULE  
HEX CRIMP SIZE .213"

8					<small>UNLESS OTHERWISE SPECIFIED DIMENSIONS ARE IN MILLIMETERS. DIMENSIONS IN [ ] ARE IN INCHES AND FOR CUSTOMER REFERENCE ONLY.</small>  <small>UNLESS OTHERWISE SPECIFIED TOLERANCES FOR MILLIMETERS ARE:  0.5 - 8mm ± 0.20mm  8 - 30mm ± 0.40mm  30 - 120mm ± 0.50mm</small>  <small>UNLESS OTHERWISE SPECIFIED TOLERANCES FOR INCHES ARE:  .020 - .315 = ± 0.007"  .315 - 1.180 = ± 0.015"  1.180 - 4.724 = ± 0.020"</small>	APPROVALS	DATE	<h1 style="color: blue;">Amphenol Connex</h1> <p><b>SMB CRIMP PLUG</b> <b>(FOR RG-142/U, 223/U, 400/U CABLE)</b></p>						
7				DRAWN		G.R.S.	07/20/05							
6				CHECKED										
5				ISSUED										
4	FERRULE	COPPER	GOLD	1	SHEET	1 OF 1	PART DESCRIPTION							
3	CONTACT PIN	BER. COPPER	GOLD	1			PART NO.							
2	INSULATOR	TEFLON	NATURAL	1			142220							
1	BODY	BRASS	GOLD	1			DWG. NO.	142220.DWG	REV.	A	SIZE	A	SCALE	NA
DESCRIPTION					MATERIAL		FINISH		QTY		DO NOT SCALE DRAWING			