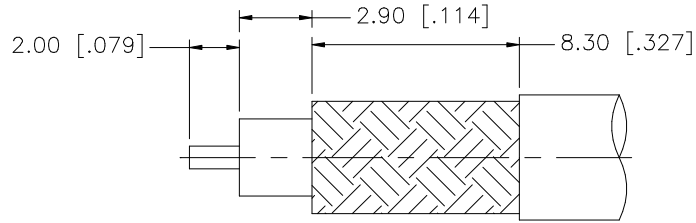
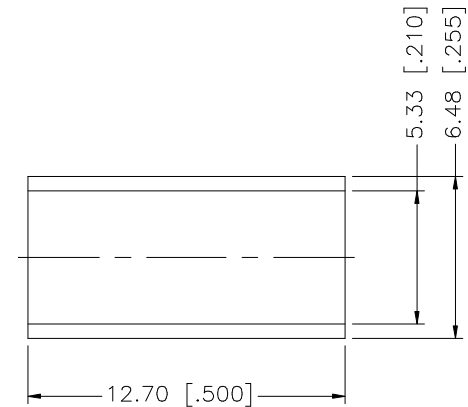
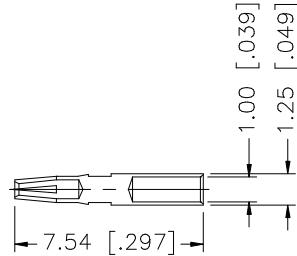
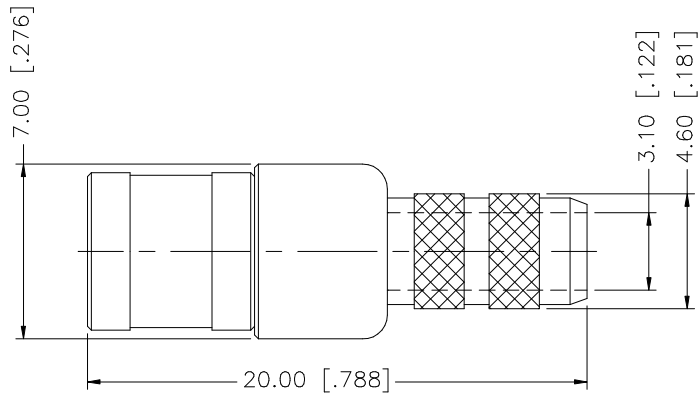


REV.	DATE	DESCRIPTION
NC	11/08/99	INITIAL RELEASE
A	10/01/06	UPDATE DRAWING FORMAT



RECOMMENDED
CABLE STRIPPING DIM'S



NOTE:

1. CRIMPED FERRULE HEX CRIMP SIZE .213"

				UNLESS OTHERWISE SPECIFIED DIMENSIONS ARE IN MILLIMETERS, DIMENSIONS IN [] ARE IN INCHES AND FOR CUSTOMER REFERENCE ONLY.	APPROVALS	DATE	<h1>Amphenol Connex</h1>																
8					DRAWN	G.R.S.					10/01/06	SMB CRIMP PLUG (FOR RG-58/U CABLE)											
7					CHECKED			PART NO. 142254															
6					ISSUED											DWG. NO. 142254.DWG							
5					SHEET	1 OF 1														REV. A SIZE A SCALE NA			
4	FERRULE	COPPER	NICKEL	1																			
3	CONTACT PIN	BER. COPPER	GOLD	1																			
2	INSULATOR	TEFLON	NATURAL	1																			
1	BODY	BRASS	NICKEL	1																			
DESCRIPTION				MATERIAL	FINISH	QTY																	
				DO NOT SCALE DRAWING	CAD FILE		C:/142/142254.DWG																