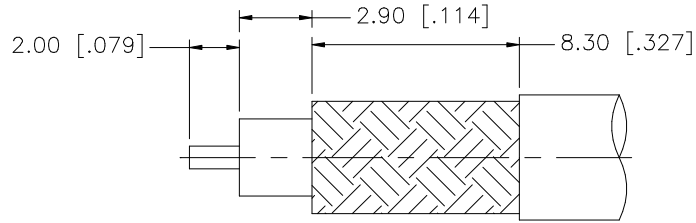
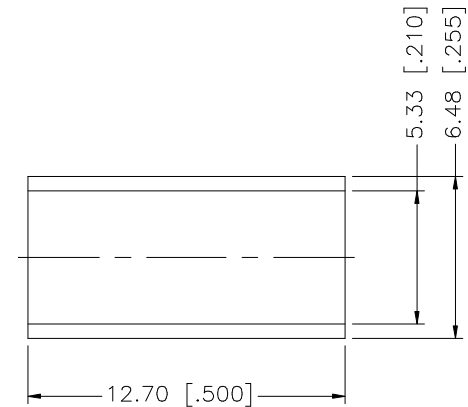
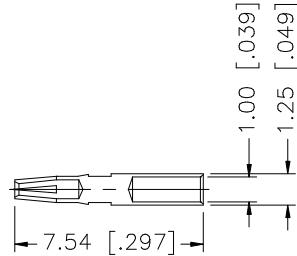
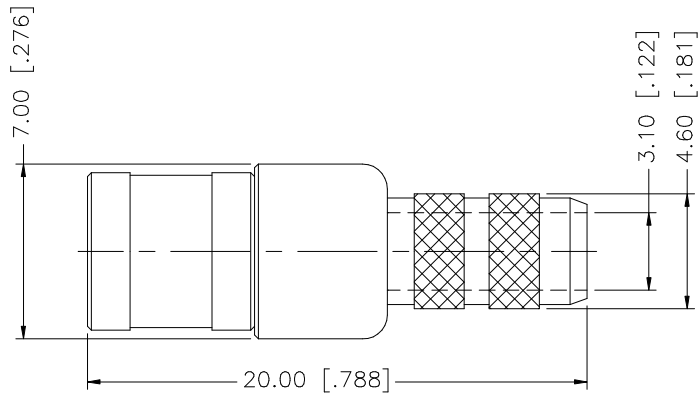


REV.	DATE	DESCRIPTION
NC	11/08/99	INITIAL RELEASE
A	10/01/06	UPDATE DRAWING FORMAT



RECOMMENDED  
CABLE STRIPPING DIM'S



NOTE:

1. CRIMPED FERRULE HEX CRIMP SIZE .213"

				APPROVALS	DATE	<b>Amphenol Connex</b>				
8				DRAWN	G.R.S.					10/01/06
7				CHECKED						
6				ISSUED						
5				SHEET	1 OF 1					
4	FERRULE	COPPER	GOLD	1						
3	CONTACT PIN	BER. COPPER	GOLD	1						
2	INSULATOR	TEFLON	NATURAL	1						
1	BODY	BRASS	GOLD	1						
UNLESS OTHERWISE SPECIFIED DIMENSIONS ARE IN MILLIMETERS, DIMENSIONS IN [ ] ARE IN INCHES AND FOR CUSTOMER REFERENCE ONLY.  UNLESS OTHERWISE SPECIFIED TOLERANCES FOR MILLIMETERS ARE: 0.5 - 8mm ± 0.20mm 8 - 30mm ± 0.40mm 30 - 120mm ± 0.50mm  UNLESS OTHERWISE SPECIFIED TOLERANCES FOR INCHES ARE: .020 - .315 ± 0.007" .315 - 1.180 ± 0.015" 1.180 - 4.724 ± 0.020"  DO NOT SCALE DRAWING				CAD FILE C:/142/142255.DWG						