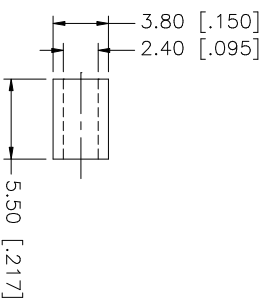
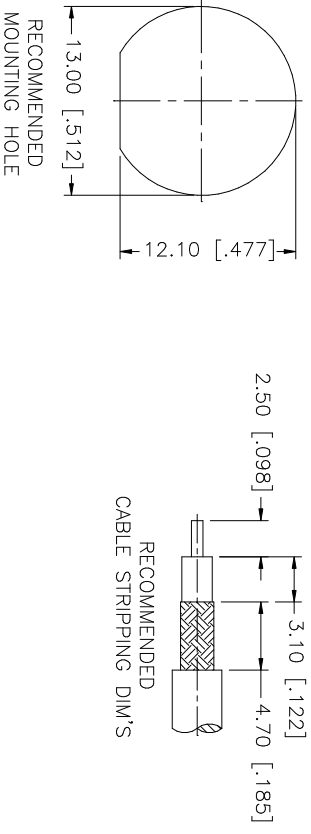
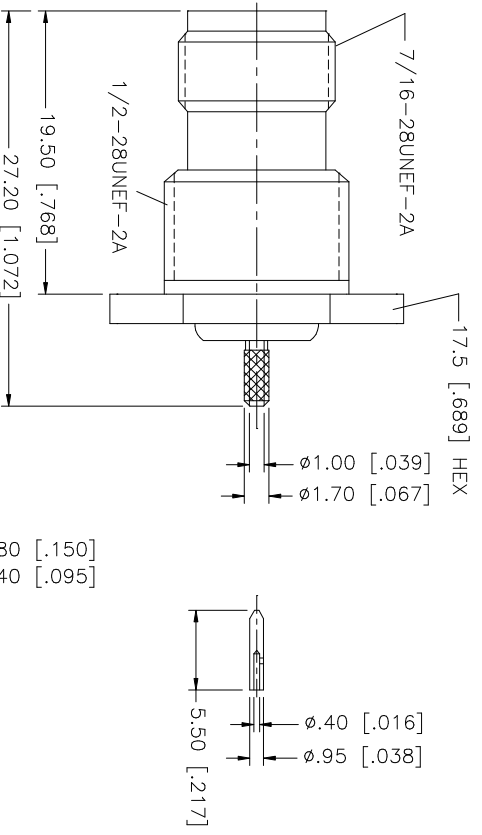
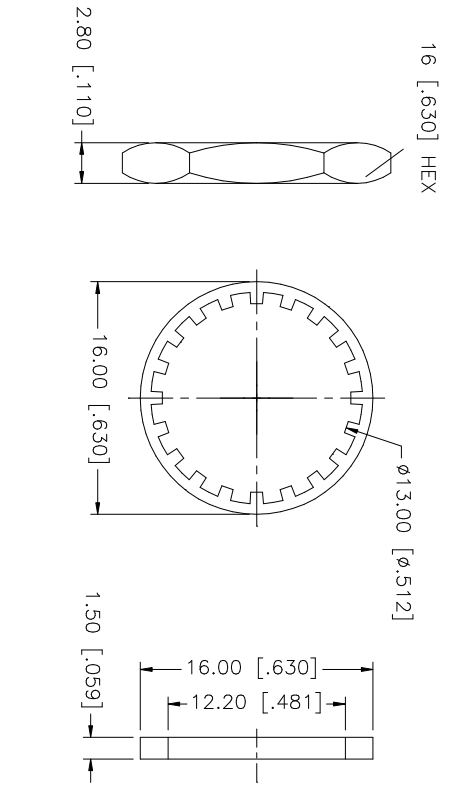


REV.	DATE	DESCRIPTION
A	06/29/04	UPDATE DRAWING FORMAT
B	03/27/05	ADD 17.5 HEX DIMENSION



CRIMP NOTES:

1. CRIMPED FERRULE
HEX CRIMP SIZE .128"
2. CRIMPED CONTACT PIN
SQ. CRIMP SIZE .7mm
3. MAX. PANEL THICKNESS= 5.5mm

QTY	DESCRIPTION	MATERIAL	FINISH	UNLESS OTHERWISE SPECIFIED DIMENSIONS ARE IN MILLIMETERS. DIMENSIONS IN [] ARE IN INCHES AND FOR CUSTOMER REFERENCE ONLY. TOLERANCES FOR MILLIMETERS ARE:	UNLESS OTHERWISE SPECIFIED DIMENSIONS ARE IN MILLIMETERS. DIMENSIONS IN [] ARE IN INCHES AND FOR CUSTOMER REFERENCE ONLY. TOLERANCES FOR MILLIMETERS ARE:	APPROVALS	DATE	PART DESCRIPTION		
1	FERRULE	COPPER	NICKEL	0.5 - 8mm ± 0.20mm	.020 - .315 = ± 0.007"	DRAWN G.R.S.	03/27/05	TNC BULKHEAD CRIMP JACK (FOR RG-178B/U, 196A/U CABLE)		
1	HEX NUT	BRASS	NICKEL	8 - 30mm ± 0.40mm	.315 - 1.180 = ± 0.015"					
1	LOCK WASHER	BRASS	NICKEL	30 - 120mm ± 0.50mm	1.180 - 4.724 = ± 0.020"	CHECKED				
1	GASKET	RUBBER	RED			ISSUED				
1	CONTACT PIN	BRASS	GOLD			SHEET 1 OF 1				
1	INSULATOR BODY	DELIRIN BRASS	NATURAL NICKEL							
	DESCRIPTION	MATERIAL	FINISH	QTY	DO NOT SCALE DRAWING	CAD FILE C:/122/122370.DWG	DWG. NO. 122370.DWG	REV. B	SIZE A	SCALE NA

Amphenol Connex

122370