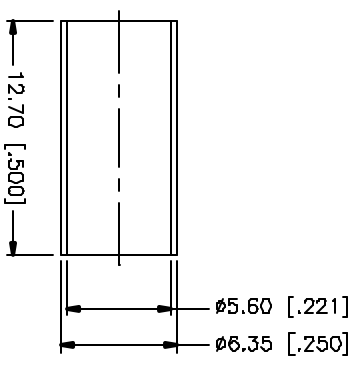
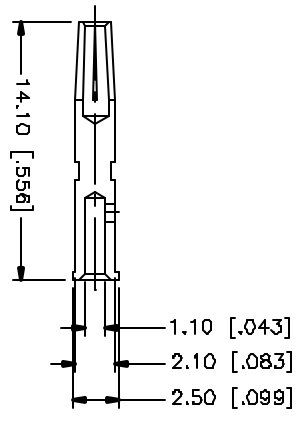
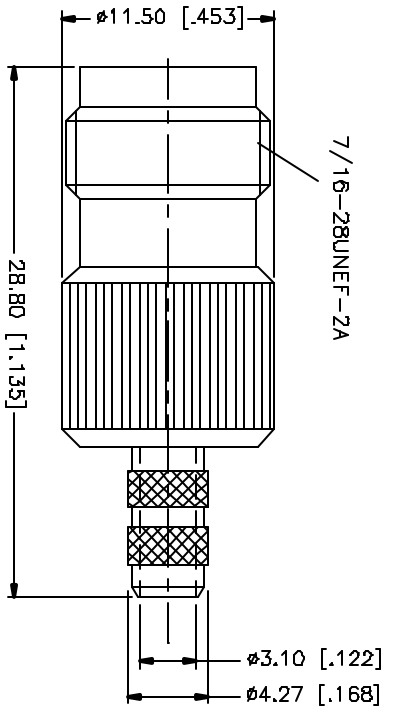
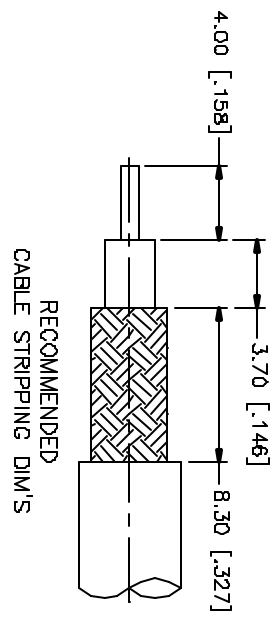


REV.	DATE	DESCRIPTION
NC	03/19/05	INITIAL RELEASE



NOTE:

1. CRIMPED FERRULE  
HEX CRIMP SIZE 5.41 [.213"]
2. CRIMP CONTACT PIN  
HEX CRIMP SIZE 1.72 [.068"]

REV.	DATE	DESCRIPTION
NC	03/19/05	INITIAL RELEASE

1	FERRULE	COPPER	NICKEL	1	<p>UNLESS OTHERWISE SPECIFIED DIMENSIONS ARE IN MILLIMETERS. DIMENSIONS IN [ ] ARE IN INCHES AND PER QUANTITIES REFERENCED ONLY.</p> <p>UNLESS OTHERWISE SPECIFIED, TOLERANCES FOR MILLIMETERS ARE:</p> <p>0.5 - .8mm ± 0.20mm        .8 - .30mm ± 0.40mm        .30 - 1.20mm ± 0.50mm</p> <p>UNLESS OTHERWISE SPECIFIED, TOLERANCES FOR INCHES ARE:</p> <p>.020 - .315 = ± 0.007"        .315 - 1.180 = ± 0.015"        1.180 - 4.724 = ± 0.020"</p> <p>DO NOT SCALE DRAWING</p>
2	CONTACT PIN	PHOS. BRONZE	GOLD	1	
3	INSULATOR	TEFLON	NATURAL	1	
4	BODY	BRASS	NICKEL	1	
DESCRIPTION					
MATERIAL					
FINISH					
QTY					

APPROVALS	DATE
G.R.S.	03/19/05
CHECKED	
ISSUED	
SHEET	1 OF 1

DWG. NO.	122373.DWG	REV. NC	BZE A	SCALE NA
<p><b>Amphenol Connex</b></p> <p>TNC CRIMP JACK (FOR RG-55/U, 142A/U, 223/U, 400/U)</p> <p>122373</p>				