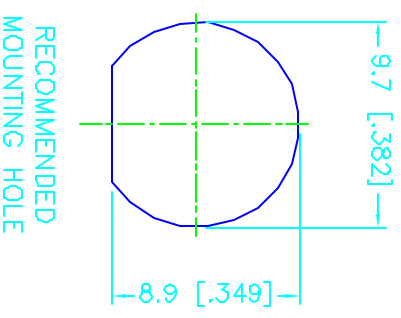
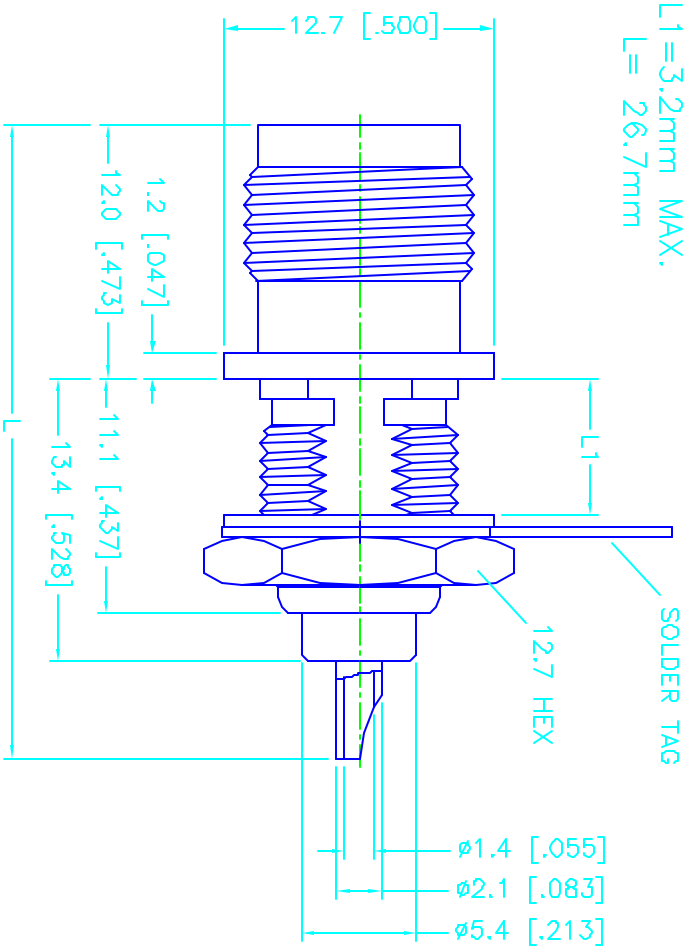


REV.	DATE	DESCRIPTION
NC	04/01/98	INITIAL RELEASE

DIMENSION NOTES:

L1 = 3.2mm MAX.
L = 26.7mm



DESCRIPTION	MATERIAL	FINISH	UNLESS OTHERWISE SPECIFIED DIMENSIONS ARE IN MILLIMETERS	APPROVALS	DATE	TITLE			REV.		
1 BODY	BRASS	NICKEL	DIMENSIONS IN [] ARE IN INCHES FOR CUSTOMER REFERENCE ONLY UNLESS OTHERWISE SPECIFIED TOLERANCES FOR MILLIMETERS ARE: 0.5-6 = ± 0.2 6-30 = ± 0.4 30-120 = ± 0.6 120-315 = ± 1 315-1000 = ± 1.6 1000-2000 = ± 2.4	DRAWN	G.R.S.	04/01/98	BULKHEAD RECEPTACLE JACK (75 ohm)			NC	
2 INSULATOR	DELRIN	NATURAL		CHECKED	ISSUED			Connector Corporation			
3 CONTACT PIN	PHOS. BRONZE	GOLD		SCALE			NA	PART NO.	122333	SHEET	1 OF 1
4 FERRULE	COPPER	NICKEL		SIZE			A	FROM NO.	99001	DWG. NO.	122333.DWG
5 HEX NUT	BRASS	NICKEL		DO NOT SCALE DRAWING							
6											
7											
8											