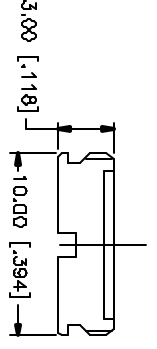
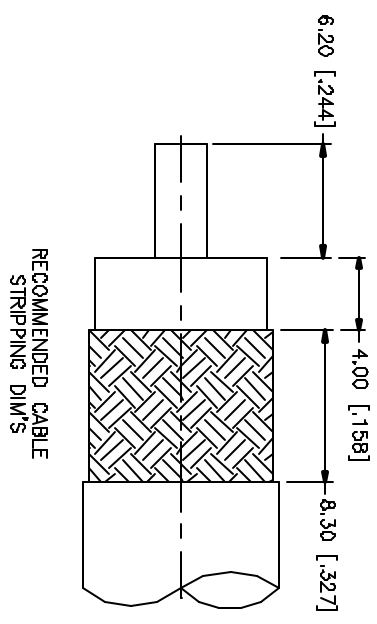
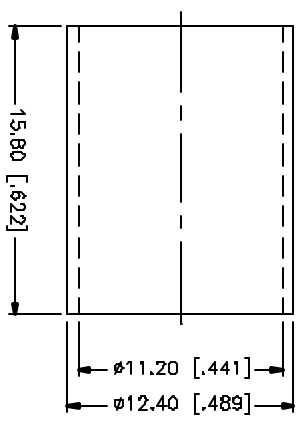
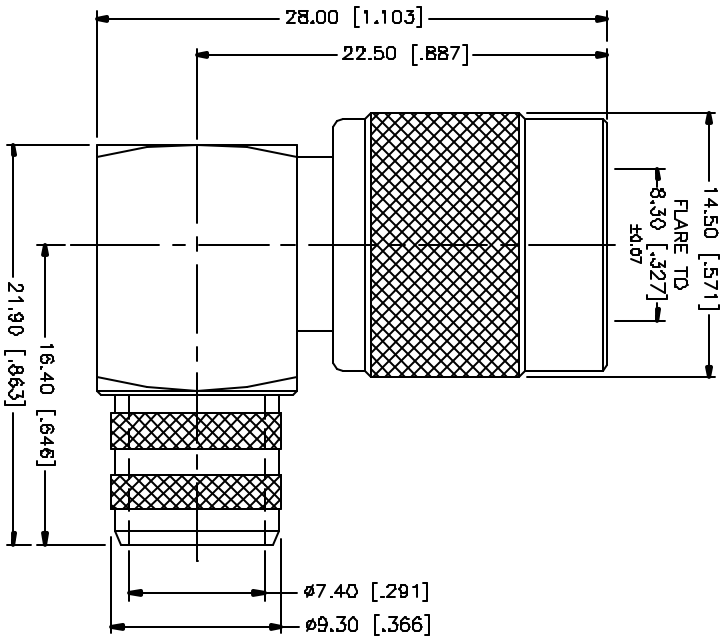


REV.	DATE	DESCRIPTION
NC	01/09/05	INITIAL RELEASE



- NOTES:
1. CRIMPED FERRULE HEX SIZE .429"
 2. SOLDER CENTER CONTACT.

DESCRIPTION	MATERIAL	FINISH	QTY
1	BRASS	NICKEL	1
2	TEFLON	NATURAL	1
3	BRASS	GOLD	1
4	COPPER	NICKEL	1
5	BRASS	NICKEL	1
7			
8			

UNLESS OTHERWISE SPECIFIED ENGINEERING UNITS SHALL BE IN MILLIMETERS AND DECIMALS THEREOF. UNLESS OTHERWISE SPECIFIED DIMENSIONS FOR MILLIMETER ARE:
0.5 - 8mm ± 0.20mm
8 - 30mm ± 0.40mm
30 - 120mm ± 0.50mm

UNLESS OTHERWISE SPECIFIED DIMENSIONS FOR INCHES ARE:
0.020 - 0.315 ± 0.007"
0.315 - 1.180 ± 0.015"
1.180 - 4.724 ± 0.020"

APPROVALS	DATE
DESIGN G.R.S.	01/09/05
CHECKED	
DESIGN	
SHEET 1 OF 1	

PART DESCRIPTION	PART NO.
TNC R/A CRIMP PLUG (FOR RG-214/U CABLE)	122503

DWG. NO.	REV.	NC	SIZE	SCALE
122503.DWG	NC		A	NA

Amphenol Connex