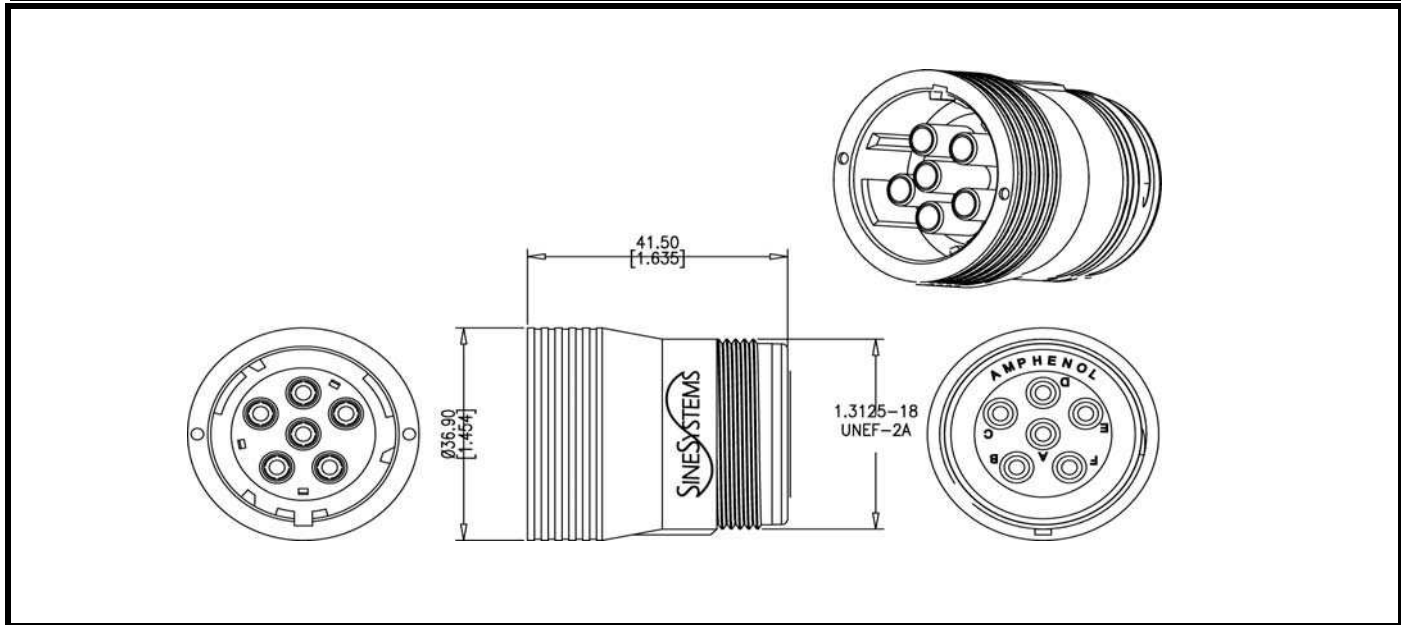


| CONFIGURATION           | PART NUMBER | LENGTH |
|-------------------------|-------------|--------|
| 6-PIN SMOOTH SHELL PLUG | AHD16-6-12S | TBD    |

## DIMENSIONS



## TECHNICAL DATA

|                               |  |
|-------------------------------|--|
| <b>PHYSICAL SHOCK:</b>        | <b>Military Style:</b> No locking, unmating or other unsatisfactory results after 50g's in each of three mutually perpendicular planes.                    |
| <b>DIELECTRICAL STRENGTH:</b> | <b>Diagnostic Grade / Military Style:</b> 1500 volts minimum   |
| <b>VIBRATION:</b>             | <b>Military Style:</b> Maintains continuity and exhibits no mechanical or physical damage after vibration. (20 g's at 10-2000Hz)                           |
| <b>TEMPERATURE:</b>           | <b>Diagnostic Grade / Military Style:</b> Operating temperature range: -55C TO +125C at rated current.   |
| <b>INSULATION RESISTANCE:</b> | <b>Diagnostic Grade / Military Style:</b> 1000 megohms minimum at 25C  |
| <b>DURABILITY:</b>            | <b>Diagnostics Grade / Military Style:</b> No electric or mechanical defects after 100 cycles of engagement and disengagement.                             |
| <b>CORROSION RESISTANCE:</b>  | <b>Diagnostics Grade / Military Style:</b> Connectors show no evidence of corrosion after exposure to 48 hours of salt spray per MIL-STD 1344 method 1001. |

|  |  |
|--|--|
|  |  |
|--|--|