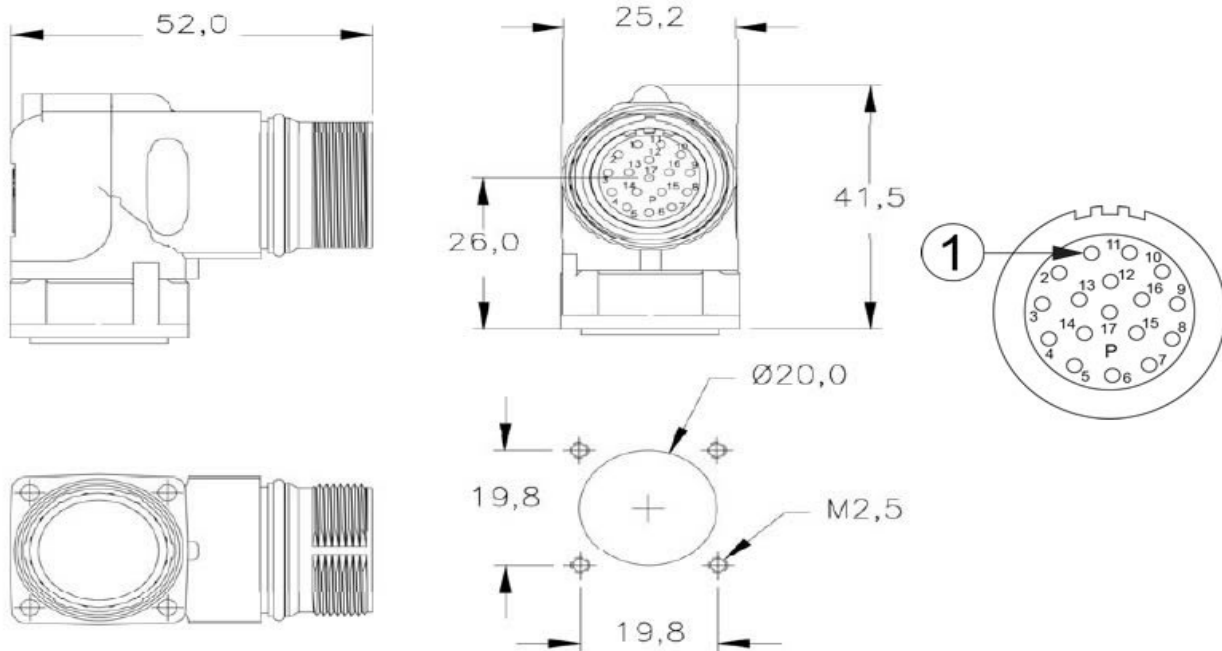


CONFIGURATION	PART NUMBER	CONTACT TYPE
ROTATABLE 90 DEGREE RECEPTACLE, 17 POSITION, TYPE 17P (CCW)	MA1RAP1701	SOCKET PINS

### DIMENSIONS



### TECHNICAL DATA

TEMPERATURE RANGE:	-20C to +130C
PROTECTION:	IP 67 (PLUGGED CONDITION)
DEGREE OF PROTECTION:	3
OVERVOLTAGE CATEGORY:	III
HOUSING BODY:	ZINC DIE-CAST
COUPLING NUT:	BRASS, NICKEL-PLATED
INSULATION INSERTS:	PA66, UL94 / VO
CONTACTS:	BRASS, GOLD-PLATED
SEALS:	DUPONT VITON
MAX CURRENT:	9A
CONTACT SIZE:	17 x 1.0mm
MAXIMUM VOLTAGE:	125V AC/DC
CONTACT RESISTANCE:	<5
TEST VOLTAGE: (BETWEEN CONTACTS)	2500V
MAXIMUM MATING CYCLES:	>50