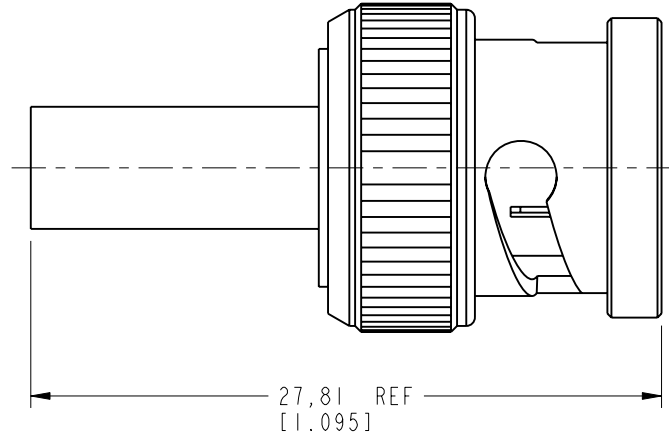


NOTES:

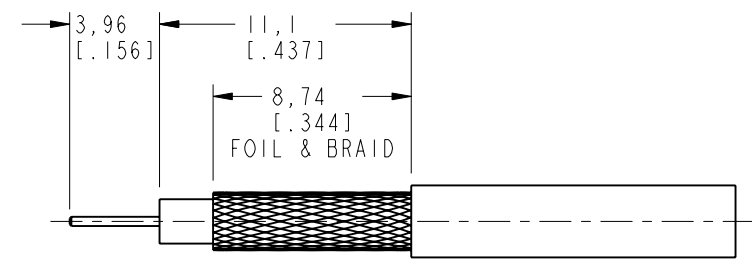
1. MATERIALS AND FINISHES:
 BODY - PHOSPHOR BRONZE, NICKEL PLATING
 CONTACT - BRASS, GOLD PLATING
 FERRULE & SHELL - BRASS, NICKEL PLATING
 INSULATOR - PTFE
2. ELECTRICAL:
 A. IMPEDANCE: 75 OHM
 B. FREQUENCY RANGE: DC - 4 GHz
 C. VSWR(RETURN LOSS): 1.3 MAX.
 D. DIELECTRIC WITHSTANDING VOLTAGE: 1500 VRMS, MIN.
3. MECHANICAL:
 A. DURABILITY: 500 CYCLES MIN.
 B. TEMPERATURE RANGE: -65° C TO +165° C
4. FERRULE TO BE CRIMPED WITH A .178 HEX DIE.
 CONTACT TO BE CRIMPED WITH A .042 SQUARE DIE
 OR A 8 PT CRIMPER AMPHENOL NUMBER 227-T1200
5. SHOWS CABLE ENTRY DIMENSIONS.

THIRD ANGLE PROJ.

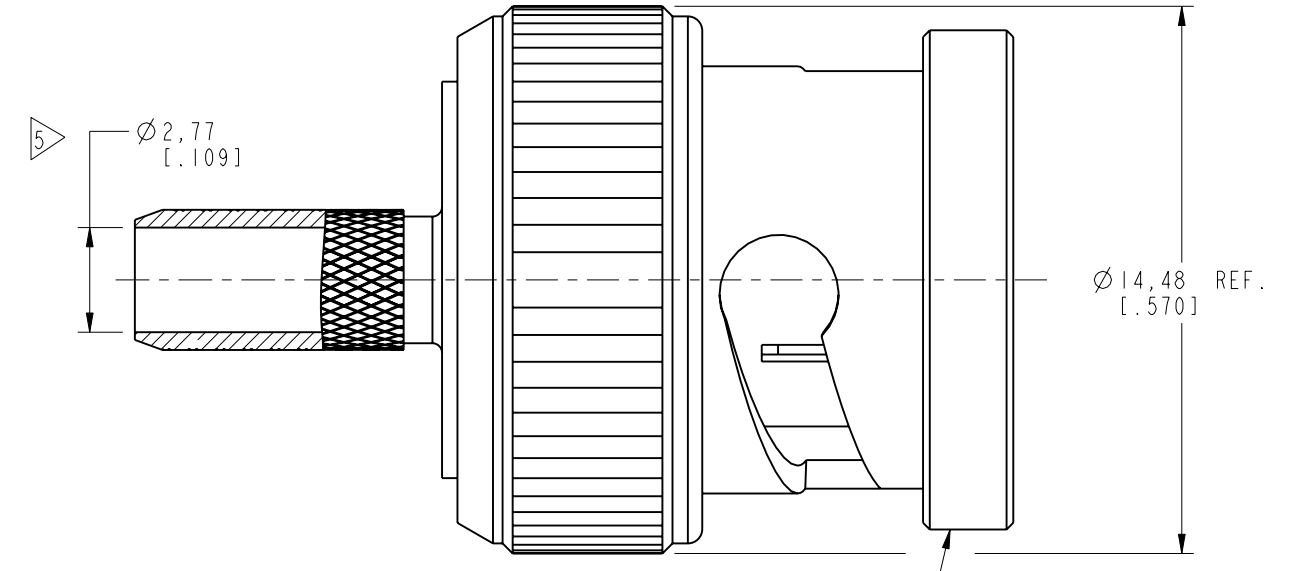
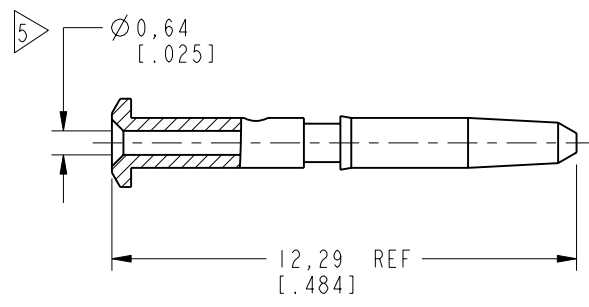
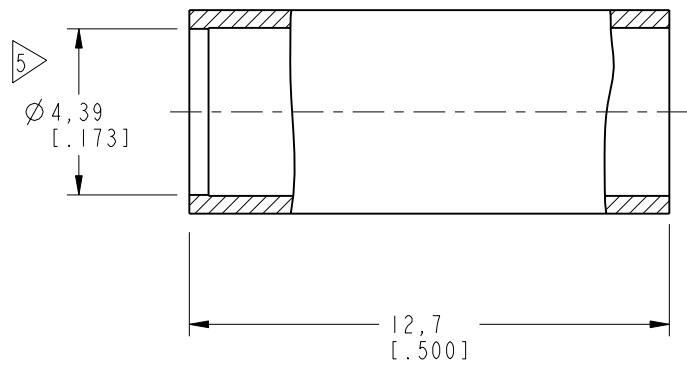
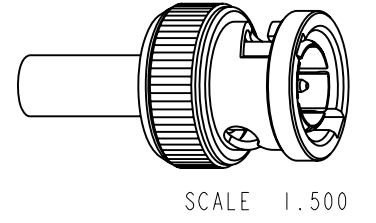
| REVISIONS | | | | |
|-----------|---|-----------|-------|-------|
| REV | DESCRIPTION | DATE | ECO | APPR |
| A | RELEASE TO MFG | 9/12/06 | 45950 | SX |
| B | ADDED CRIMP TOOL NOTE | 5/11/06 | 46083 | CPM |
| C | FERRULE WAS CHANGED | | 46329 | GSA |
| D | NOTE 4 WAS CHANGED\ RD-DM09081101K | 8/21/09 | 46681 | SH |
| E | INSIDE SPRING\ RD-DM09090201K | 9/15/09 | 47768 | SH |
| F | NOTE 4:227-T1200 WAS CTL-T1200\RD-DM110704011 | 15-Jul-11 | 48649 | DH |
| G | STAMP WAS CHANGED/RD-DM110825011 | 05-Sep-11 | 48757 | SCOTT |



AFTER ASSEMBLY DIMENSIONS



RECOMMENDED CABLE STRIPPING DIMENSIONS



STAMP: APH 31-80102 WWYY
 DATE CODE

CUSTOMER OUTLINE DRAWING
 ALL OTHER SHEETS ARE FOR INTERNAL USE ONLY

| | | | | | |
|--|---|-------------|-----------|---|---|
| UNLESS OTHERWISE SPECIFIED, DIMENSIONS ARE IN METRIC AND TOLERANCES ARE: <0.5mm ±0.05mm 0.5 - 6mm ±0.1mm 6 - 30mm ±0.2mm 30 - 120mm ±0.3mm ANGLES ±1° | MATERIAL | DRAWN | DATE | TITLE 75 OHM BNC PLUG FOR BELDEN 8218 CABLE | Amphenol RF Danbury CT USA, Tainan, Taiwan, Shenzhen, China www.amphenolrf.com |
| | SEE NOTE | I.XU | 25-Aug11 | | |
| NOTICE - These drawings, specifications, or other data (1) are, and remain the property of Amphenol corp. (2) must be returned upon request; and (3) are confidential and not to be disclosed to any person other than those to whom they are given by Amphenol Corp. the finishing of these drawings, specifications, or other data by Amphenol Corp., or to any other person to anyone for any purpose is not to be regarded by implication or otherwise in any manner licensing, granting rights to permitting such holder or any other person to manufacture, use or sell any product, process or design, patented or otherwise, that may in any way be related to or disclosed by said drawings, specifications, or other data. | REFERENCE | ENGINEER | DATE | SCALE: 5.0:1.0 | SHEET 2 OF 2 |
| | EAR # 1674 AND 611x-3996 | G. ANTONINI | 03-Mar-05 | | |
| | CONFIGURATION LEVEL: <input type="checkbox"/> <input type="checkbox"/> <input type="checkbox"/> | APPROVED | S. HSIEH | DATE | DWG SIZE |
| FINISH | | | 05-Sep-11 | B | G |
| | | | | | DRAWING NO. 31-80102 |
| | | | | | ITEM NO. 31-80102 |
| | | | | | PART NO. 31-80102 |