

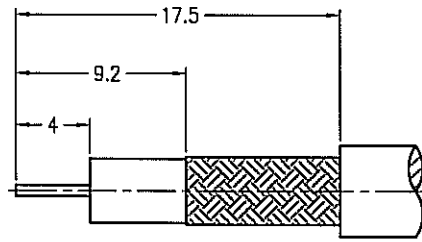
NOTES:

1. MATERIALS AND FINISHES  
 BODY - BRASS, NICKEL PLATING  
 CONTACT - PHOSPHOR BRONZE, GOLD PLATING  
 INSULATOR - PTFE
2. ELECTRICAL:  
 A. IMPEDANCE: 50 OHM  
 B. FREQUENCY RANGE: DC 0-6 GHz  
 C. DIELECTRIC WITHSTANDING VOLTAGE: 1000 VRMS, MIN.
3. MECHANICAL:  
 A. DURABILITY: 500 CYCLES MIN.  
 B. TEMPERATURE RANGE: - 65°C to +165°C
4. CRIMPED FERRULE  
 HEX CRIMP SIZE .256"
5. CRIMPED CONTACT PIN  
 HEX CRIMP SIZE .068"

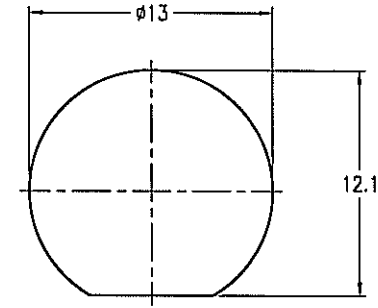
THIRD ANGLE PROJ.

REVISIONS

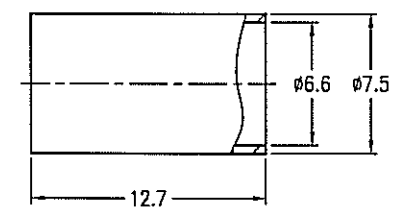
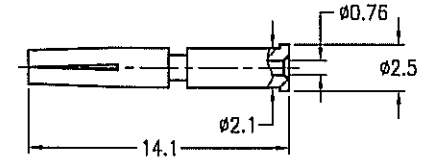
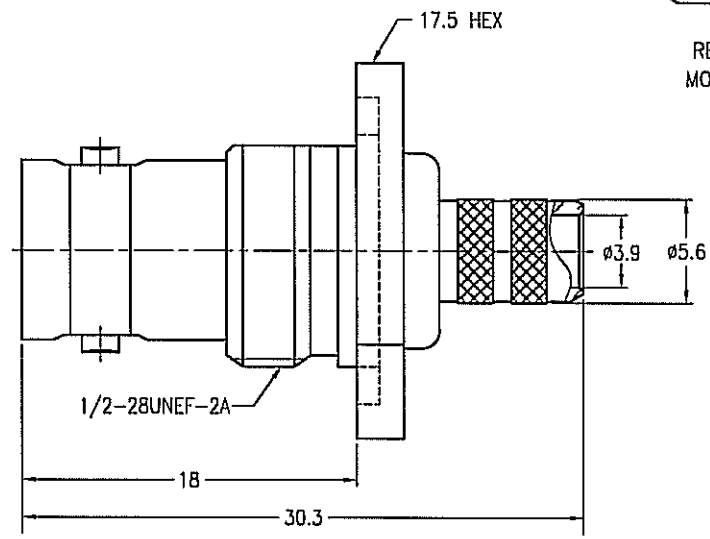
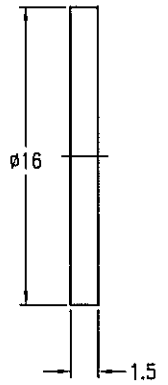
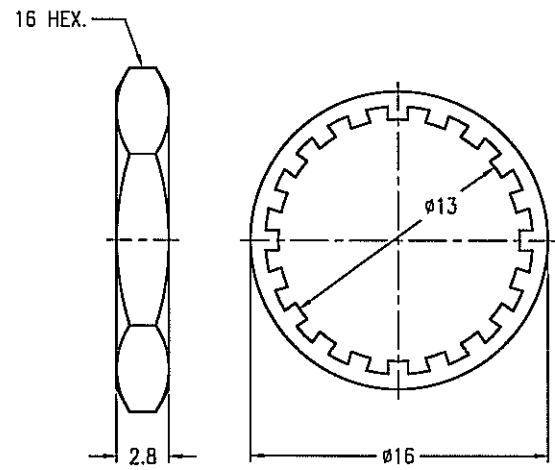
REV	DESCRIPTION	DATE	ECO	APPR
A	RELEASE TO MFG.	20-Mar-08	--	JOHNSON
B	REDRAWN TO UPDATE FORMAT	28-Jul-28	47078	SHE



RECOMMENDED  
CABLE STRIPPING DIM'S



RECOMMENDED  
MOUNTING HOLE



**CUSTOMER OUTLINE DRAWING**

ALL OTHER SHEETS ARE FOR INTERNAL USE ONLY

UNLESS OTHERWISE SPECIFIED, DIMENSIONS ARE IN METRIC AND TOLERANCES ARE:  
 0.5 - 6mm ±0.1mm    6 - 30mm ±0.2mm    30 - 120mm ±0.3mm    ANGLES ±1°

NOTICE - These drawings, specifications, or other data (1) are, and remain the property of Amphenol Corp. (2) must be returned upon request; and (3) are confidential and not to be disclosed to any person other than those to whom they are given by Amphenol Corp. The furnishing of these drawings, specifications, or other data by Amphenol Corp., or to any other person to anyone for any purpose is not to be regarded by implication or otherwise in any manner licensing, granting rights or permitting such holder or any other person to manufacture, use or sell any product, process or design, patented or otherwise, that may in any way be related to or disclosed by said drawings, specifications, or other data.

MATERIAL	DRAWN	DATE	TITLE			Amphenol RF Danbury CT USA, Tainan Taiwan, Shenzhen China www.amphenolrf.com
	KERRY	31-May-00	BNC BULKHEAD CRIMP JACK			
REFERENCE	ENGINEER	DATE	SCALE: 2.5/1			DRAWING NO. B6421A1-NT3G-59U-50
	ROBIN	31-May-00	SHEET 2 OF 2			ITEM NO. 016421AAK59NA5F
FINISH	APPROVED	DATE	DWG SIZE	CODE ID	REV	PART NO. 031-5936-RFX
	JOHNSON	31-May-00	B	74868	B	
	CAD FILE	F:\DWG\B\6421A1\59U-50\NT3G-BSZ				