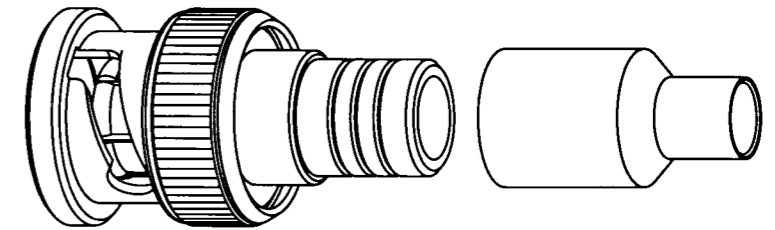


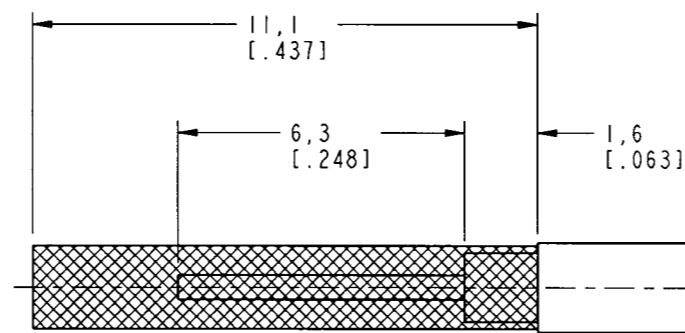
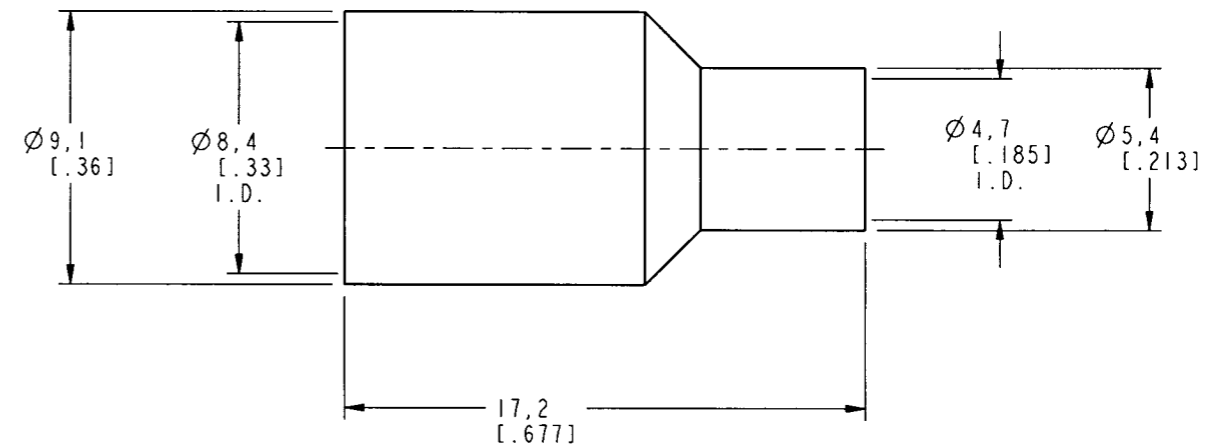
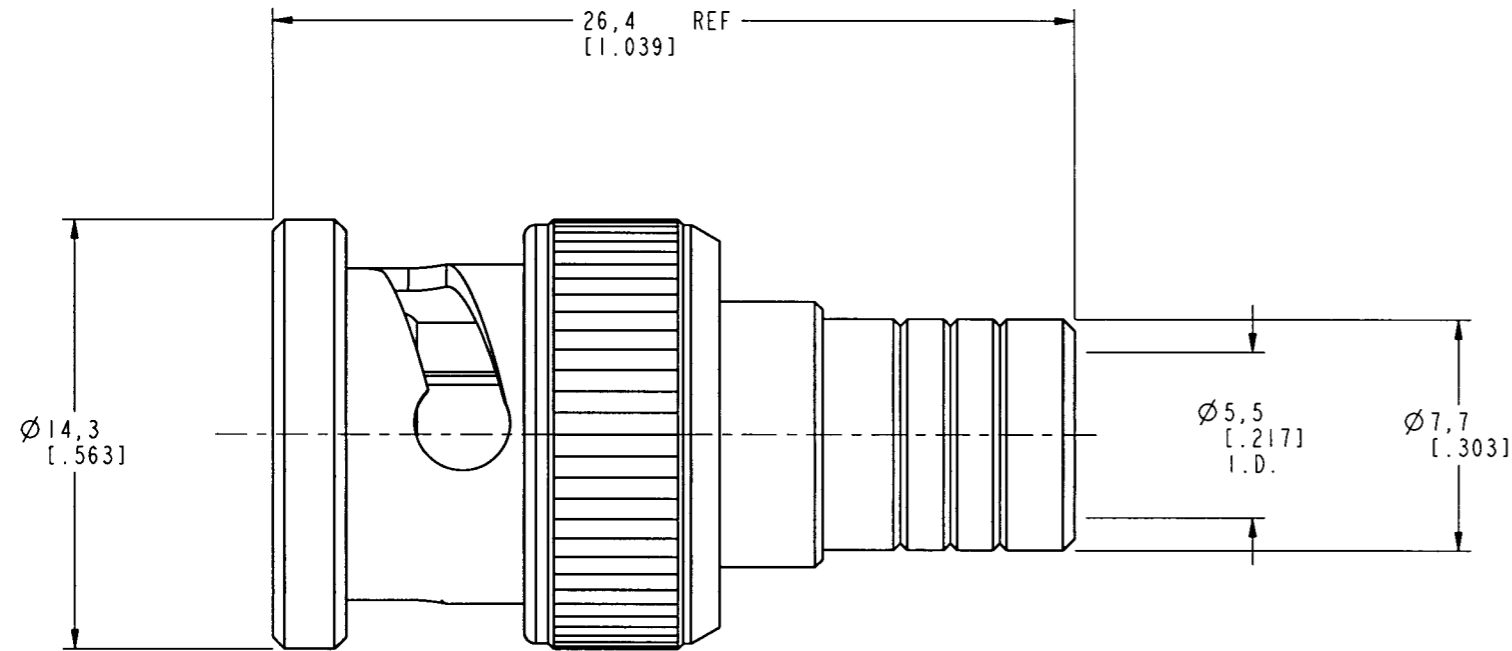
NOTES:

- MATERIALS OF CONSTRUCTION:
 SHELL = ZINC DIECAST, NICKEL PLATED
 WASHER, FERRULE, BODY & RETAINING RING = BRASS, NICKEL PLATED
 CONTACT PIN = BRASS, GOLD PLATED
 INSULATORS = DELRIN, COLOR NATURAL
 GASKET = RUBBER, COLOR RED
 SPRING = COPPER, NICKEL PLATED.
- USE AMPHENOL CRIMP TOOL #CTL-2.

31-5559-RFX		REVISIONS			
DRAWING NO.	REV	DESCRIPTION	DATE	ECO	APPR
THIRD ANGLE PROJ.	--	RELEASE TO MFG.			
	B	SEE SHEET 1	4/13/00	43289	CPM



SCALE 2.000



RECOMMENDED CABLE
 STRIPPING DIM'S.
 SCALE : 6.000

CUSTOMER OUTLINE DRAWING
FOR REFERENCE ONLY

UNLESS OTHERWISE SPECIFIED, DIMENSIONS ARE IN INCHES AND TOLERANCES ARE: 0.5 - 6mm ±0.2mm 6 - 30mm ±0.4mm 30 - 120mm ± 0.6mm	MATERIAL	DRAWN C. McGRATH	DATE 16-Mar-00	TITLE BNC CRIMP PRESS-FIT PLUG GOT PLENUM 58 CABLE 50 OHM	Amphenol Amphenol Corporation Communication and Network Products Division Danbury, CT U.S.A. 06810
	REFERENCE EAR 962370 EAR 967484-0 GEN# ASSYM9_BNC	ENGINEER T. AUBIN	DATE 16-Mar-00	APPROVED 	
NOTICE - These drawings, specifications, or other data (1) are, and remain the property of Amphenol Corp. (2) must be returned upon request; and (3) are confidential and not to be disclosed to any person other than those to whom they are given by Amphenol Corp. The furnishing of these drawings, specifications, or other data by Amphenol Corp., or to any other person to anyone for any purpose is not to be regarded by implication or otherwise in any manner licensing, granting rights or permitting such holder or any other person to manufacture, use or sell any product, process or design, patented or otherwise, that may in any way be related to or disclosed by said drawings, specifications, or other data.	CAD FILE I:\BNC\31-5559-RFX	CODE ID 74868	DWG SIZE B	DRAWING NO. 31-5559-RFX	REV B