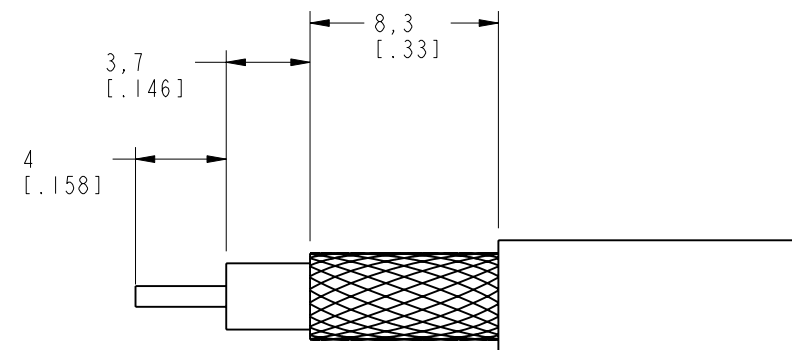
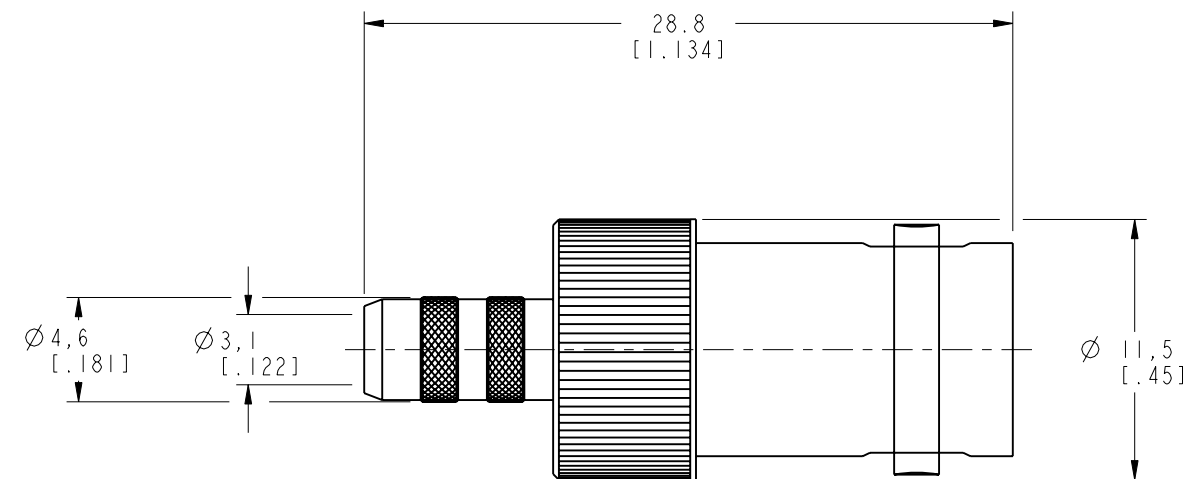
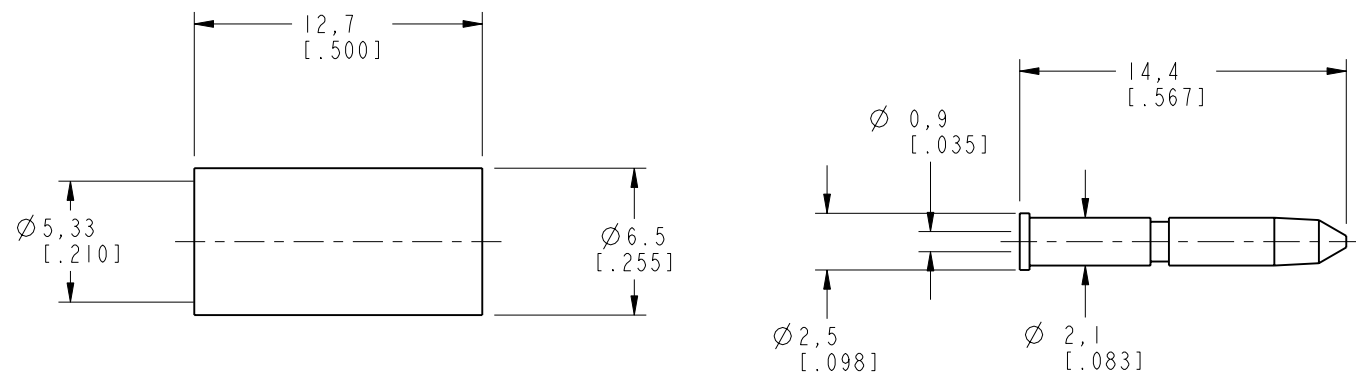
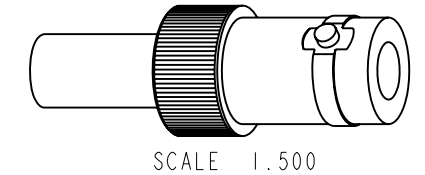


NOTES:

- MATERIALS OF CONSTRUCTION:  
 HOUSING & BODY = BRASS, NICKEL PLATED  
 CONTACT PIN = BRASS, GOLD PLATED  
 FERRULE = COPPER, NICKEL PLATED  
 INSULATOR = TEFLON PER MIL-P-19468
- CRIMPED FERRULE = HEX CRIMP SIZE .213  
 CRIMPED CONTACT PIN = HEX CRIMP SIZE .068

31-6035		REVISIONS			
DRAWING NO.	REV	DESCRIPTION	DATE	ECO	APPR
THIRD ANGLE PROJ.	A	RELEASE TO MFG.	5/15/00	43362	CPM
	B	CORRECTED VIEW OF CONTACT	3/21/01	43715	CPM
	C	CONTACT ID SHOULD BE .035	5/9/01	43758	CPM
	D	RG 58 - ADDITION TO DESCRIPTION	2/11/08	46922	VC



**CUSTOMER OUTLINE DRAWING**  
 ALL OTHER SHEETS ARE FOR INTERNAL USE ONLY

UNLESS OTHERWISE SPECIFIED, DIMENSIONS ARE IN MM (INCHES) AND TOLERANCES ARE:  
 0.5 - 6mm ±0.2mm  
 6 - 30mm ±0.4mm  
 30 - 120mm ±0.6mm

NOTICE - These drawings, specifications, or other data (1) are, and remain the property of Amphenol Corp. (2) must be returned upon request; and (3) are confidential and not to be disclosed to any person other than those to whom they are given by Amphenol Corp. The furnishing of these drawings, specifications, or other data by Amphenol Corp., or to any other person to anyone for any purpose is not to be regarded by implication or otherwise in any manner licensing, granting rights or permitting such holder or any other person to manufacture, use or sell any product, process or design, patented or otherwise, that may in any way be related to or disclosed by said drawings, specifications, or other data.

MATERIAL	DRAWN	DATE	TITLE
	C. McGRATH	05-May-00	BNC REVERSE POLARITY CRIMP JACK
	ENGINEER	DATE	RG 58
	T. AUBIN	05-May-00	RG 58 STANDARD CABLE
REFERENCE	APPROVED	DATE	
EAR 967550-0	T. AUBIN	10-May-00	
GEN# 31-6031_ASSY	CAD FILE	CODE ID	DWG SIZE
	I:\BNC\31-6035	74868	B

DRAWING NO.	DRAWING NO.
31-6035	31-6035

DRAWING NO.	DWG SIZE	DRAWING NO.
31-6035	B	31-6035

Amphenol	
Amphenol Corporation Communication and Network Products Division Danbury, CT U.S.A. 06810	
SCALE: 3.0:1	SHEET 2 OF 2
REV D	