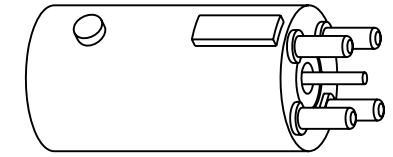


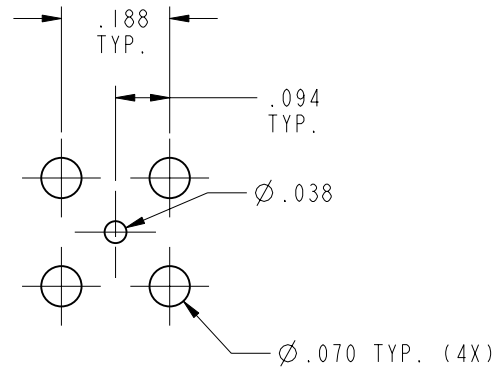
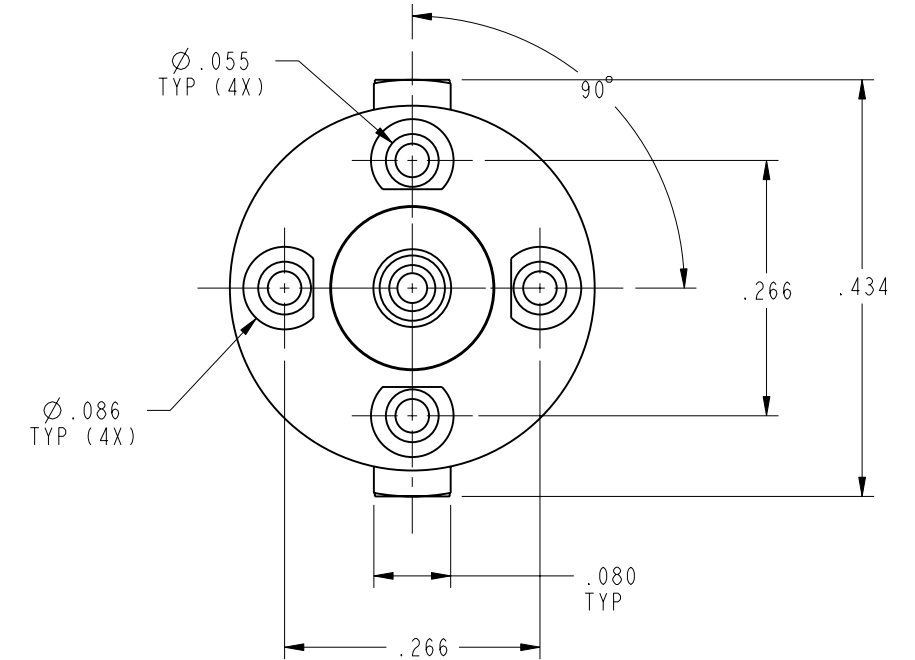
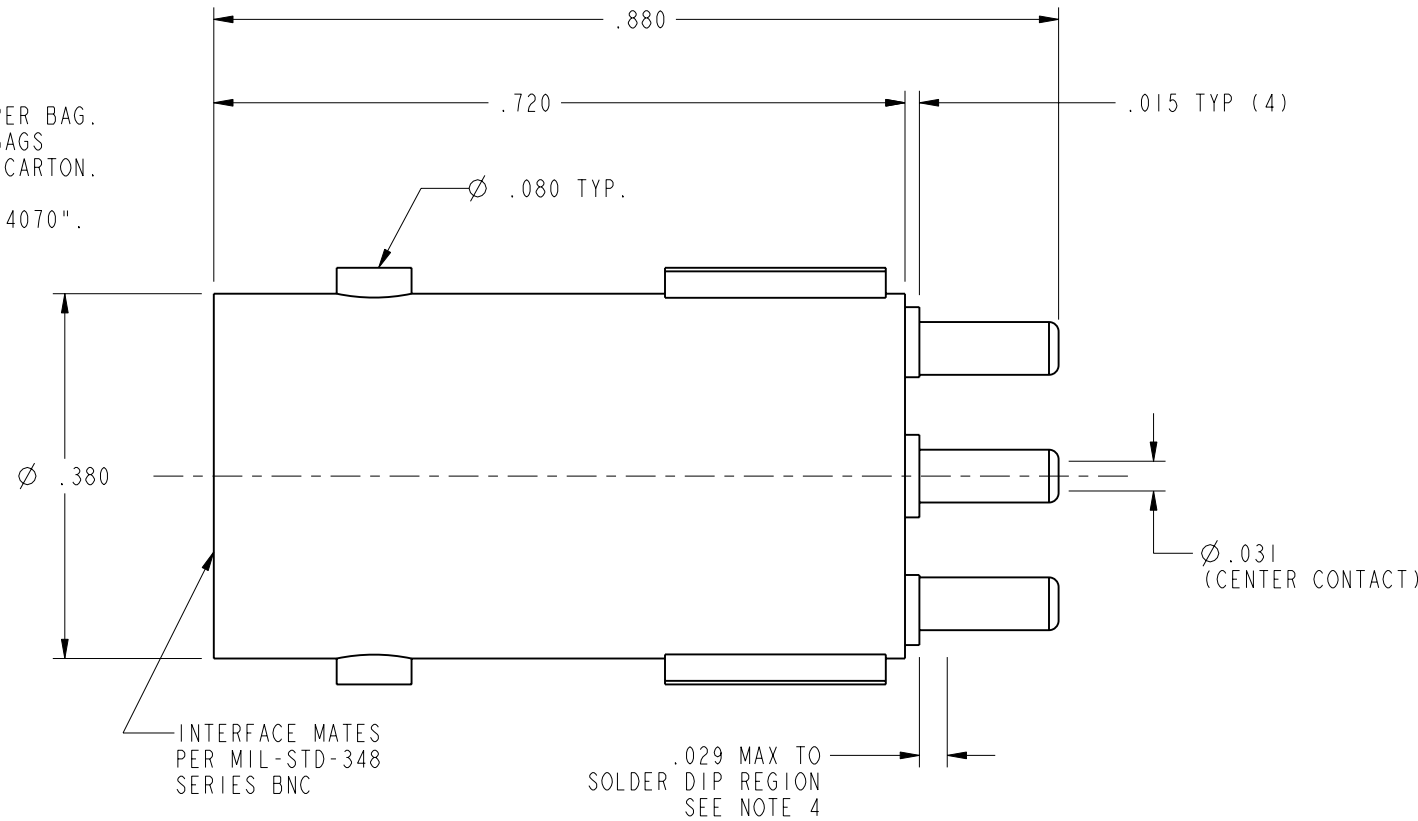
NOTES:

1. MATERIALS AND FINISHES:
 BODY = ZINC DIE CAST, NICKEL PLATED
 CONTACT = BeCu, GOLD PLATED
 INSULATOR = PTFE
2. ELECTRICAL:
 A. IMPEDANCE: 75 OHM
 B. FREQUENCY RANGE: DC TO 4 GHz
 C. DIELECTRIC WITHSTANDING VOLTAGE: 1500 VRMS MIN.
 D. INSULATION RESISTANCE: 5,000 MEGOHMS MIN.
3. MECHANICAL:
 B. DURABILITY: 500 CYCLES MIN.
 A. TEMPERATURE RANGE: -65 C TO 165 C
4. SOLDER POSTS ON BODY SHALL BE SOLDER (SN63)
 DIPPED TO DIMENSION SHOWN ON THE LENGTH OF
 THE .145 LEGS. SOLDER THICKNESS SHALL BE
 .0003 MIN PER MIL-STD-202 METHOD 208.
 DIAMETER OF LEGS TO BE .060 MAXIMUM.
 SOLDER SHALL NOT TOUCH BODY.
5. PACKAGING:
 A. QUANTITY: PACKAGE CONNECTORS 25 PER BAG.
 BAG TO BE BUBBLE WRAPPED. PACK BAGS
 IN A TOTAL OF 400 CONNECTORS PER CARTON.
 B. MARKING: PLACE LABEL ON FINAL
 CARTON MARKED 'AMPHENOL 31-71062-4070'.

31-71062-4070		REVISIONS			
DRAWING NO.	REV	DESCRIPTION	DATE	ECO	APPR
THIRD ANGLE PROJ.	B	RELEASE TO MFG.	10/24/00	43569	CPM
	C	UPDATED SOLDER DIP REGION AND NOTES	3/8/01	43636	CPM
	D	NOTE 4 LEAD FREE WAS (SN63)	9/25/06	46162	CPM
	E	NOTE 4 (SN63) WAS LEAD FREE	10/13/06	46314	CPM



SCALE 2.000



RECOMMENDED MOUNTING
 HOLE LOCATIONS
 SCALE 3.000

CUSTOMER OUTLINE DRAWING

ALL OTHER SHEETS ARE FOR INTERNAL USE ONLY

UNLESS OTHERWISE SPECIFIED, DIMENSIONS ARE IN INCHES AND TOLERANCES ARE: 2 PLACE DECIMAL ±.015 (0,381 mm) 3 PLACE DECIMAL ±.005 (0,127 mm) ANGLES ± 1°	MATERIAL	DRAWN C. McGRATH	DATE 19-Oct-00	TITLE BNC JACK RECEPTACLE FOR P.C.B. BULKPACKED	Amphenol RF Danbury, CT, USA Tainan, Taiwan Shenzhen, China www.amphenolrf.com
	REFERENCE EAR 967663-0 GEN# ASSY2_BNC	ENGINEER O. BARTHELME	DATE 19-Oct-00		
NOTICE - These drawings, specifications, or other data (1) are, and remain the property of Amphenol Corp. (2) must be returned upon request; and (3) are confidential and not to be disclosed to any person other than those to whom they are given by Amphenol Corp. The furnishing of these drawings, specifications, or other data by Amphenol Corp., or to any other person to anyone for any purpose is not to be regarded by implication or otherwise in any manner licensing, granting rights or permitting such holder or any other person to manufacture, use or sell any product, process or design, patented or otherwise, that may in any way be related to or disclosed by said drawings, specifications, or other data.		CAD FILE I:\BNC\31-71062-4070	CODE ID 74868	DWG SIZE B	DRAWING NO. 31-71062-4070
					SCALE: 5.0:1
					REV E