

NOTES:

1. MATERIALS AND FINISHES:

BODY, LOCKWASHER & HEX NUT - BRASS (ASTM-B16 H02, C36000), NICKEL PLATING
 CONTACT PIN - PHOSPHOR BRONZE, GOLD PLATING
 INSULATOR - PTFE PER ASTM D 1710 OR EQUIV.
 GASKET - SILICONE RUBBER, COLOR RED
 FERRULE - COPPER, NICKEL PLATING

2. ELECTRICAL:

A. IMPEDANCE: 75 OHM
 B. FREQUENCY RANGE: DC - 4 GHz

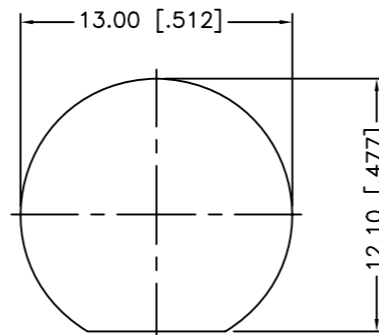
3. MECHANICAL:

A. TEMPERATURE RANGE: -65° C TO +165° C

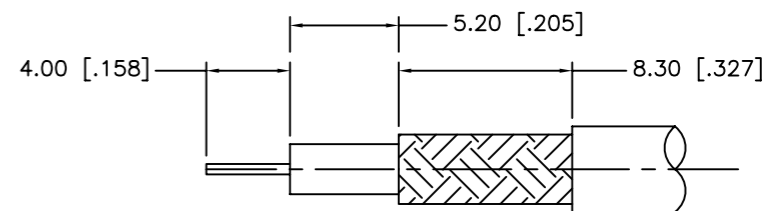
4. PACKAGING:

A. QUANTITY: SINGLE PACK
 B. MARKING: BAG TO BE MARKED
 *AMPHENOL, 31-70298, AND DATE CODE

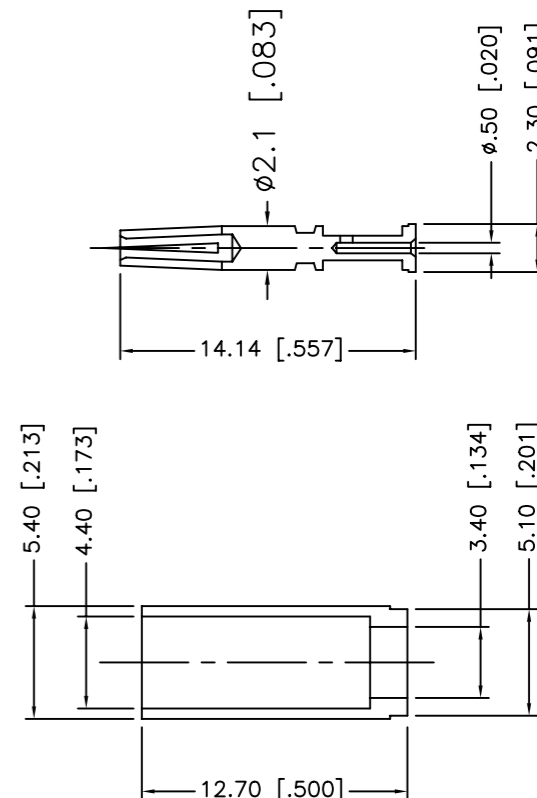
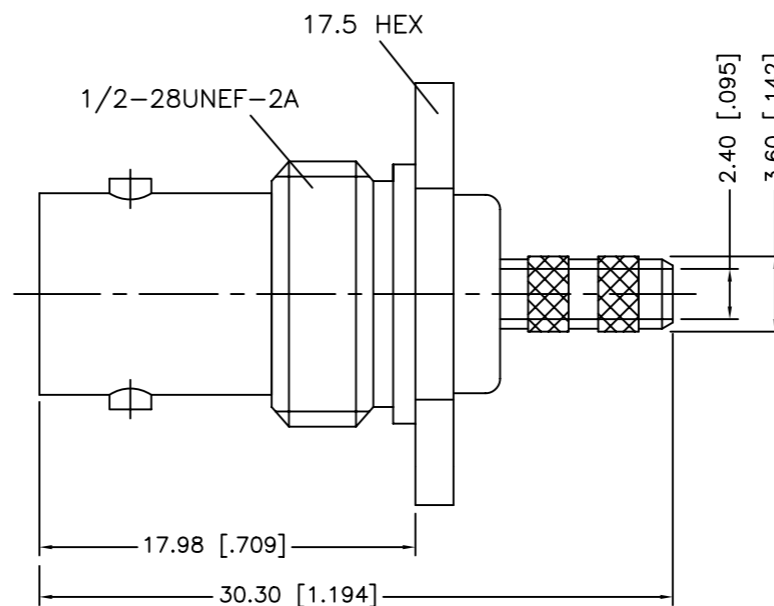
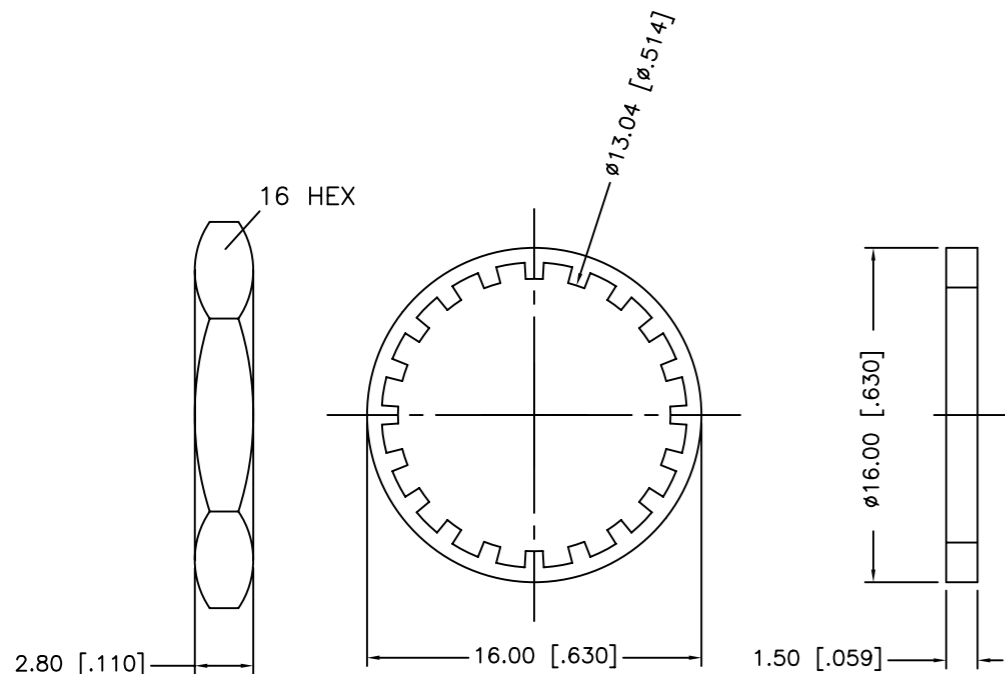
31-70298		REVISIONS			
DRAWING NO.	REV	DESCRIPTION	DATE	ECO	APPR
THIRD ANGLE PROJ.	A	RELEASE TO MFG.	8/30/06	46225	CPM/



RECOMMENDED MOUNTING HOLE



RECOMMENDED CABLE STRIPPING DIM'S



UNLESS OTHERWISE SPECIFIED, DIMENSIONS ARE IN INCHES AND TOLERANCES ARE:
 2 PLACE DECIMAL 3 PLACE DECIMAL ANGLES
 ±.015 (0,381 mm) ±.005 (0,127 mm) ± 1°

NOTICE - These drawings, specifications, or other data (1) are, and remain the property of Amphenol Corp. (2) must be returned upon request; and (3) are confidential and not to be disclosed to any person other than those to whom they are given by Amphenol Corp. The furnishing of these drawings, specifications, or other data by Amphenol Corp., or to any other person to anyone for any purpose is not to be regarded by implication or otherwise in any manner licensing, granting rights or permitting such holder or any other person to manufacture, use or sell any product, process or design, patented or otherwise, that may in any way be related to or disclosed by said drawings, specifications, or other data.

MATERIAL	DRAWN	DATE	TITLE	Amphenol Amphenol Corporation RF/Microwave Operations Danbury, Conn. U.S.A. 06810
	C. McGRATH	5/6/05		
REFERENCE	ENGINEER	DATE	BNC BULKHEAD CRIMP JACK (FOR AT&T 735A CABLE - 75ohm)	SCALE: 2:1 SHEET OF
	D. BARTHELMES	5/6/05		
	APPROVED	DATE	CODE ID	DWG SIZE
	D. BARTHELMES	8/16/06	74868	B
	CAD FILE	H:\DEPT611\BNC\031\ASSY\70298	DRAWING NO.	ISSUE
			31-70298	A