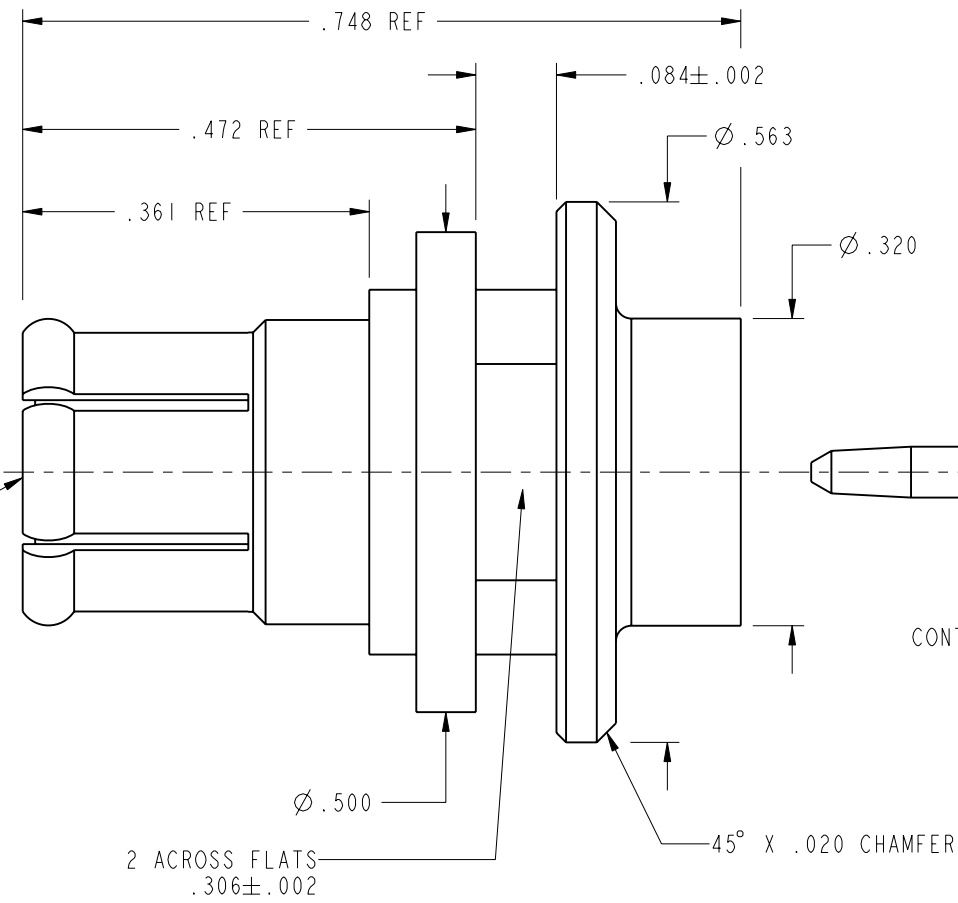
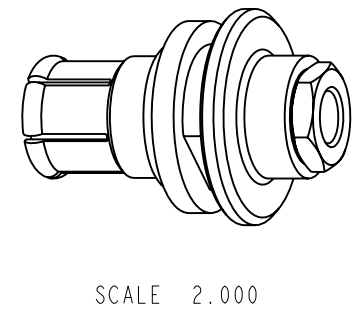
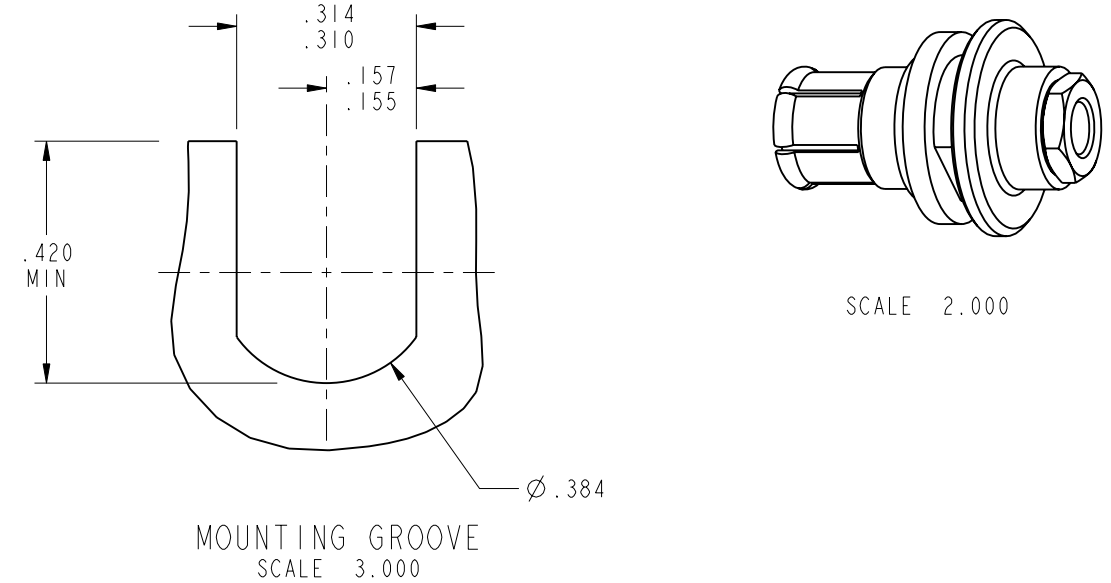
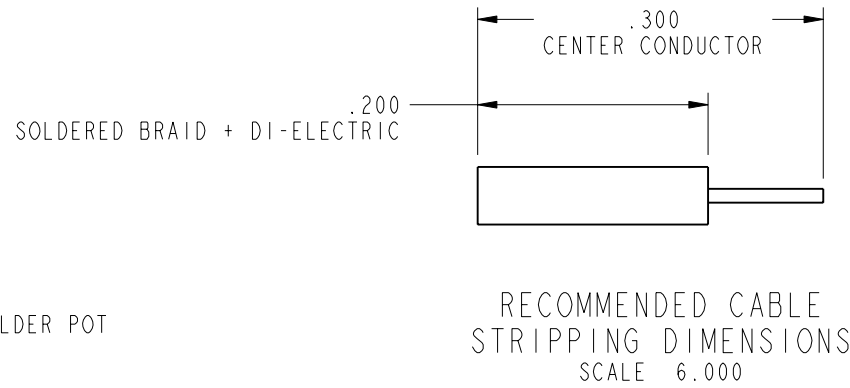


NOTES:

1. MATERIALS AND FINISHES:
 - BODY, BACK NUT - BRASS, NICKEL PLATING
 - CONTACT - BeCu, GOLD PLATING (.000030 THICK)
 - OUTER-CONTACT - BRASS, NICKEL PLATING
 - FERRULE - BRASS, SILVER PLATING
 - INSULATORS - PTFE
2. ELECTRICAL:
 - A. IMPEDANCE: 50 OHM
 - B. FREQUENCY RANGE: DC - 3 GHz
 - C. RETURN LOSS: 25 dB MAX.
 - D. DIELECTRIC WITHSTANDING VOLTAGE: 500 VRMS, MIN.
3. MECHANICAL:
 - A. DURABILITY: 500 CYCLES MIN.
 - B. TEMPERATURE RANGE: -65° C TO +165° C
4. PACKAGING:
 - A. QUANTITY: SINGLE PACK
 - B. MARKING: BAG TO BE MARKED
"AMPHENOL, 31-6244, AND DATE CODE"
5. CABLE ENTRY DIMENSIONS.
6. CABLE ASSEMBLY INSTRUCTIONS:
 - A. PEEL THE PLASTIC FOIL BACK TO .600"
 - B. PEEL THE ALUMINUM FOIL BACK TO .300"
 - C. SOLDER DIP THE TRIMMED CABLE WITH BRAID IN THE LEAD FREE SOLDER POT
 - D. STRIPPED THE CABLE PER CABLE STRIPPING DIMENSIONS
 - E. SLIDE THE BACK NUT OVER STRIPPED CABLE
 - F. SOLDER THE CABLE TO THE FERRULE
 - G. SLIDE THE INSULATOR DISC ON THE CALBE AND SOLDER THE CENTER CONDUCTOR
NO GAP IS ALLOWED BETWEEN THE CONTACT, INSULATOR DISC, AND SOLDER FERRULE
 - H. THREAD BACK NUT INTO BODY AND TORQUE TO 15 IN-LB MIN

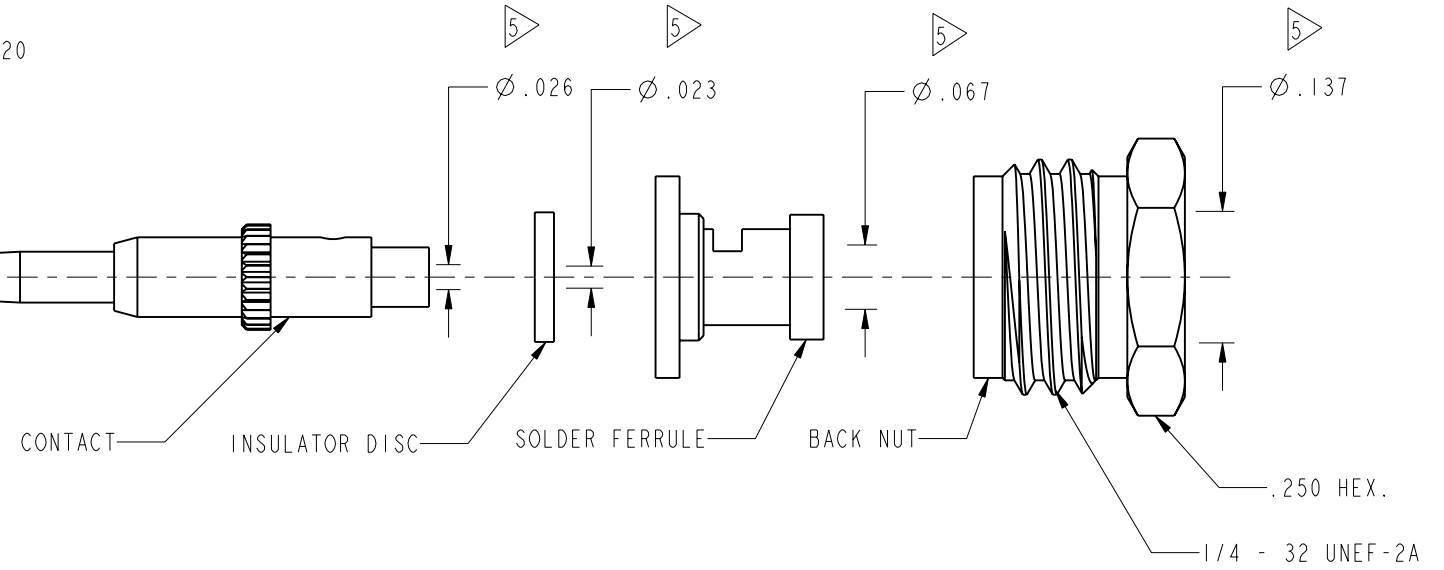
31-6244

DRAWING NO.		REVISIONS			
REV	DESCRIPTION	DATE	ECO	APPR	
A	RELEASE TO MFG.	8/18/05	45667	HP	
B	A) CHANGED OUTER CONTACT MATL. TO BRASS WAS: BeCu B) SLOT .084± .002 WAS : .084	9/23/05	45739	HP	
C	A) KNURL CONTACT, B) ADD DETAIL NOTE 6G, AND C) ADD .020 CHAMFER.	8/7/06	46208	MY	



CUSTOMER OUTLINE DRAWING

ALL OTHER SHEETS ARE FOR INTERNAL USE ONLY



INTERFACE PER:
MIL-STD-348
SERIES: BNC, PLUG
EXCEPTION-NO COUPLING NUT

UNLESS OTHERWISE SPECIFIED, DIMENSIONS ARE IN INCHES AND TOLERANCES ARE: 2 PLACE DECIMAL ±.015 (0,381 mm) 3 PLACE DECIMAL ±.005 (0,127 mm) ANGLES ± 1°	MATERIAL	DRAWN H. PARIKH	DATE 04-Aug-05	TITLE BNC PLUG FOR COMPOSITE CABLE		Amphenol RF Danbury, CT, USA Tainan, Taiwan Shenzhen, China www.amphenolrf.com	
	REFERENCE	ENGINEER H. PARIKH	DATE 04-Aug-05				
NOTICE - These drawings, specifications, or other data (1) are, and remain the property of Amphenol Corp. (2) must be returned upon request; and (3) are confidential and not to be disclosed to any person other than those to whom they are given by Amphenol Corp. The furnishing of these drawings, specifications, or other data by Amphenol Corp., or to any other person to anyone for any purpose is not to be regarded by implication or otherwise in any manner licensing, granting rights or permitting such holder or any other person to manufacture, use or sell any product, process or design, patented or otherwise, that may in any way be related to or disclosed by said drawings, specifications, or other data.		APPROVED O. BARTHELMES	DATE 8/11/05	CODE ID 74868	DWG SIZE B	DRAWING NO. 31-6244	SCALE: 5.0:1
							SHEET 2 OF 2
		CAD FILE I:\BNC\31-6244					REV C