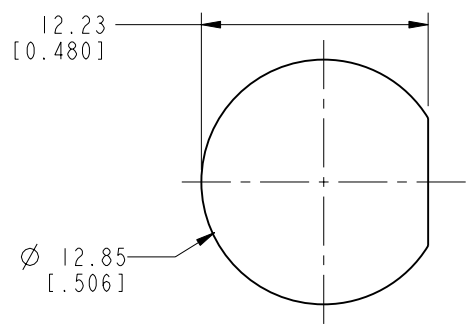


NOTES:

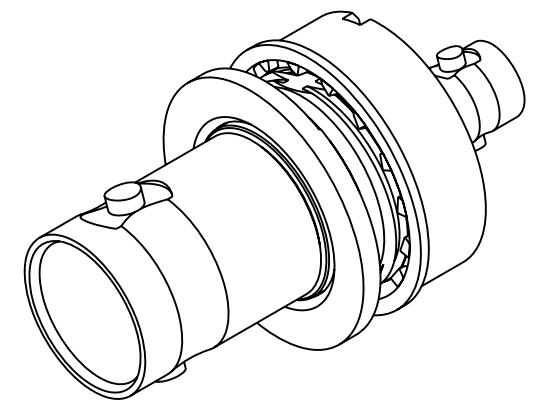
1. MATERIALS AND FINISHES:  
 BODY - BRASS, NICKEL PLATING  
 CONTACT - BERYLLIUM COPPER, GOLD PLATING  
 INSULATOR - PTFE
2. ELECTRICAL:  
 A. IMPEDANCE: 75 OHM  
 B. FREQUENCY RANGE: DC - 3 GHz  
 C. RETURN LOSS: -30 dB MIN @ 3 GHz
3. MECHANICAL:  
 A. DURABILITY: 500 CYCLES MIN.  
 B. TEMPERATURE RANGE: -65° C TO +165° C
4. PACKAGING:  
 A. QUANTITY: SINGLE PACK  
 B. MARKING: BAG TO BE MARKED  
 "AMPHENOLRF, APH-HD-ISO-BNC AND DATE CODE"



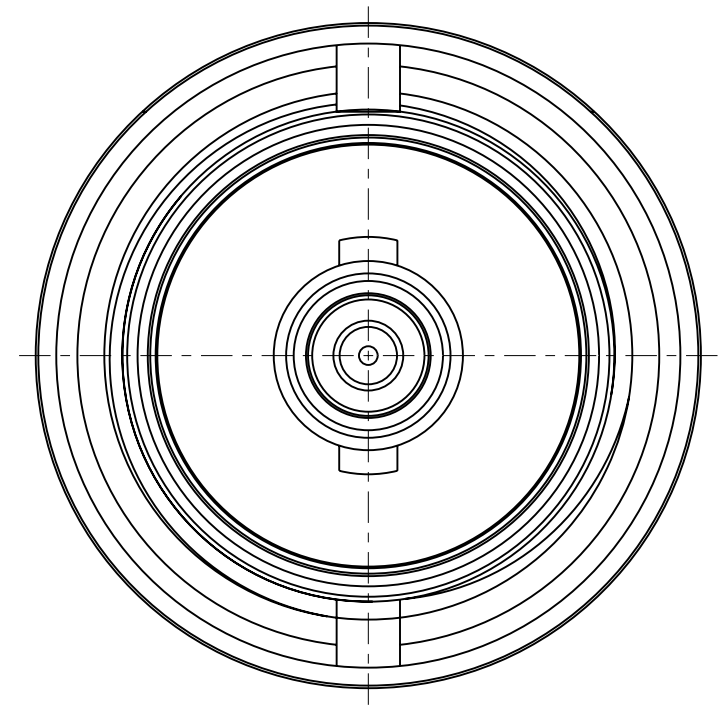
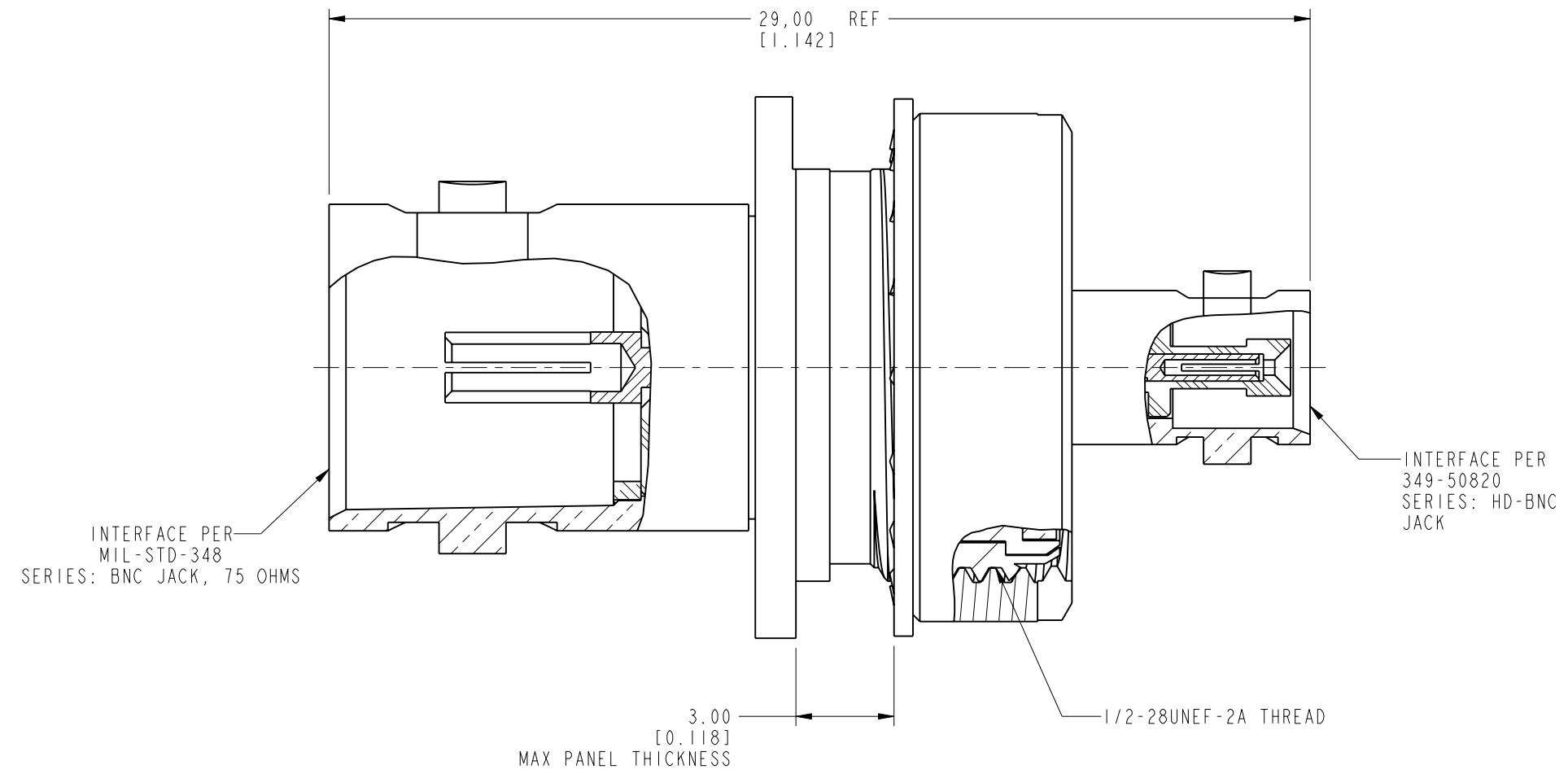
**SCALE 2.500**  
**RECOMMENDED PCB**  
**DIMENSIONS**

THIRD ANGLE PROJ.

REVISIONS				
REV	DESCRIPTION	DATE	ECO	APPR
A	RELEASE TO MFG	4/1/11	48505	CL
B	ADDED FLANGE, CHANGED LOCKWASHER AND NUT, PCB DIM. WAS 12.40	15-Jun-11	48638	MJS



SCALE 2.500



**CUSTOMER OUTLINE DRAWING**  
 ALL OTHER SHEETS ARE FOR INTERNAL USE ONLY

UNLESS OTHERWISE SPECIFIED, DIMENSIONS ARE IN METRIC AND TOLERANCES ARE: <0.5mm ±0.05mm    0.5 - 6mm ±0.1mm    6 - 30mm ±0.2mm    30 - 120mm ±0.3mm    ANGLES ±1°	MATERIAL	DRAWN	DATE	TITLE ISOLATED ADAPTER 75 OHM, BNC BHD JACK TO HD BNC JACK	Amphenol RF www.amphenolrf.com
	SEE NOTES	R. MAO	15-Jun-11		
NOTICE - These drawings, specifications, or other data (1) are, and remain the property of Amphenol corp. (2) must be returned upon request; and (3) are confidential and not to be disclosed to any person other than those to whom they are given by Amphenol Corp. the finishing of these drawings, specifications, or other data by Amphenol Corp., or to any other person to anyone for any purpose is not to be regarded by implication or otherwise in any manner licensing, granting rights to permitting such holder or any other person to manufacture, use or sell any product, process or design, patented or otherwise, that may in any way be related to or disclosed by said drawings, specifications, or other data.	REFERENCE	ENGINEER	DATE	SCALE: 5.5:1.0   SHEET 2 OF 2	DRAWING NO. APH-HD-ISO-BNC
	EAR # 4295 AND EXP:615X-2714-100	PADMANABHAN E	27-Sep-10		
	CONFIGURATION LEVEL: In work	APPROVED	DATE		DWG SIZE
FINISH	S. HSIEH	21-Jun-11		B	B
					ITEM NO. APH-HD-ISO-BNC
					PART NO. APH-HD-ISO-BNC