

NOTES:

1. MATERIALS AND FINISHES:

BODY - BRASS, BRIGHT ACID TIN PLATING (.000200" MIN.)
 OVER NICKEL PLATING (.000100" MIN.)
 CONTACT - BERYLLIUM COPPER, BRIGHT ACID TIN PLATING (.000100" MIN.)
 OVER NICKEL PLATING (.000100" MIN.)
 INSULATOR - PTFE

2. ELECTRICAL:

A. IMPEDANCE: 75 OHM
 B. FREQUENCY RANGE: 5 MHz DC - 1.2 GHz
 C. VSWR(RETURN LOSS): 1.065 (30 dB), MAX.
 D. D.W.V.: 1500 VRMS, MIN.
 E. CURRENT RATING: 1 AMPERE DC, CONTINUOUS
 F. CONTACT RESISTANCE: CENTER = 2.0 MILLIOHMS MAX.
 OUTER = 1.0 MILLIOHMS MAX.

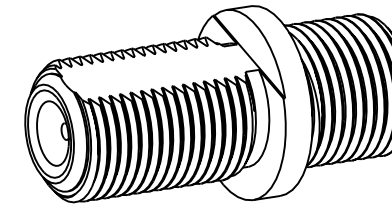
3. MECHANICAL:

A. DURABILITY: 200 CYCLES @ 10 CYCLES/MINUTE
 B. TEMPERATURE RANGE: -40° C TO 85° C

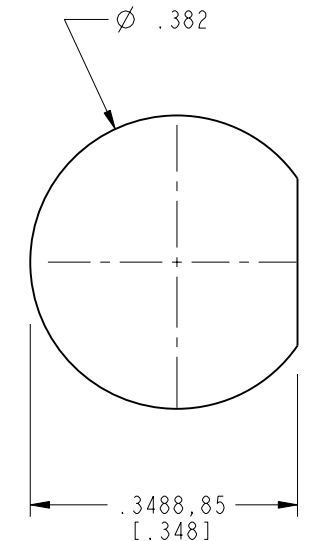
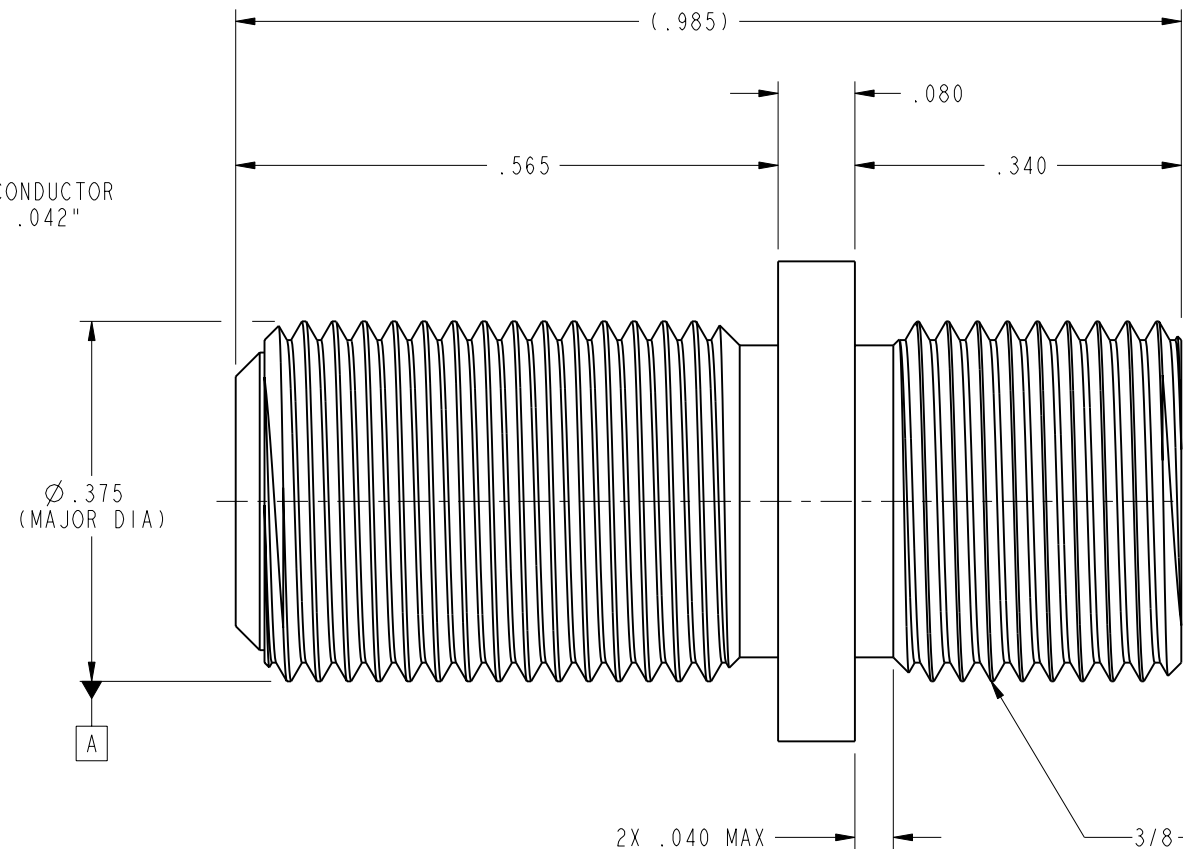
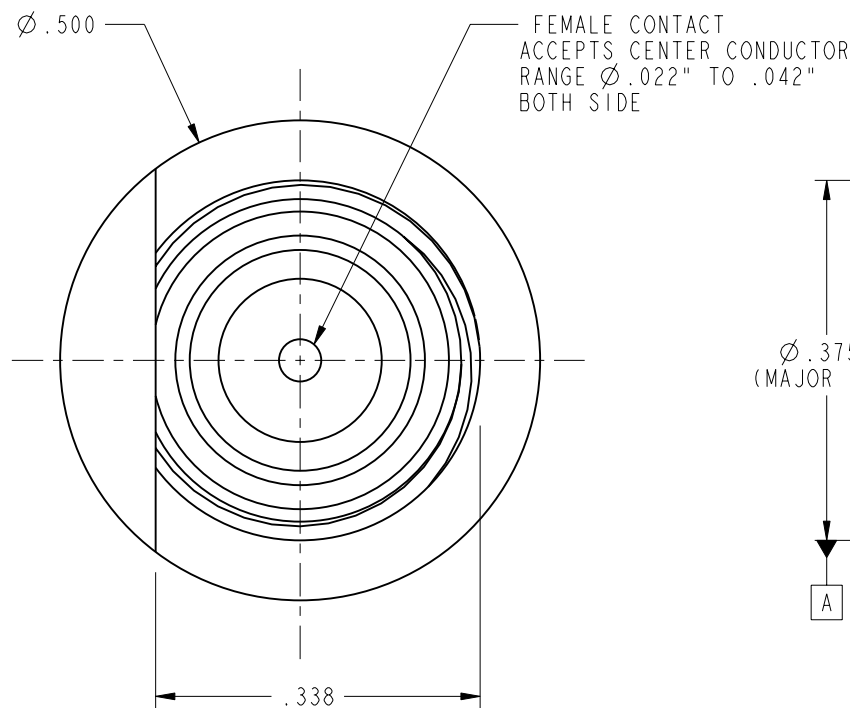
4. PACKAGING:

A. QUANTITY: SINGLE PACK
 B. MARK OR TAG BAG: AMPHENOL
 531-40120
 DATE CODE (YYWW)

531-40120		REVISIONS			
DRAWING NO.	REV	DESCRIPTION	DATE	ECO	APPR
THIRD ANGLE PROJ.	A	RELEASE TO MFG.	2/14/02	43962	BCG



SCALE 2.000



RECOMMENDED MOUNTING HOLE
 SCALE 4:1

3/8-32UNEF-2A
 Ø.004 A
 THREAD BOTH SIDES

CUSTOMER OUTLINE DRAWING
 ALL OTHER SHEETS ARE FOR INTERNAL USE ONLY

UNLESS OTHERWISE SPECIFIED, DIMENSIONS ARE IN INCHES AND TOLERANCES ARE: 2 PLACE DECIMAL 3 PLACE DECIMAL ANGLES ±.015 (0,381 mm) ±.005 (0,127 mm) ± 1°	MATERIAL	DRAWN K. CAPOZZI	DATE 11-FEB-02	TITLE F ADAPTER, FEMALE TO FEMALE	Amphenol Amphenol Corporation Communication and Network Products Division Danbury, CT U.S.A. 06810
	REFERENCE 616X-1059-400	ENGINEER B. C. GLEISSNER	DATE 11-FEB-02		
NOTICE - These drawings, specifications, or other data (1) are, and remain the property of Amphenol Corp. (2) must be returned upon request; and (3) are confidential and not to be disclosed to any person other than those to whom they are given by Amphenol Corp. The furnishing of these drawings, specifications, or other data by Amphenol Corp., or to any other person to anyone for any purpose is not to be regarded by implication or otherwise in any manner licensing, granting rights or permitting such holder or any other person to manufacture, use or sell any product, process or design, patented or otherwise, that may in any way be related to or disclosed by said drawings, specifications, or other data.	EAR# 458 GEN# ASSYF12_F	APPROVED O. BARTHELMES	DATE 13-FEB-02	SCALE: 5.0:1	SHEET 2 OF 2
		CAD FILE I:\CATV\F&G\531-40120	CODE ID 74868	DWG SIZE B	DRAWING NO. 531-40120