

NOTES:

1. MATERIAL AND FINISH:

HOUSING, SHELL - BRASS, NICKEL PLATING
 CONTACT - PHOSPHOR BRONZE, GOLD PLATING
 INSULATOR - PTFE, NATURAL

2. ELECTRICAL:

A. IMPEDANCE: 50 OHM
 B. FREQUENCY RANGE: DC-11 GHz
 C. DIELECTRIC WITHSTANDING VOLTAGE: 1500 VRMS. MIN.

3. MECHANICAL:

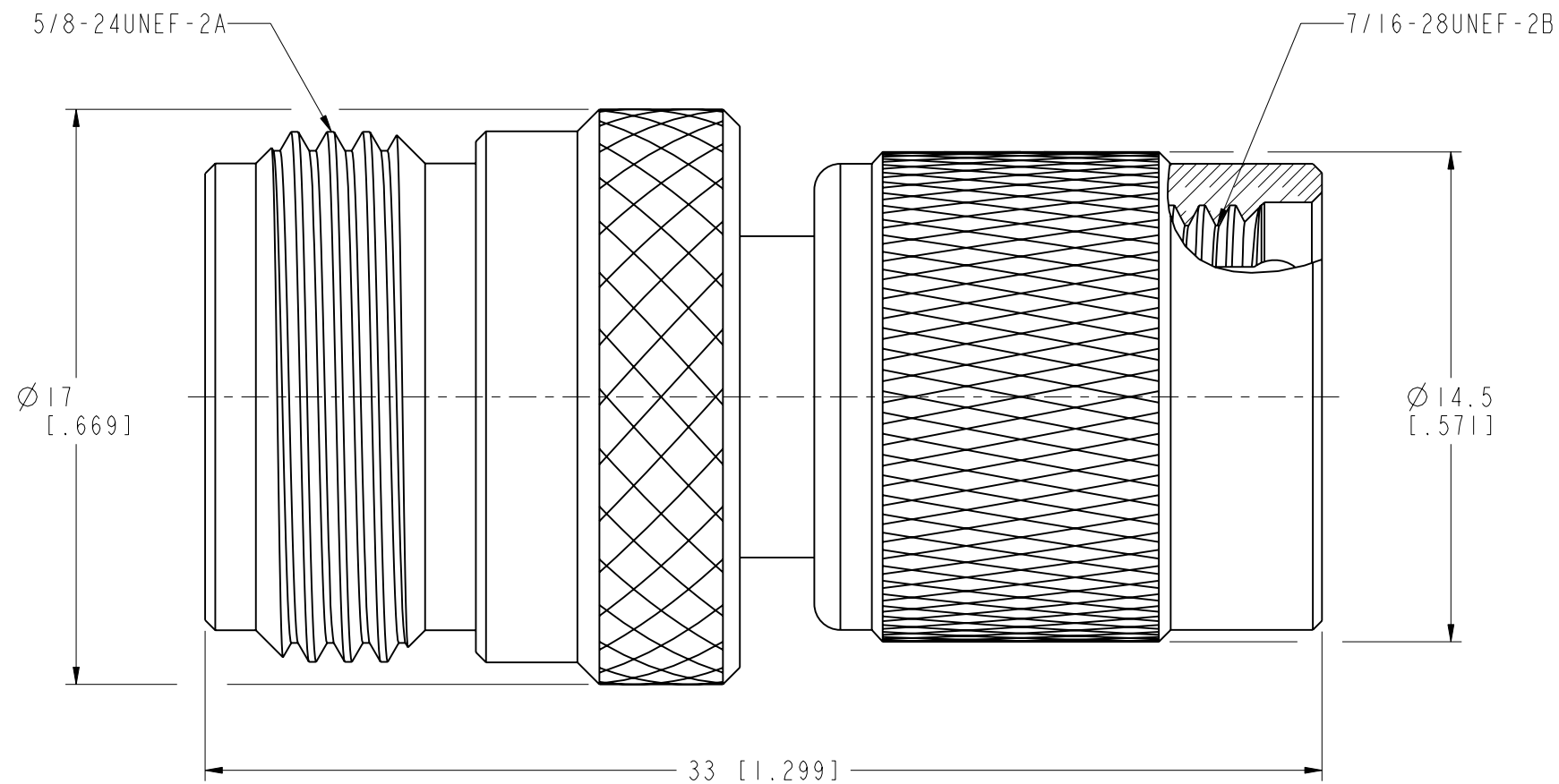
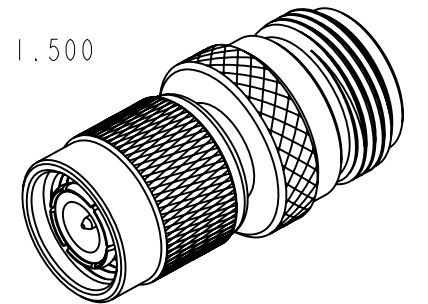
A. DURABILITY: 500 CYCLES MIN.
 B. TEMPERATURE RANGE: -40°C TO +85°C

THIRD ANGLE PROJ.

REVISIONS

REV	DESCRIPTION	DATE	ECO	APPR
A	RELEASE TO MFG.	27-May-02	-----	SH
B	ADD SHEET 2	10-Apr-14	49976	SH

SCALE 1.500



CUSTOMER OUTLINE DRAWING

ALL OTHER SHEETS ARE FOR INTERNAL USE ONLY

UNLESS OTHERWISE SPECIFIED, DIMENSIONS ARE IN METRIC AND TOLERANCES ARE:
 <0.5mm ±0.05mm 0.5 - 6mm ±0.1mm 6 - 30mm ±0.2mm 30 - 120mm ±0.3mm ANGLES ±1°

NOTICE - These drawings, specifications, or other data (1) are, and remain the property of Amphenol corp. (2) must be returned upon request; and (3) are confidential and not to be disclosed to any person other than those to whom they are given by Amphenol Corp. the furnishing of these drawings, specifications, or other data by Amphenol Corp., or to any other person to anyone for any purpose is not to be regarded by implication or otherwise in any manner licensing, granting rights to permitting such holder or any other person to manufacture, use or sell any product, process or design, patented or otherwise, that may in any way be related to or disclosed by said drawings, specifications, or other data.

MATERIAL	DRAWN SUNDE	DATE 09-Apr-14	TITLE TNC MALE TO N FEMALE ADAPTOR	Amphenol RF www.amphenolrf.com
REFERENCE CONNEX P/N: 242131	ENGINEER TONY	DATE 27-May-02		
CONFIGURATION LEVEL:	APPROVED SCOTT	DATE 09-Apr-14	SCALE: 5.0:1.0	DRAWING NO. NF-TM-NT3G-50
FINISH	CAD FILE		SHEET 2 OF 3	
			DWG SIZE B	REV B
				ITEM NO. 03F-02M2-NA-5-F
				PART NO. APH-NJ-TNCP