

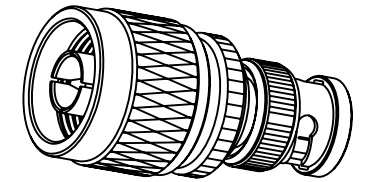
NOTES:

1. MATERIALS AND FINISHES:  
 BODY - BRASS, NICKEL PLATING.  
 CONTACT PIN - BRASS, GOLD PLATING.  
 INSULATOR - PTFE, NATURAL.
2. ELECTRICAL:  
 A. IMPEDANCE: 50 OHM.  
 B. FREQUENCY RANGE: DC - 4 GHz.
3. MECHANICAL:  
 A. TEMPERATURE RANGE: -55°C TO +165°C.

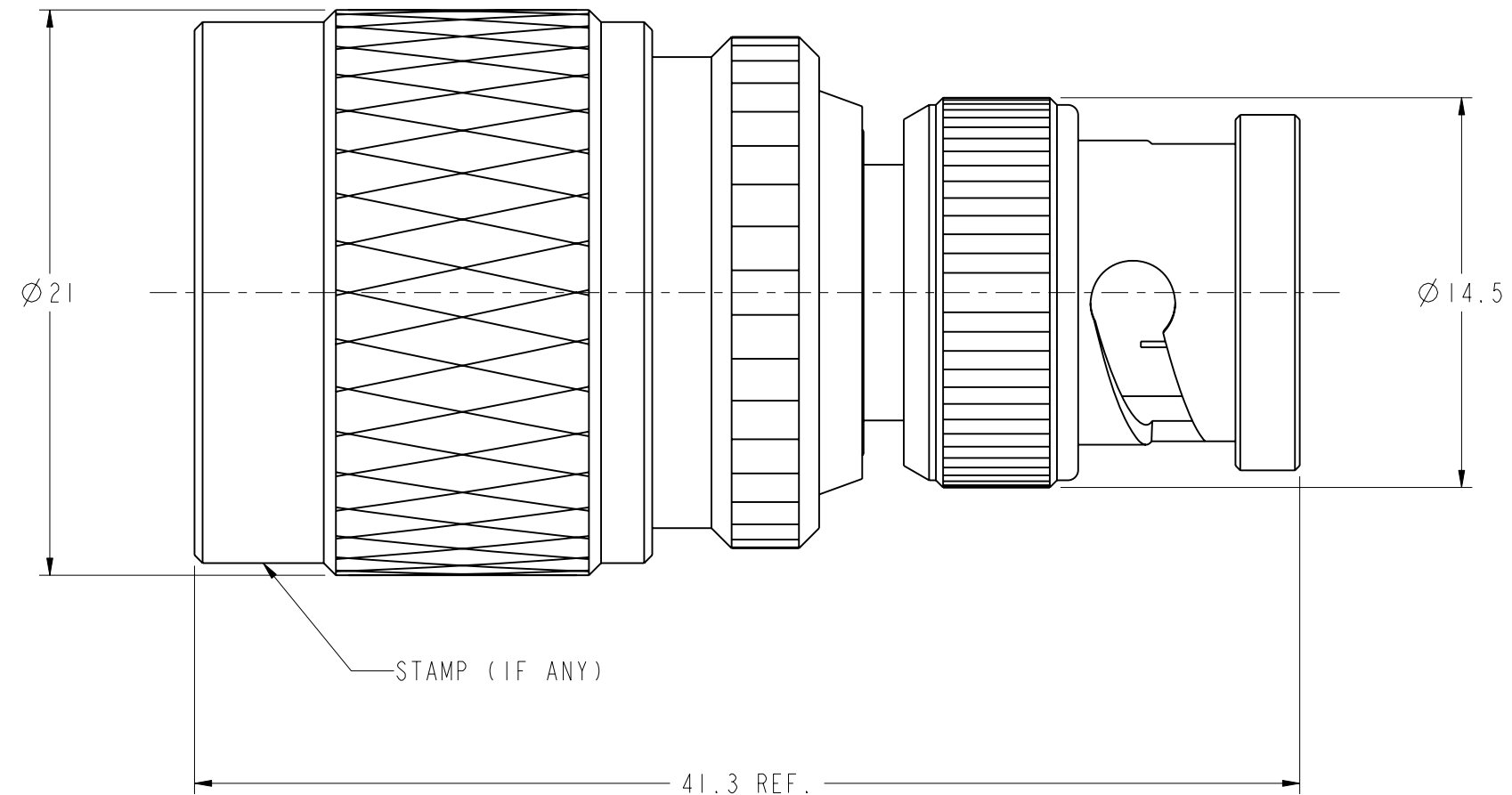
THIRD ANGLE PROJ.

REVISIONS

REV	DESCRIPTION	DATE	ECO	APPR
A	RELEASE TO MFG.	29-Jul-03	46262	
B	UPDATE THE FORMAT\RD-DM10090901S4 ITEM 12 WAS CHANGED\RD-DM09112701TI	21-Sep-10	48274	SH



SCALE 1.000



**CUSTOMER OUTLINE DRAWING**

ALL OTHER SHEETS ARE FOR INTERNAL USE ONLY

UNLESS OTHERWISE SPECIFIED, DIMENSIONS ARE IN METRIC AND TOLERANCES ARE: <table border="0"> <tr> <td>&lt;0.5mm</td> <td>0.5 - 6mm</td> <td>6 - 30mm</td> <td>30 - 120mm</td> <td>ANGLES</td> </tr> <tr> <td>± 0.05mm</td> <td>± 0.1mm</td> <td>± 0.2mm</td> <td>± 0.3mm</td> <td>± 1°</td> </tr> </table>	<0.5mm	0.5 - 6mm	6 - 30mm	30 - 120mm	ANGLES	± 0.05mm	± 0.1mm	± 0.2mm	± 0.3mm	± 1°	MATERIAL	DRAWN	DATE	TITLE	<b>Amphenol RF</b> Danbury CT USA, Tainan, Taiwan, Shenzhen, China <a href="http://www.amphenolrf.com">www.amphenolrf.com</a>
	<0.5mm	0.5 - 6mm	6 - 30mm	30 - 120mm	ANGLES										
	± 0.05mm	± 0.1mm	± 0.2mm	± 0.3mm	± 1°										
		S.LI	17-Sep-10	N MALE TO BNC MALE ADAPTOR											
REFERENCE AND CONFIGURATION LEVEL:	ENGINEER	DATE	SCALE: 4.0:1.0   SHEET 2 OF 2												
FINISH	C.WANG	20-Sep-10	DWG SIZE	REV											
NOTICE - These drawings, specifications, or other data (1) are, and remain the property of Amphenol corp. (2) must be returned upon request; and (3) are confidential and not to be disclosed to any person other than those to whom they are given by Amphenol Corp. the furnishing of these drawings, specifications, or other data by Amphenol Corp., or to any other person to anyone for any purpose is not to be regarded by implication or otherwise in any manner licensing, granting rights to permitting such holder or any other sperson to manufacture, use or sell any product, process or design, patented or otherwise, that may in any way be related to or disclosed by said drawings, specifications, or other data.		APPROVED	DATE	B	DRAWING NO. NM-BMI-NT3G-50										
		S.HSIEH	20-Sep-10	B	ITEM NO. 03M-01MI-NA-5-F										
		CAD FILE			PART NO. APH-NP-BNCP										
		Root Folder\N\NM-BMI-NT3G-50													