

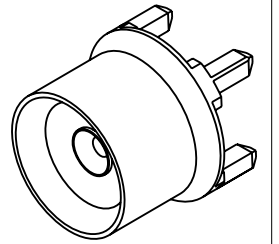
NOTES:

1. MATERIALS AND FINISHES:
 BODY: BRASS, GOLD PLATING
 CONTACT: BERYLLIUM COPPER, GOLD PLATING.
 INSULATOR: PTFE
2. PHYSICAL:
 A. OPERATING TEMPERATURE: -65°C to +165°C
 B. DURABILITY: 100 MATING CYCLES MINIMUM
 C. INTERFACE: PROPRIETARY AFI INTERFACE
3. ELECTRICAL:
 A. IMPEDANCE: 50 OHMS, NOMINAL
 B. FREQUENCY RANGE: 0 TO 6 GHz
 C. VSWR: $1.10 + 0.06 \times F$ (GHz) MAX, FROM 0 TO 3 GHz
 $0.56 + 0.24 \times F$ (GHz) MAX, FROM 3 TO 6 GHz
 D. SEE 349-50861 FOR RECOMMENDED LAUNCH
4. PACKAGING:
 A. SINGLE PACK IN BAG.
 B. MARK BAG OR TAG: AMPHENOL RF
 920-256J-51P
 DATE CODE (YYWW)
5. ADD DIM "B" FROM PLUG AND DIM "A" FROM JACK OF TWO MATING CONNECTORS TO FIND THE NOMINAL BOARD-TO-BOARD SPACING. AXIAL FLOAT IS ± 0.50 [0.020"] RADIAL FLOAT IS ± 0.38 [0.015"]

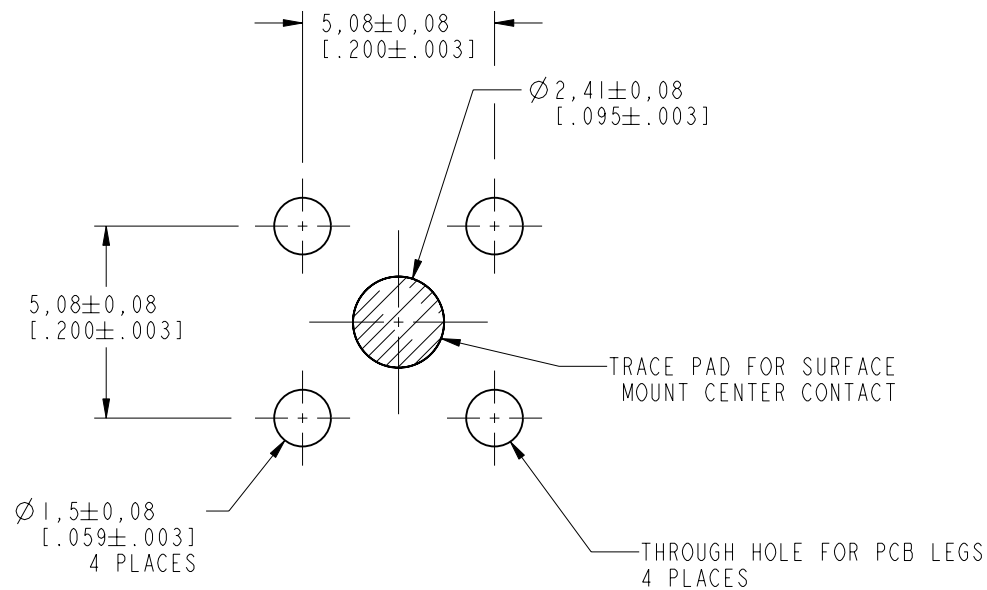
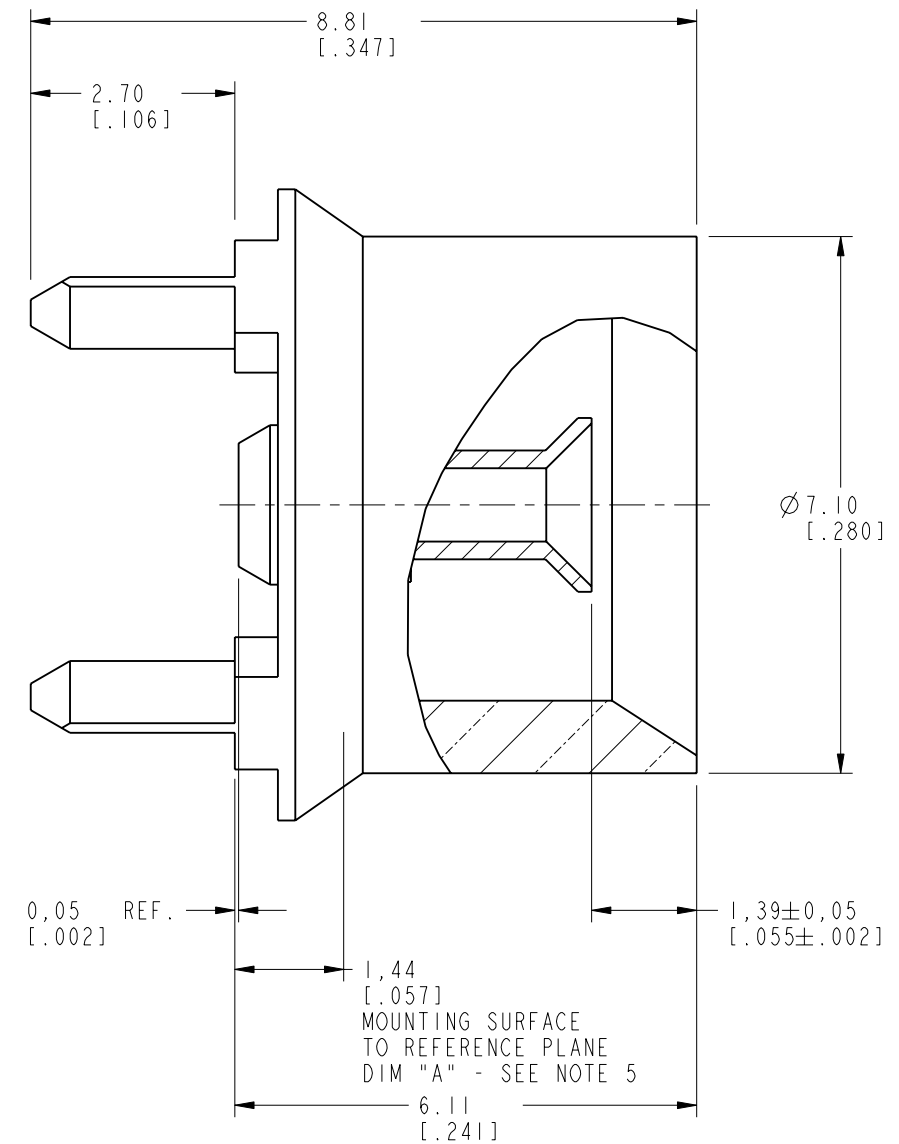
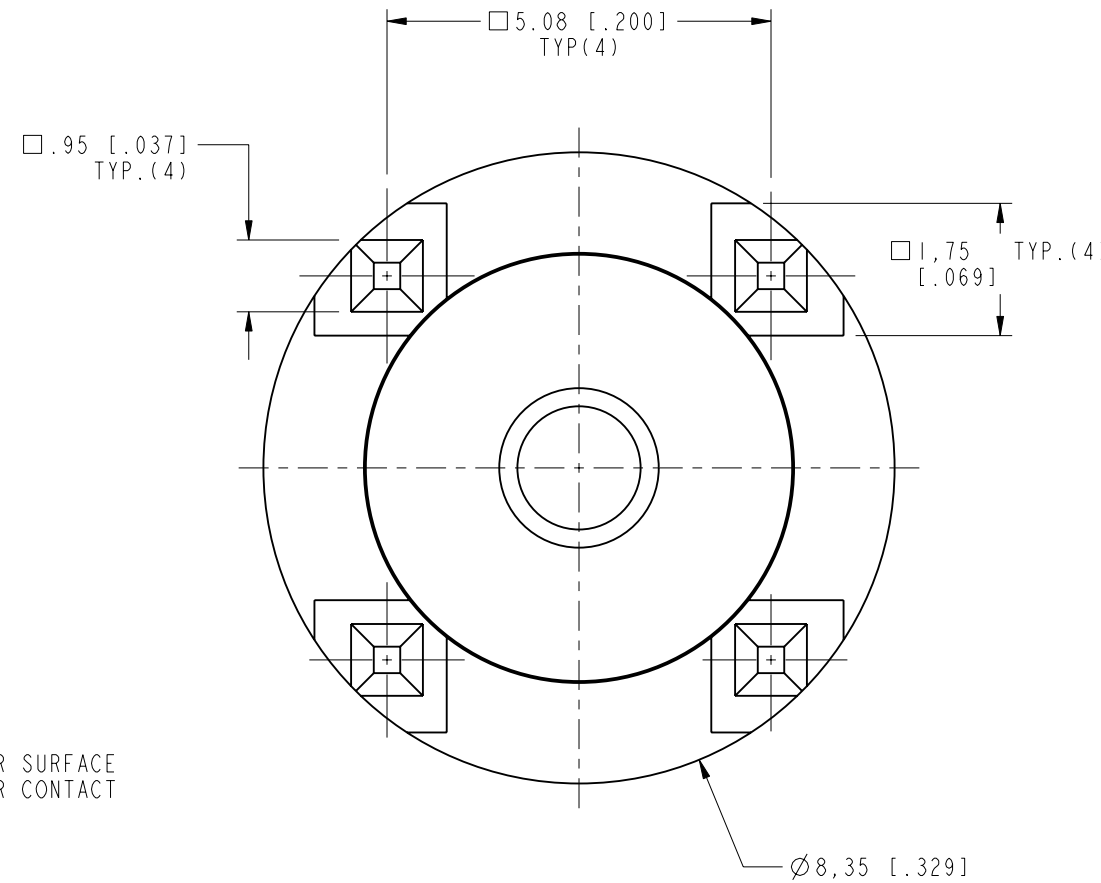
THIRD ANGLE PROJ.

REVISIONS

REV	DESCRIPTION	DATE	ECO	APPR
A	RELEASE TO MFG.	29-Nov-13	49535	KR



SCALE 3.000



SUGGESTED
PCB FOOTPRINT

CUSTOMER OUTLINE DRAWING
ALL OTHER SHEETS ARE FOR INTERNAL USE ONLY

UNLESS OTHERWISE SPECIFIED, DIMENSIONS ARE IN METRIC AND TOLERANCES ARE: < 0.5mm ± 0.05mm 0.5 - 6mm ± 0.1mm 6 - 30mm ± 0.2mm 30 - 120mm ± 0.3mm ANGLES ± 1° NOTICE - These drawings, specifications, or other data (1) are, and remain the property of Amphenol corp. (2) must be returned upon request; and (3) are confidential and not to be disclosed to any person other than those to whom they are given by Amphenol Corp. the furnishing of these drawings, specifications, or other data by Amphenol Corp., or to any other person to anyone for any purpose is not to be regarded by implication or otherwise in any manner licensing, granting rights to permitting such holder or any other person to manufacture, use or sell any product, process or design, patented or otherwise, that may in any way be related to or disclosed by said drawings, specifications, or other data.	MATERIAL	DRAWN	DATE	TITLE		Amphenol RF www.amphenolrf.com	
	SEE NOTES	J. CHEN	29-Nov-13				
	REFERENCE	ENGINEER	DATE	SCALE: 10.0:1.0 SHEET 2 OF 2		DRAWING NO. 920-256J-51P	
	EAR # 3289	T. SMITH	17-Aug-12	DWG SIZE B		ITEM NO. 920-256J-51P	
CONFIGURATION LEVEL: <input type="checkbox"/> <input type="checkbox"/> <input type="checkbox"/>	APPROVED	DATE	REV A		PART NO. 920-256J-51P		
FINISH	S. HSIEH	02-Dec-13					