

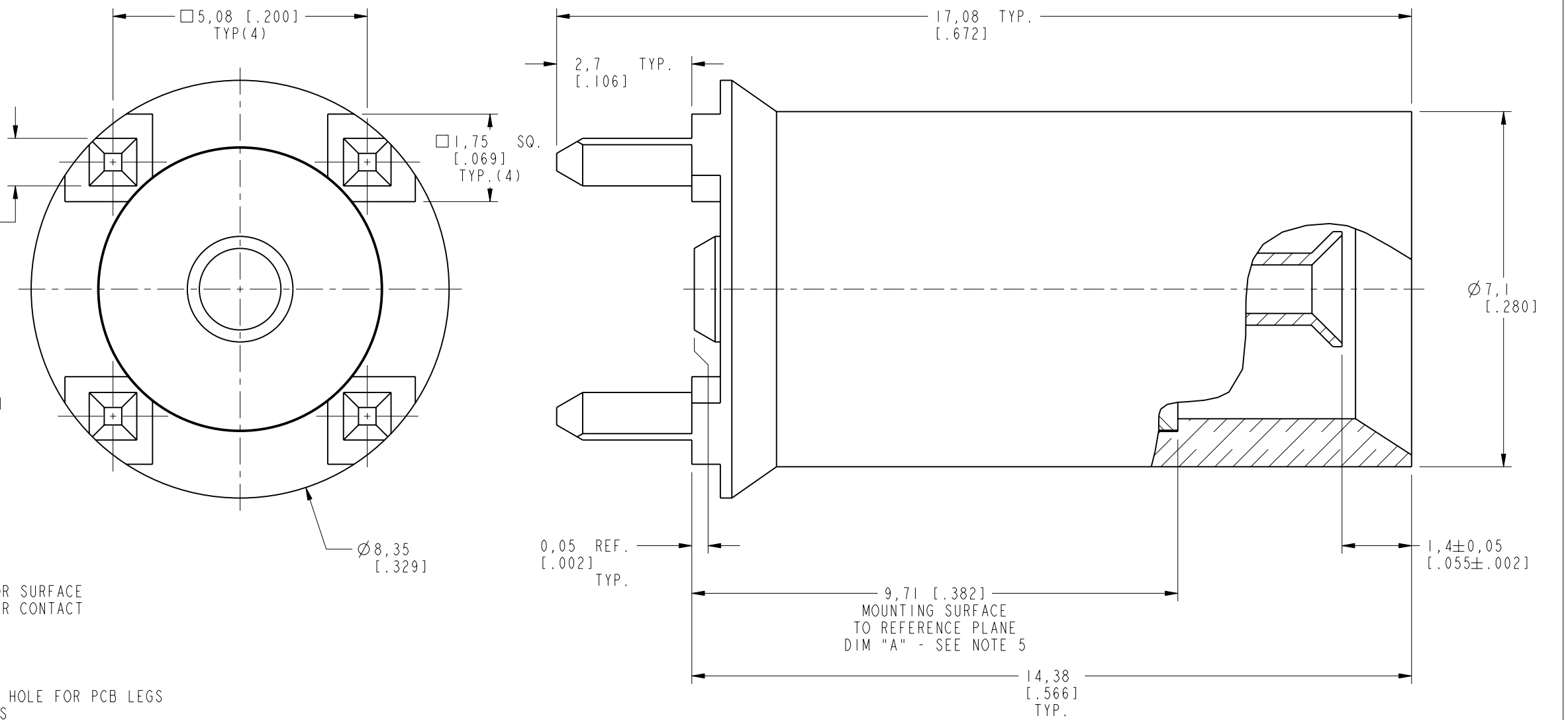
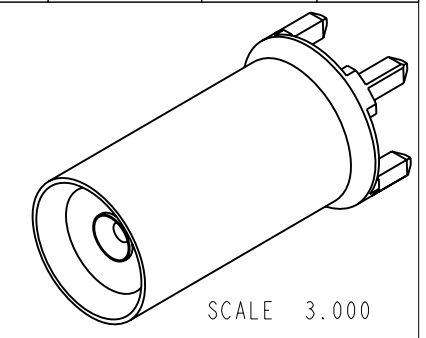
NOTES:

1. MATERIALS AND FINISHES:  
 BODY: BRASS, GOLD PLATING  
 CONTACT: BERYLLIUM COPPER, GOLD PLATING.  
 INSULATOR: PTFE
2. PHYSICAL:  
 A. OPERATING TEMPERATURE: -65°C to +165°C  
 B. DURABILITY: 100 MATING CYCLES MINIMUM  
 C. INTERFACE: PROPRIETARY AFI INTERFACE
3. ELECTRICAL:  
 A. IMPEDANCE: 50 OHMS, NOMINAL  
 B. FREQUENCY RANGE: 0 TO 6 GHz  
 C. VSWR:  $1.10 + 0.06 \times F$  (GHz) MAX, FROM 0 TO 3 GHz  
            $0.56 + 0.24 \times F$  (GHz) MAX, FROM 3 TO 6 GHz  
 D. SEE 349-50861 FOR RECOMMENDED LAUNCH
4. PACKAGING:  
 A. SINGLE PACK IN BAG.  
 B. MARK BAG OR TAG: AMPHENOL RF  
                           920-266J-51P  
                           DATE CODE (YYWW)
5. ADD DIM "B" FROM PLUG AND DIM "A" FROM JACK  
 OF TWO MATING CONNECTORS TO FIND THE  
 NOMINAL BOARD-TO-BOARD SPACING.  
 AXIAL FLOAT IS  $\pm 0.50$  [0.020"]  
 RADIAL FLOAT IS  $\pm 0.38$  [0.015"]

THIRD ANGLE PROJ.

REVISIONS

REV	DESCRIPTION	DATE	ECO	APPR
A	RELEASE TO MFG.	21-May-14	49535	JC



SUGGESTED  
PCB FOOTPRINT

**CUSTOMER OUTLINE DRAWING**  
ALL OTHER SHEETS ARE FOR INTERNAL USE ONLY

UNLESS OTHERWISE SPECIFIED, DIMENSIONS ARE IN METRIC AND TOLERANCES ARE: < 0.5mm ± 0.05mm    0.5 - 6mm ± 0.1mm    6 - 30mm ± 0.2mm    30 - 120mm ± 0.3mm    ANGLES ± 1°	MATERIAL	DRAWN	DATE	TITLE AFI STR JACK PCB MOUNT		Amphenol RF www.amphenolrf.com	
	SEE NOTES	JEKY.C	21-May-14				
NOTICE - These drawings, specifications, or other data (1) are, and remain the property of Amphenol corp. (2) must be returned upon request; and (3) are confidential and not to be disclosed to any person other than those to whom they are given by Amphenol Corp. the furnishing of these drawings, specifications, or other data by Amphenol Corp., or to any other person to anyone for any purpose is not to be regarded by implication or otherwise in any manner licensing, granting rights to permitting such holder or any other person to manufacture, use or sell any product, process or design, patented or otherwise, that may in any way be related to or disclosed by said drawings, specifications, or other data.	REFERENCE	ENGINEER	DATE	SCALE: 10.0:1.0 SHEET 2 OF 2		DRAWING NO. 920-266J-51P ITEM NO. 920-266J-51P PART NO. 920-266J-51P	
	EAR # 3289	T. SMITH	07-Feb-13				
	CONFIGURATION LEVEL: <input type="checkbox"/> <input type="checkbox"/> <input type="checkbox"/> <input type="checkbox"/>	APPROVED	DATE		DWG SIZE	REV	
FINISH	S. HSIEH	21-May-14		B	A		