

THIRD ANGLE PROJ.

REVISONS

REV	DESCRIPTION	DATE	ECO	APPR
A	RELEASE TO MFG.	30-Mar-14	49535	S. HEILSH

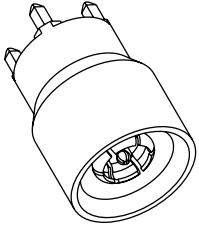
1. MATERIALS AND FINISHES:
 BODY: BRASS, GOLD PLATING
 CONTACT: BERYLLIUM COPPER, GOLD PLATING.
 INSULATOR: PTFE

2. PHYSICAL:
 A. OPERATING TEMPERATURE: -65°C to +165°C
 B. DURABILITY: 100 MATING CYCLES MINIMUM
 C. INTERFACE: PROPRIETARY AFI INTERFACE

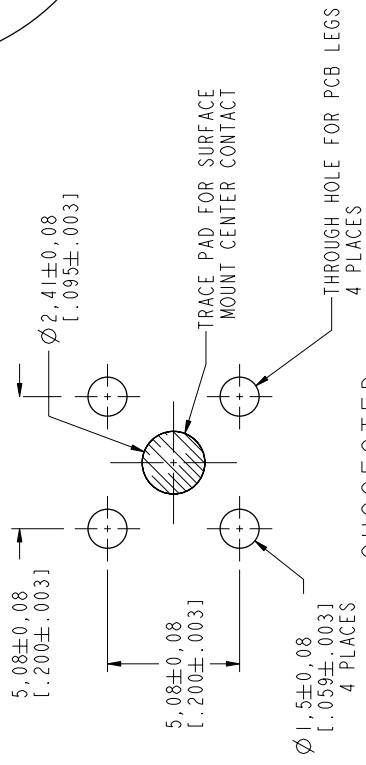
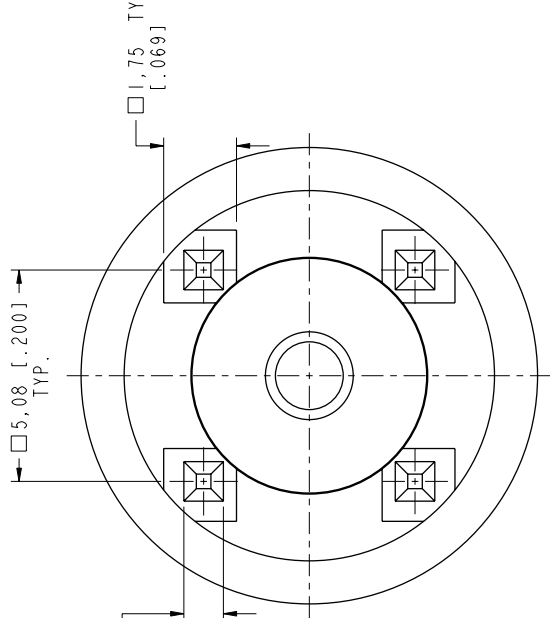
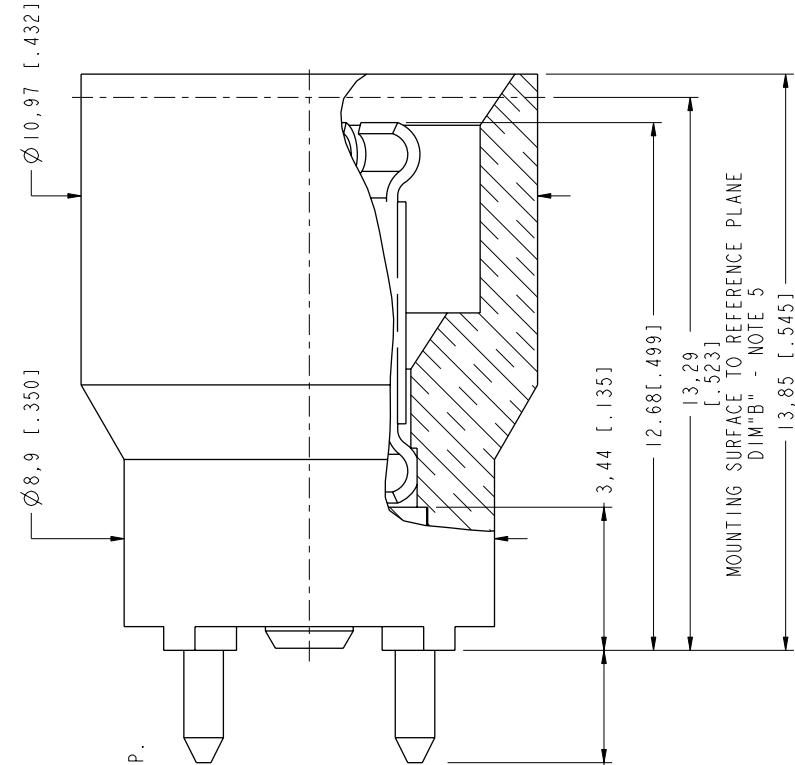
3. ELECTRICAL:
 A. IMPEDANCE: 50 OHMS, NOMINAL
 B. FREQUENCY RANGE: 0 TO 6 GHz
 C. VSWR: 1.10 + 0.06 x F (GHz) MAX, FROM 0 TO 3 GHz
 0.56 + 0.24 x F (GHz) MAX, FROM 3 TO 6 GHz
 D. SEE 349-50861 FOR RECOMMENDED LAUNCH

4. PACKAGING:
 A. SINGLE PACK IN BAG.
 B. MARK BAG OR TAG: AMPHENOL RF
 920-248P-51P
 DATE CODE (YYWW)

5. ADD DIM "B" FROM PLUG AND DIM "A" FROM JACK OF TWO MATING CONNECTORS TO FIND THE NOMINAL BOARD-TO-BOARD SPACING. AXIAL FLOAT IS ±0.50 [0.020"] RADIAL FLOAT IS ±0.38 [0.015"]



SCALE 2.400



CUSTOMER OUTLINE DRAWING
 ALL OTHER SHEETS ARE FOR INTERNAL USE ONLY

TITLE		DATE		DRAWN		DATE		TITLE	
AFI STR PLUG PCB MOUNT		28-Mar-14		M. DONG		17-Aug-12		AFI STR PLUG PCB MOUNT	
SCALE: 8.0:1.0		DATE		ENGINEER		DATE		DRAWING NO. 920-248P-51P	
DWG SIZE		30-Mar-14		T. SMITH		30-Mar-14		ITEM NO. 920-248P-51P	
REV		SHEET		APPROVED		SHEET		PART NO. 920-248P-51P	
A		2 OF 2		S. HEILSH		2 OF 2			
		FINISH		CAD FILE		CONFIGURATION LEVEL: □□□□			
		SEE NOTES		MATERIAL		REFERENCE			
		MATERIAL		SEE NOTES		EAR # 3289			
		FINISH		CONFIGURATION LEVEL: □□□□		FINISH			

UNLESS OTHERWISE SPECIFIED, DIMENSIONS ARE IN METRIC AND TOLERANCES ARE:
 <0.5mm ±0.1mm
 0.5 - 6mm ±0.2mm
 6 - 30mm ±0.3mm
 30 - 120mm ±0.5mm
 ANGLES ±1°

NOTICE - These drawings, specifications, or other data (1) are, and remain the property of Amphenol Corp. (2) must be returned upon request; and (3) are confidential and not to be disclosed to any person other than those to whom they are given by Amphenol Corp. The furnishing of these drawings, specifications, or other data by Amphenol Corp., or to any other person in any manner, for any purpose is not to be regarded by implication or otherwise in any manner as licensing, granting any patent, or any other right in any person's manufacture, use or sale of any product, or permitting such product to be made, used, sold, or otherwise distributed, or disclosed by said drawings, specifications, or other data.

REV	DESCRIPTION	DATE	ECO	APPR
A	RELEASE TO MFG.	30-Mar-14	49535	S. HEILSH

REV	DESCRIPTION	DATE	ECO	APPR
A	RELEASE TO MFG.	30-Mar-14	49535	S. HEILSH

Amphenol RF
 www.amphenolrf.com