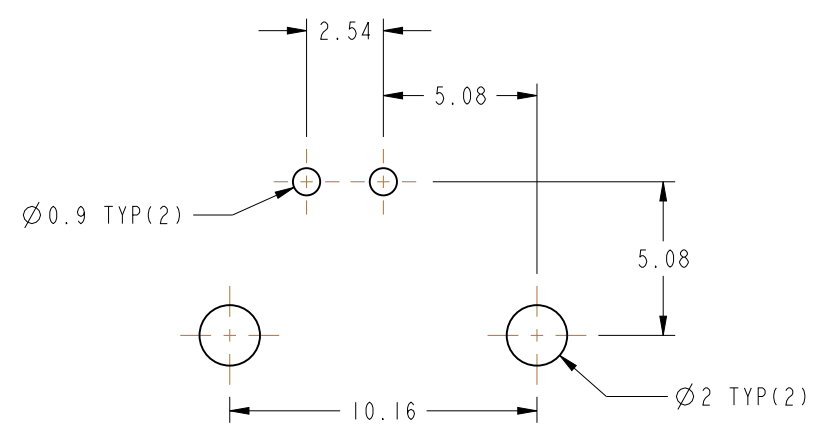


NOTES:

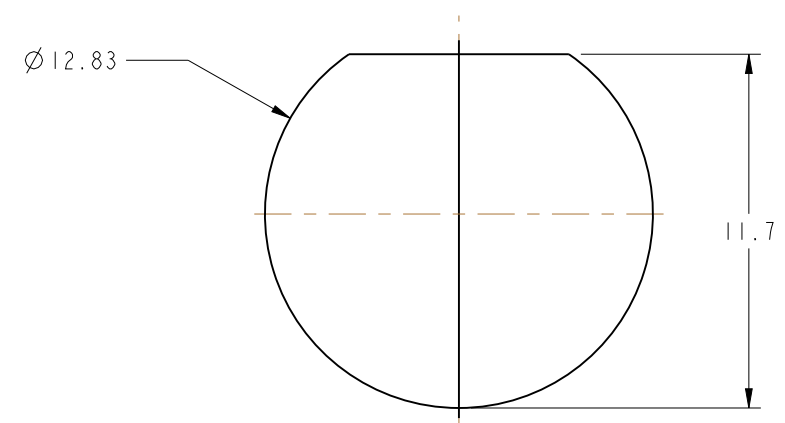
1. MATERIALS AND FINISHES:
 BODY - ZINC ALLOY, NICKEL PLATING
 CONTACT - PHOPHOR BRONZE, GOLD PLATING (.000003 THICK)
 @CONTACT AREA ONLY, TIN PLATING AT TAIL, NICKEL PLATED OVERALL
 INSULATOR - POLYPROPYLENE
 HOUSING- PBT, BLACK, 15% G.F.
 GROUNDING TERMINAL-STEEL, TIN PLATING
 ROUND PIN-BRASS, TIN PLATING
2. ELECTRICAL:
 A. IMPEDANCE: 50 OHM
 B. FREQUENCY RANGE: DC - 1GHz
 C. DIELECTRIC WITHSTANDING VOLTAGE: 1500 VRMS, MIN.
3. MECHANICAL:
 A. DURABILITY: 500 CYCLES MIN.
 B. TEMPERATURE RANGE: -55° C TO 85° C
4. PACKAGING:
 A. PACKAGED IN PACKING TRAY
 B. QUANTITY PER TRAY: 40

THIRD ANGLE PROJ.

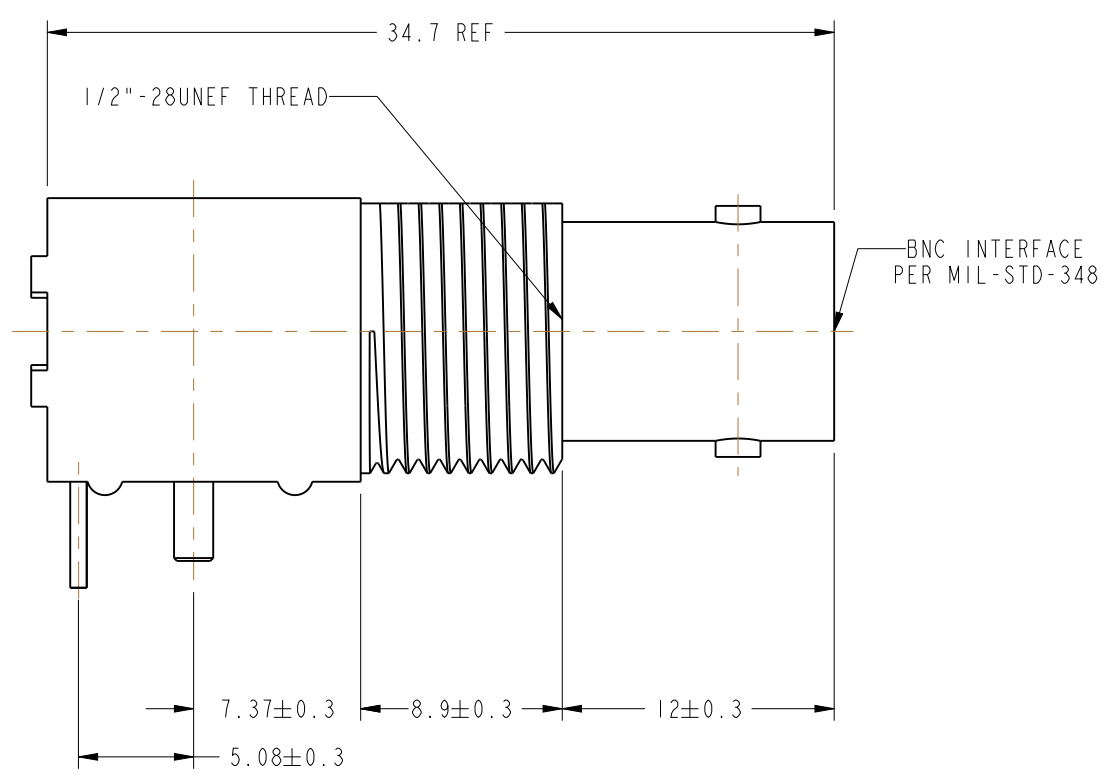
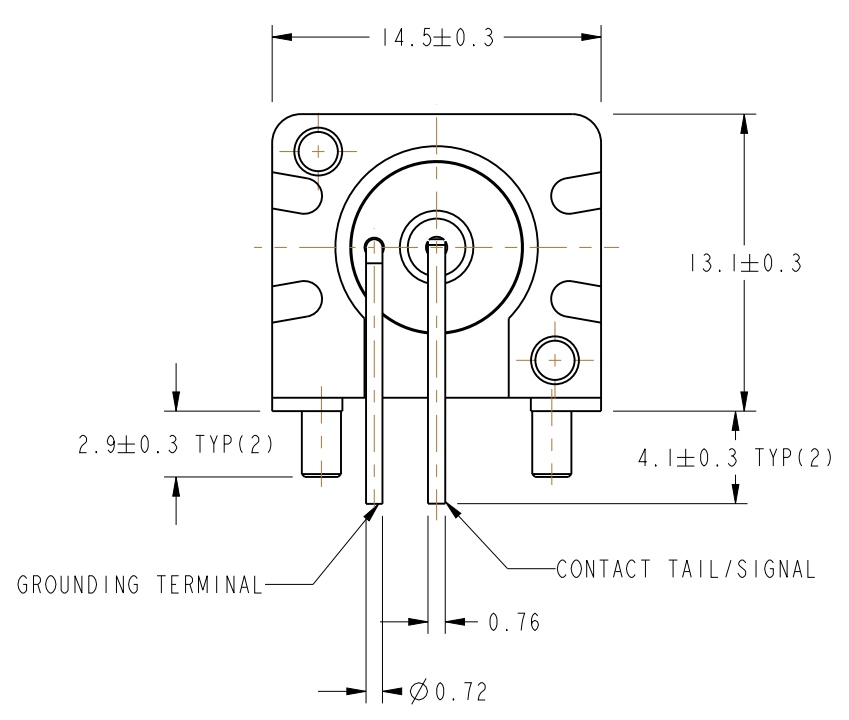
REVISIONS				
REV	DESCRIPTION	DATE	ECO	APPR
A	RELEASE TO MFG	4/12/91	38057	DR
E	SEE SHEET I	10/11/96	41588	CPM
F	SEE SHEET I	2/3/05	45257	CPM
G	UPDATED FORMAT AND NOMINAL ENVELOPE DIMENSIONS	7/26/12	49146	CW
H	SYNCH THE DRAWING WITH ARFA	15-Aug-12	49198	SH



RECOMMENDED PCB LAYOUT



RECOMMENDED PANEL CUTOUT



CUSTOMER OUTLINE DRAWING
 ALL OTHER SHEETS ARE FOR INTERNAL USE ONLY

UNLESS OTHERWISE SPECIFIED, DIMENSIONS ARE IN METRIC AND TOLERANCES ARE: <0.5mm ±0.05mm 0.5 - 6mm ±0.1mm 6 - 30mm ±0.2mm 30 - 120mm ±0.3mm ANGLES ±1° NOTICE - These drawings, specifications, or other data (1) are, and remain the property of Amphenol corp. (2) must be returned upon request; and (3) are confidential and not to be disclosed to any person other than those to whom they are given by Amphenol Corp. the finishing of these drawings, specifications, or other data by Amphenol Corp., or to any other person to anyone for any purpose is not to be regarded by implication or otherwise in any manner licensing, granting rights to permitting such holder or any other sperson to manufacture, use or sell any product, process or design, patented or otherwise, that may in any way be related to or disclosed by said drawings, specifications, or other data.	MATERIAL	DRAWN	DATE	TITLE BNC JACK, 50 OHM LOW-PROFILE PCB RECEPTACLE, BLACK RIGHT ANGLE MOUNT		Amphenol RF www.amphenolrf.com	
	SEE NOTES	S.LI	15-Aug-12				
	REFERENCE	APPROVED	DATE	SCALE: 3.0:1.0		DRAWING NO. 31-5540	
	FINISH	S.HSIEH	15-Aug-12	SHEET 1 OF 2		ITEM NO. 31-5540	
		CAD FILE	DWG SIZE	REV	PART NO. 31-5540		
			B	H			