

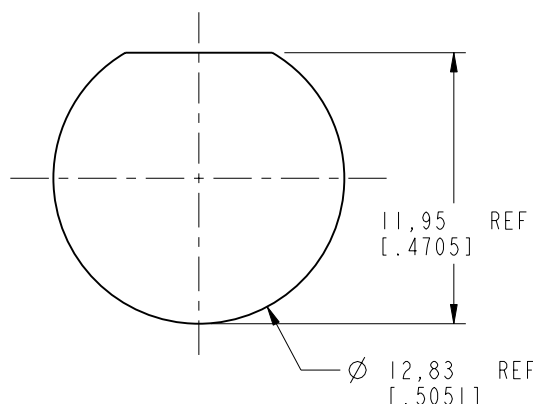
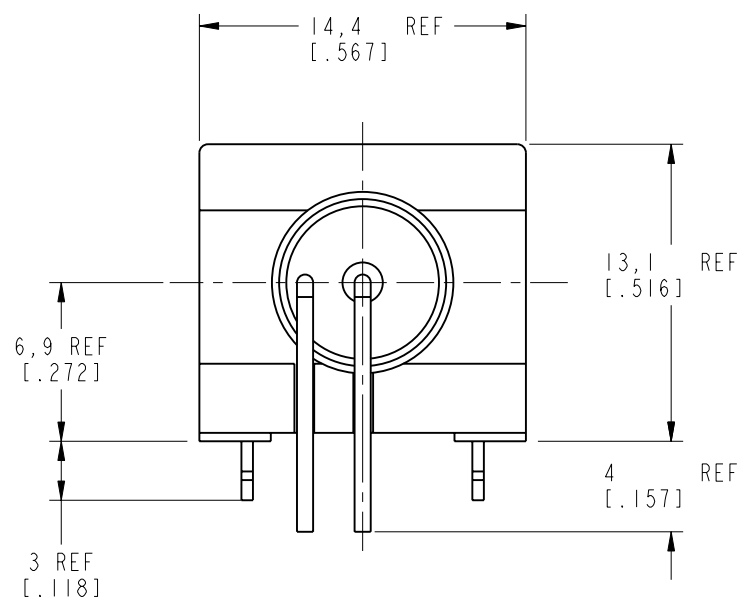
NOTES:

1. MATERIALS OF CONSTRUCTION:

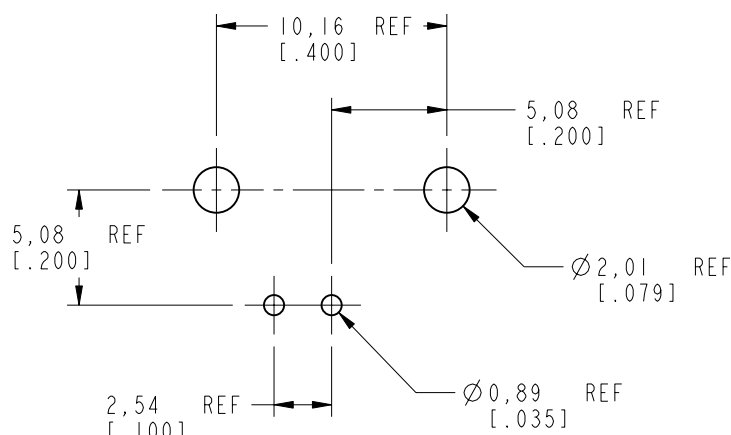
BODY = ZINC DIE CAST, NICKEL PLATED (.000100 THICK)
 CONTACT PIN = PHOSPHOR BRONZE, GOLD FLASH OVER NICKEL PLATED (.000050 THICK)
 POST = COPPER, TIN PLATED
 MOUNTING POST = BRASS (QQ-B-613), TIN PLATED
 HEX NUT = BRASS (QQ-B-626), NICKEL PLATED (.000100 THICK)
 LOCKWASHER = BRASS (QQ-B-613), NICKEL PLATED (.000100 THICK)
 HOUSING = PBT, WHITE
 INSULATOR = POLYPROPYLENE, COLOR NATURAL

2. MAX. PANEL THICKNESS = 5mm [.197]

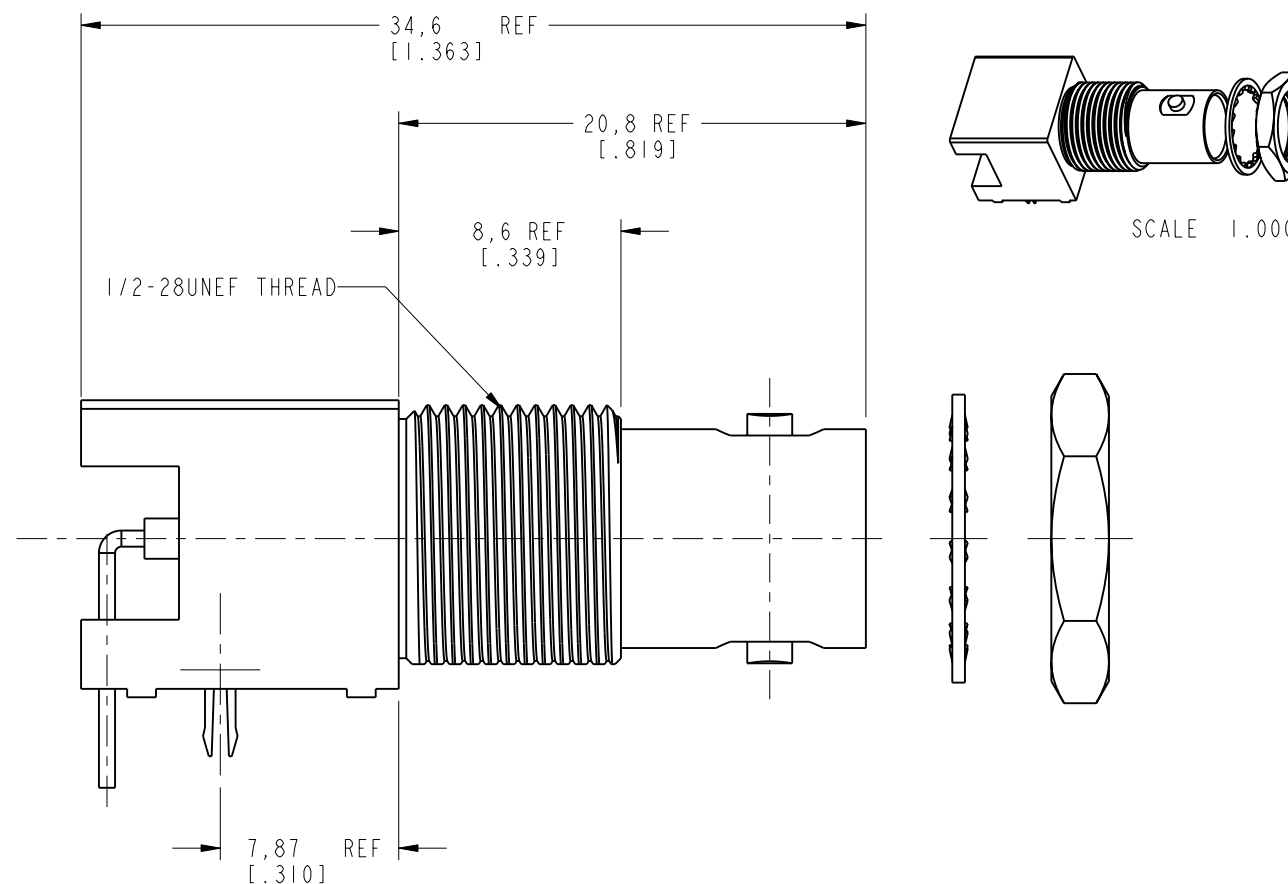
31-71052-10RFX		REVISIONS			
DRAWING NO.	REV	DESCRIPTION	DATE	ECO	APPR
THIRD ANGLE PROJ.	A	RELEASE TO MFG.	8/8/01	43816	CPM



RECOMMENDED MOUNTING HOLE DIMENSIONS
SCALE 3.000



RECOMMENDED CABLE STRIPPING DIMENSIONS
SCALE 3.000



CUSTOMER OUTLINE DRAWING
ALL OTHER SHEETS ARE FOR INTERNAL USE ONLY

UNLESS OTHERWISE SPECIFIED, DIMENSIONS ARE IN INCHES AND TOLERANCES ARE: 0.5 - 6mm ±0.2mm 6 - 30mm ±0.4mm 30 - 120mm ±0.6mm	MATERIAL	DRAWN C. McGRATH	DATE 7/24/01	TITLE BNC R/A PC MOUNT RECEPTACLE JACK		Amphenol Amphenol Corporation Communication and Network Products Division Danbury, CT U.S.A. 06810	
	REFERENCE EAR# 329 GEN# 31-71052-10RFX_ASSY	ENGINEER O. BARTHELMES	DATE 7/24/01				
NOTICE - These drawings, specifications, or other data (1) are, and remain the property of Amphenol Corp. (2) must be returned upon request; and (3) are confidential and not to be disclosed to any person other than those to whom they are given by Amphenol Corp. The furnishing of these drawings, specifications, or other data by Amphenol Corp., or to any other person to anyone for any purpose is not to be regarded by implication or otherwise in any manner licensing, granting rights or permitting such holder or any other person to manufacture, use or sell any product, process or design, patented or otherwise, that may in any way be related to or disclosed by said drawings, specifications, or other data.	CAD FILE I:\BNC\31-71052-10RFX		CODE ID 74868	DWG SIZE B	DRAWING NO. 31-71052-10RFX	SCALE: 3.0:1	SHEET 2 OF 2
						REV A	