

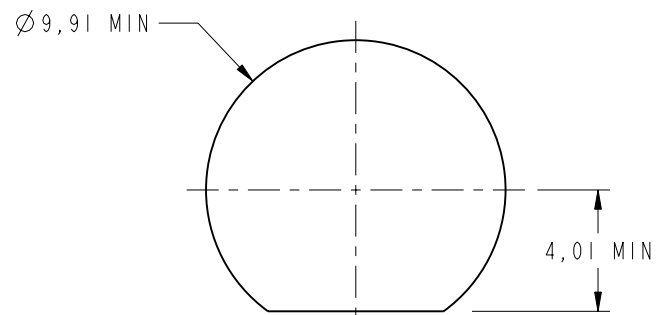
NOTES:

1. MATERIALS AND FINISHES:
 BODY - BRASS, NICKEL PLATING
 MALE CONTACT - BRASS SILVER PLATING
 FEMALE CONTACT - BeCu, SILVER PLATING
 INSULATOR - PA66+23%GF
2. ELECTRICAL:
 A. IMPEDANCE: 50 OHM
 B. FREQUENCY RANGE: DC - 2 GHz
3. MECHANICAL:
 A. DURABILITY: 500 CYCLES MIN.
 B. TEMPERATURE RANGE: -65° C TO +165° C
4. PACKAGING:
 A. QUANTITY: SINGLE PACK
 B. MARKING: BAG TO BE MARKED
 "AMPHENOL RF, 31-223, AND DATE CODE"

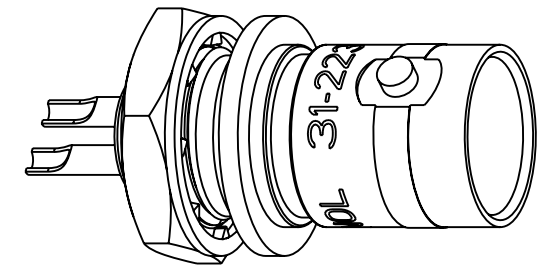
THIRD ANGLE PROJ.

REVISIONS

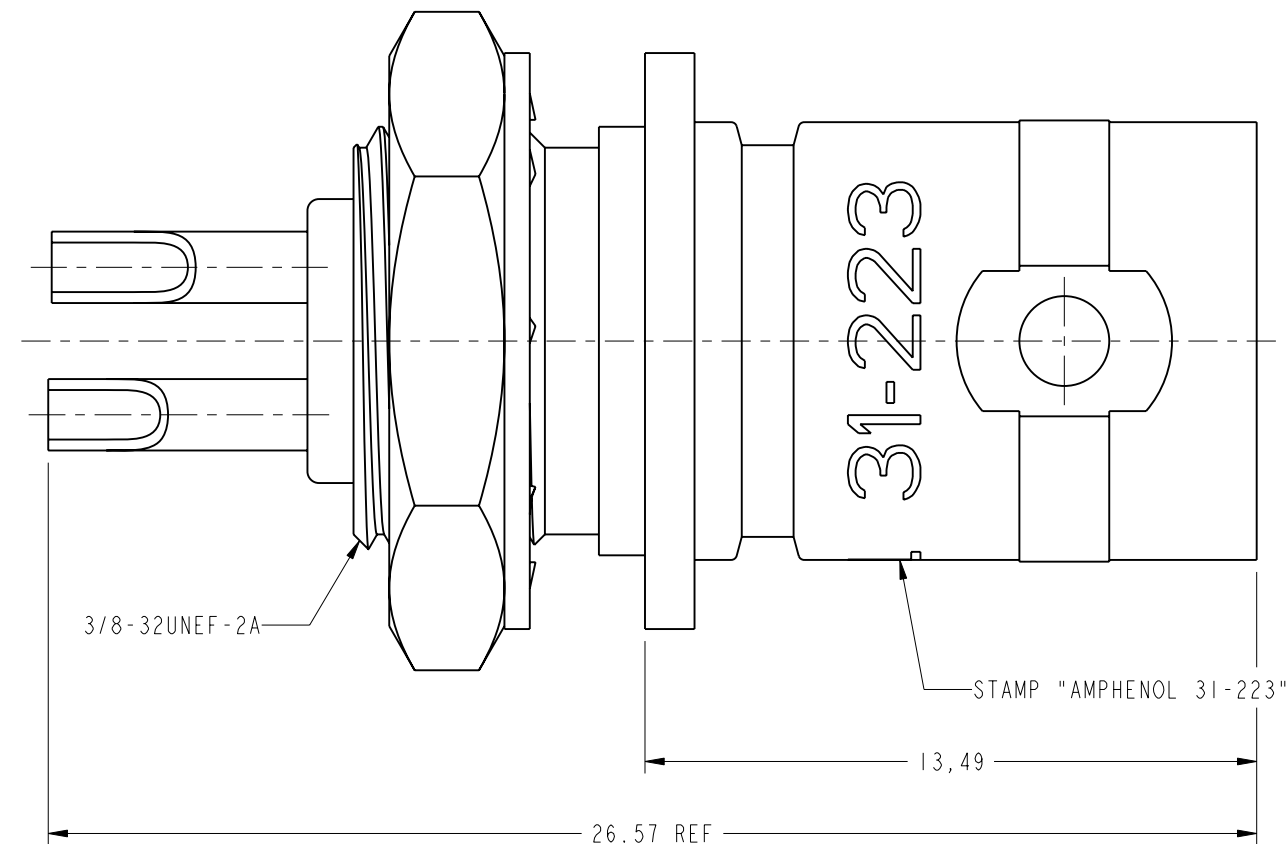
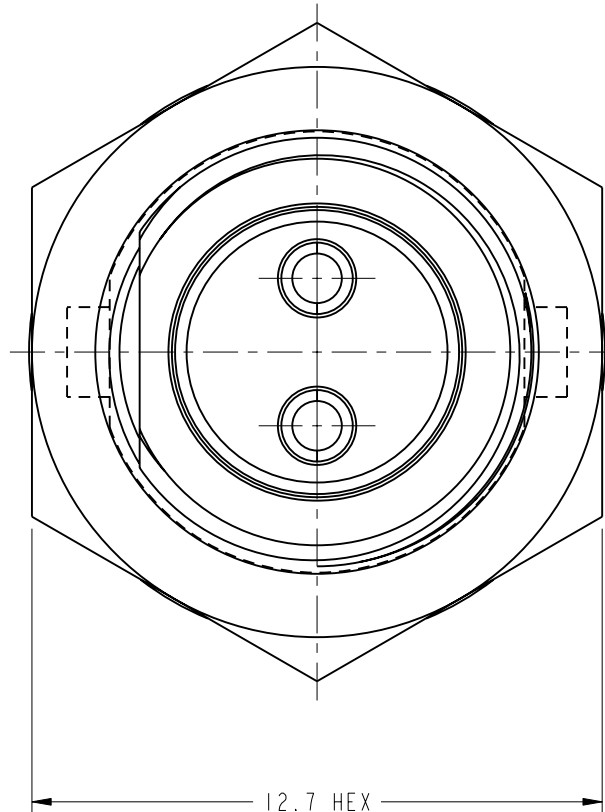
REV	DESCRIPTION	DATE	ECO	APPR
A	RELEASE TO MFG.	--	--	--
T	ADD '31-223' MARKING TO BAG	04-Jun-99	43003	CPM
U	SYNCH THE DRAWING WITH DANBURY\RD-DM11031401R3	23-Mar-11	48488	RM



RECOMMENDED MOUNTING HOLE DIMENSIONS



SCALE 2.500



CUSTOMER OUTLINE DRAWING

ALL OTHER SHEETS ARE FOR INTERNAL USE ONLY

UNLESS OTHERWISE SPECIFIED, DIMENSIONS ARE IN METRIC AND TOLERANCES ARE:
 <0.5mm ±0.05mm 0.5 - 6mm ±0.1mm 6 - 30mm ±0.2mm 30 - 120mm ±0.3mm ANGLES ±1°

NOTICE - These drawings, specifications, or other data (1) are, and remain the property of Amphenol corp. (2) must be returned upon request; and (3) are confidential and not to be disclosed to any person other than those to whom they are given by Amphenol Corp. the finishing of these drawings, specifications, or other data by Amphenol Corp., or to any other person to anyone for any purpose is not to be regarded by implication or otherwise in any manner licensing, granting rights to permitting such holder or any other person to manufacture, use or sell any product, process or design, patented or otherwise, that may in any way be related to or disclosed by said drawings, specifications, or other data.

MATERIAL -	DRAWN ROSE.MAO	DATE 23-Mar-11	TITLE SPECIAL TWIN CONTACT BNC RECEPTACLE	Amphenol RF Danbury CT USA, Tainan, Taiwan, Shenzhen, China www.amphenolrf.com	
	ENGINEER D.ROYCE	DATE 03-Apr-87			
	REFERENCE TEKTRONIX 100X-3308-1 DOR 22-25-5542	APPROVED SCOTT			DATE 23-Mar-11
	FINISH	Root Folder/BNC/31-223			SCALE: 6.0:1.0 SHEET 2 OF 2
		DWG SIZE B	REV U	DRAWING NO. 31-223	
				ITEM NO. 31-223	
				PART NO. 31-223	