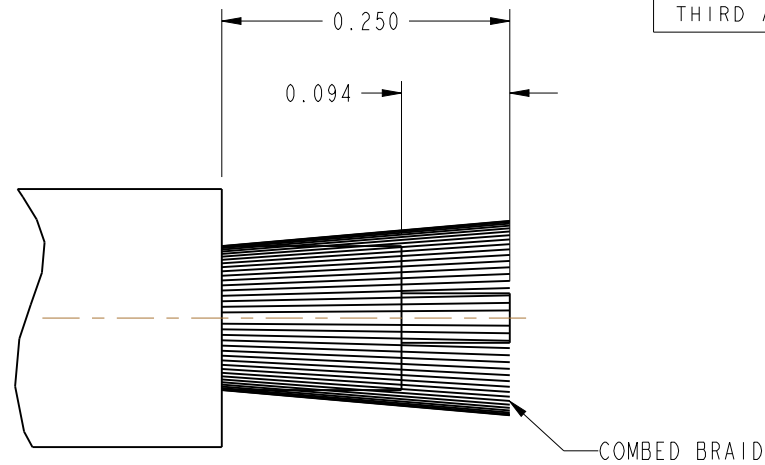


NOTES:

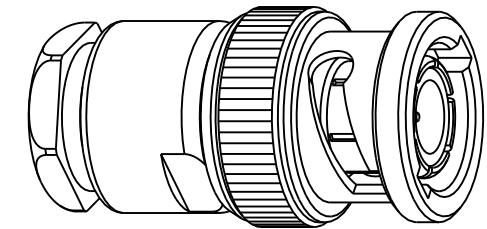
1. MATERIALS AND FINISHES:  
 BODY, COUPLING NUT, CLAMP, WASHER - BRASS, SILVER PLATING  
 CONTACT - BRASS, GOLD PLATING  
 INSULATOR - PTFE  
 RETAINING RING - BRASS, NICKEL PLATING
2. ELECTRICAL:  
 A. IMPEDANCE: 50 OHM
3. MECHANICAL:  
 A. DURABILITY: 500 CYCLES MIN.  
 B. TEMPERATURE RANGE: -65° C TO +165° C
4. PACKAGING:  
 A. QUANTITY: SINGLE PACK  
 B. MARKING: BAG TO BE MARKED  
 "AMPHENOL RF, 31-3301, AND DATE CODE"
5. SHOWS CABLE ENTRY DIMENSIONS.
6. FOR ASSEMBLY INSTRUCTIONS SEE C-25 ON AMPHENOL WEB SITE.  
 WWW.AMPHENOLRF.COM

31-3301		REVISIONS			
DRAWING NO.	REV	DESCRIPTION	DATE	ECO	APPR
THIRD ANGLE PROJ.	--	RELEASE TO MFG.	--	--	--
	W	REDRAWN IN PRO-E, ADD COD	7/14/11	47652	BM
	Y	ADD STAMPING TO COD	11/15/11	48803	CPM
	AA	UPDATED CABLE STRIPPING DIMENSIONS PER C-25	7/16/13	49641	RLB

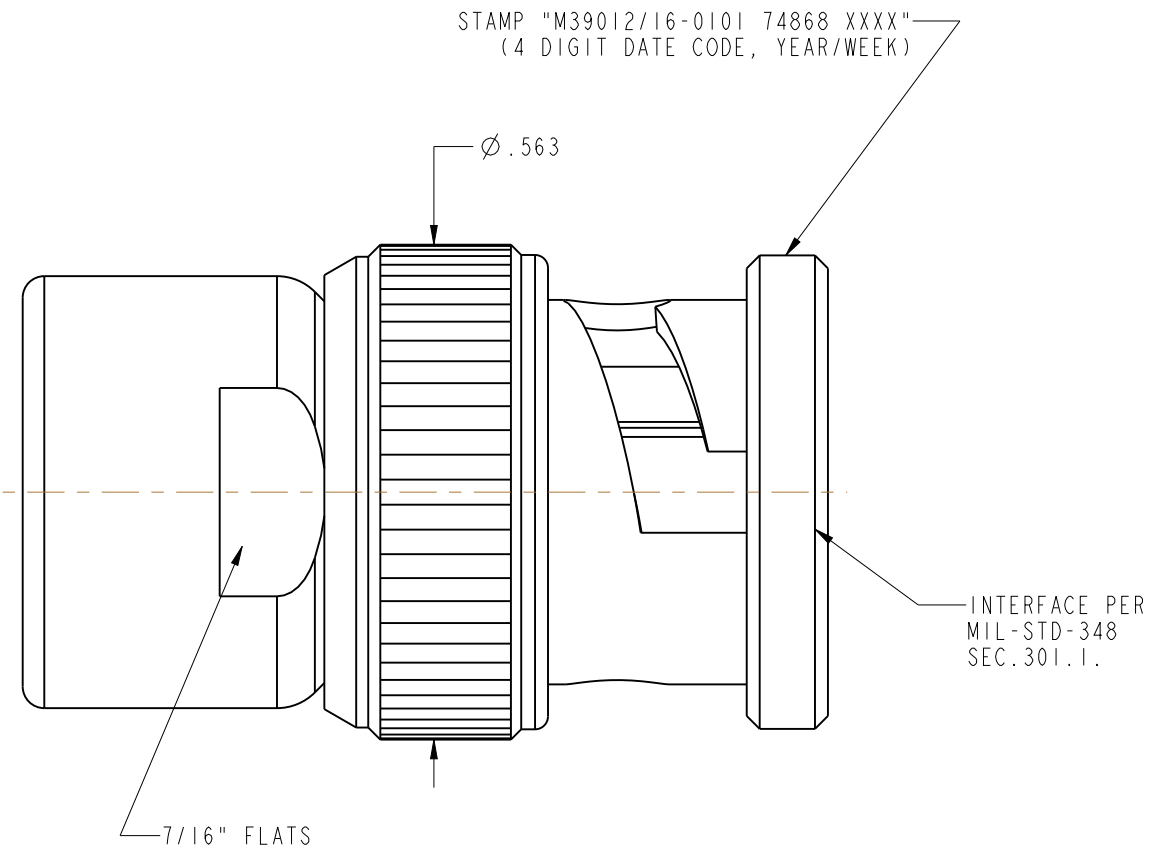
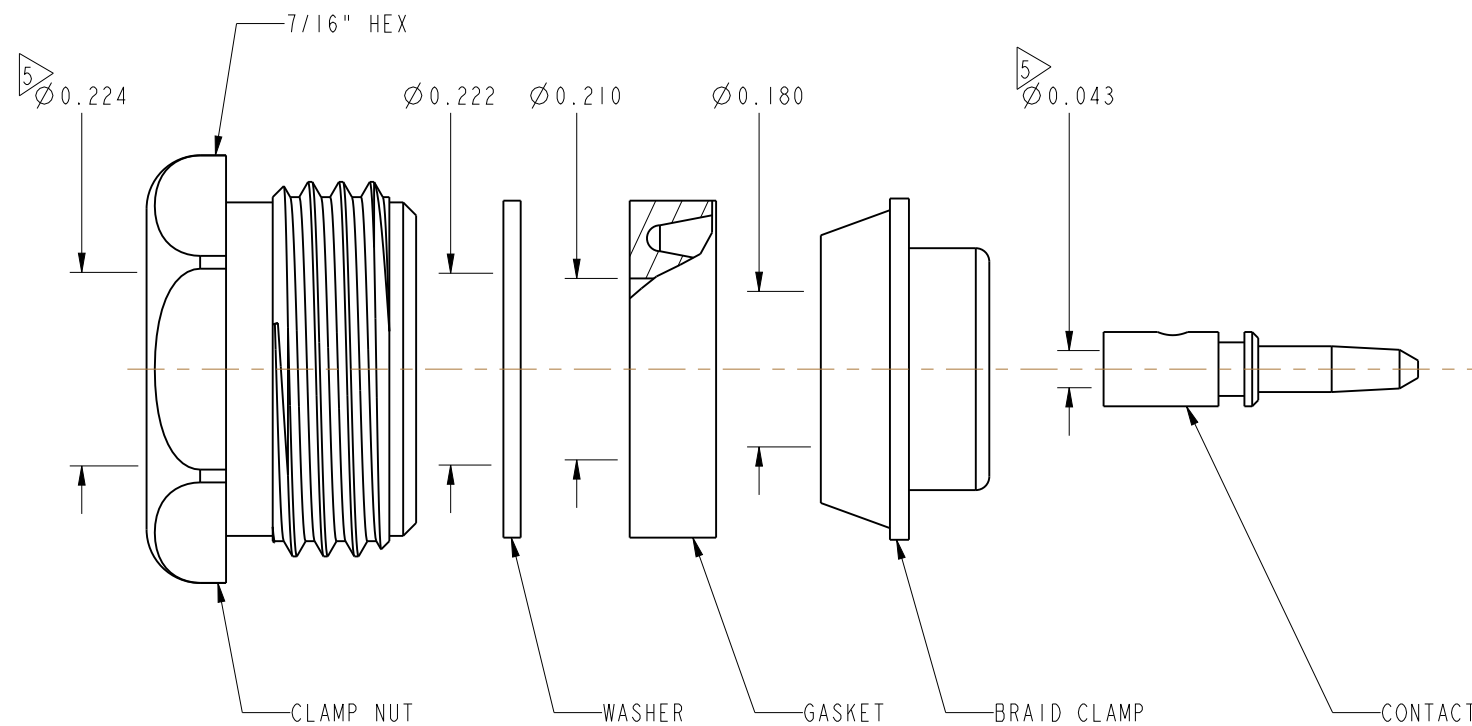


SCALE 6.000

**RECOMMENDED  
CABLE STRIPPING DIMENSIONS**



SCALE 2.000



**CUSTOMER OUTLINE DRAWING**  
 ALL OTHER SHEETS ARE FOR INTERNAL USE ONLY

UNLESS OTHERWISE SPECIFIED, DIMENSIONS ARE IN INCHES AND TOLERANCES ARE: 2 PLACE DECIMAL ±.015 (0,381 mm) 3 PLACE DECIMAL ±.005 (0,127 mm) ANGLES ± 1°	MATERIAL SEE NOTES	DRAWN BALAJI M	DATE 03-Jul-09	TITLE BNC PLUG, UG-CLAMP (CATEGORY A) FOR RG58, 223, 141 & 142/U CABLES	Amphenol RF Danbury, CT, USA Tainan, Taiwan Shenzhen, China www.amphenolrf.com
	REFERENCE MIL-C-39012/16-0101 E.P.A 802150-51	ENGINEER D. ROYCE	DATE 12-4-89		
NOTICE - These drawings, specifications, or other data (1) are, and remain the property of Amphenol Corp. (2) must be returned upon request; and (3) are confidential and not to be disclosed to any person other than those to whom they are given by Amphenol Corp. The furnishing of these drawings, specifications, or other data by Amphenol Corp., or to any other person to anyone for any purpose is not to be regarded by implication or otherwise in any manner licensing, granting rights or permitting such holder or any other person to manufacture, use or sell any product, process or design, patented or otherwise, that may in any way be related to or disclosed by said drawings, specifications, or other data.		CAD FILE I:\BNC\31-3301	CODE ID 74868	DWG SIZE B	DRAWING NO. 31-3301
					SCALE: 4.5:1
					REV AA