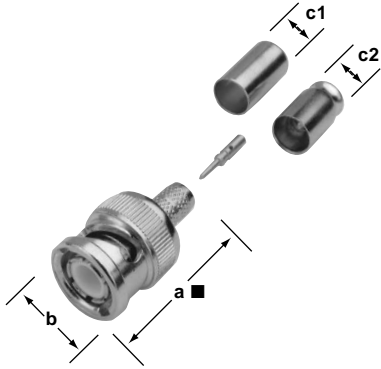


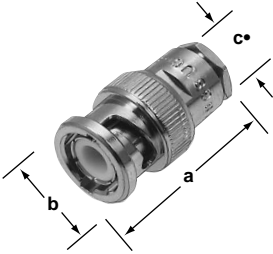
Fig. 1



BNC Crimp Plugs for Networking

31-5800
31-5900

Fig. 2



BNC Clamp Plugs

| | | |
|--------------|--------------------|----------------|
| 6775 | 31-2 | 31-3202 |
| 9350 | 31-2-RFX | 31-3301 |
| 15875 | 31-202 | 31-3302 |
| 16300 | 31-212 | |
| 69475 | 31-212-1005 | |
| 84975 | 31-212-RFX | |

BNC CRIMP-CRIMP CABLE PLUGS FOR NETWORKING

| Cable RG-/U | Dimensions, inches (millimeters) | | | | Notes | | | Amphenol Number | Fig. |
|---|----------------------------------|------------|-----------|------------|-------|------|------|--------------------|------|
| | a ■ | b | c• 1 | c• 2 | CAI | Plt. | Ins. | | |
| 58, 58A, 58B, 58C, 141, Plenum 58, Belden 9907, 89907, Comscope 2104K, 2135, 3104 | 1.11(28.2) | .563(14.3) | .209(5.3) | .181(4.60) | C26 | P15 | D26 | 31-5800 | 1 ▲ |
| 59 & 62, RG-59 20GACC, Plenum 59 & 62; Belden 1515A, 8212, 8221, 8241, 8241A, 8241F, 8263, 8279A, 9100, 9209, 9209A, 9240, 9244, 9259, 9274, 9275, 9659, 1426A, 82108, 88241, 82241, 89259, 82259, 1506A; AT&T 734A; Comscope 5553, 2020K, 3037V, 2249K | 1.11(28.2) | .563(14.3) | .261(6.6) | .220(5.59) | C26 | P15 | D26 | 31-5900 | |

BNC CLAMP CABLE PLUGS

| Cable RG-/U | Cable Attachment | | Dimensions, inches (millimeters) | | | Notes | | | Military Number | Amphenol Number | Fig. |
|----------------------------|------------------|--------|----------------------------------|------------|------------|-------|------|------|--------------------|--------------------|------|
| | Outer | Inner | a ■ | b | c• | CAI | Plt. | Ins. | | | |
| 6 | Clamp | Solder | 1.25(31.8) | .563(14.3) | .348(8.8) | C25 | P1 | D6 | — | 9350* | ▲ |
| 8, 9, 11, 213, 214 | Clamp | Solder | 1.66(42.1) | .688(17.5) | .437(11.1) | C25 | P1 | D1 | UG-959/U | 6775* | |
| 55, 58, 141, 142, 223, 400 | Clamp | Solder | 1.06(27.0) | .562(14.3) | .224(5.7) | C25 | P1 | D1 | UG-88C/U | 31-202* | |
| | Clamp | Solder | 1.06(27.0) | .563(14.3) | .221(5.6) | C25 | P1 | D1 | UG88E/U | 31-3202* | |
| 58, 141, 142, 400 | Clamp | Solder | .969(24.6) | .563(14.3) | .212(5.38) | C25 | P1 | D1 | UG-88/U | 31-2* | |
| | Clamp | Solder | 1.07(27.2) | .571(14.5) | .212(5.38) | C25 | P7 | D23 | — | 31-2-RFX | |
| | Clamp | Solder | 1.06(27.0) | .563(14.3) | .224(5.7) | C25 | P33 | D1 | M39012/16-0101 | 31-3301* | |
| 59, 62, 71, 140, 210, 302 | Clamp | Solder | 1.10(27.9) | .562(14.3) | .255(6.5) | C25 | P1 | D1 | UG260B/U | 31-212* | |
| | Clamp | Solder | 1.07(27.2) | .571(14.5) | .256(6.5) | C25 | P7 | D23 | — | 31-212-RFX | |
| | Clamp | Solder | 1.06(27.0) | .563(14.3) | .255(6.5) | C25 | P33 | D1 | M39012/16-0102 | 31-3302* | |
| 59 (20GA CC) | Clamp | Solder | 1.06(27.0) | .563(14.3) | .255(6.48) | C25 | P1 | D1 | — | 31-212-1005 | |
| 122 | Clamp | Solder | 1.06(27.0) | .563(14.3) | .177(4.5) | C25 | P1 | D1 | UG1033/U | 84975* | |
| 174, 179, 187, 188, 316 | Clamp | Solder | 1.06(27.0) | .563(14.3) | .116(2.9) | C25 | P1 | D1 | — | 69475* | |
| 178, 196 | Clamp | Solder | 1.00(25.4) | .563(14.3) | .094(2.39) | C25 | P1 | D9 | — | 15875* | |
| 180 | Clamp | Solder | 1.00(25.4) | .563(14.3) | .150(3.81) | C25 | P1 | D9 | — | 16300* | |

"b" dimension is body O.D. • accommodates cable diameter ▲ distributor stocked * recognized under the component program of U.L., Inc.
■ includes outer ferrule

