

NOTES:

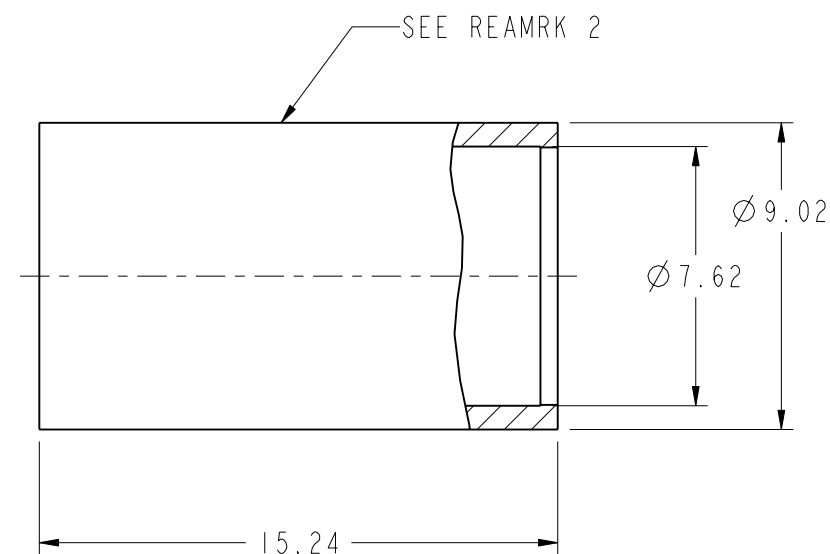
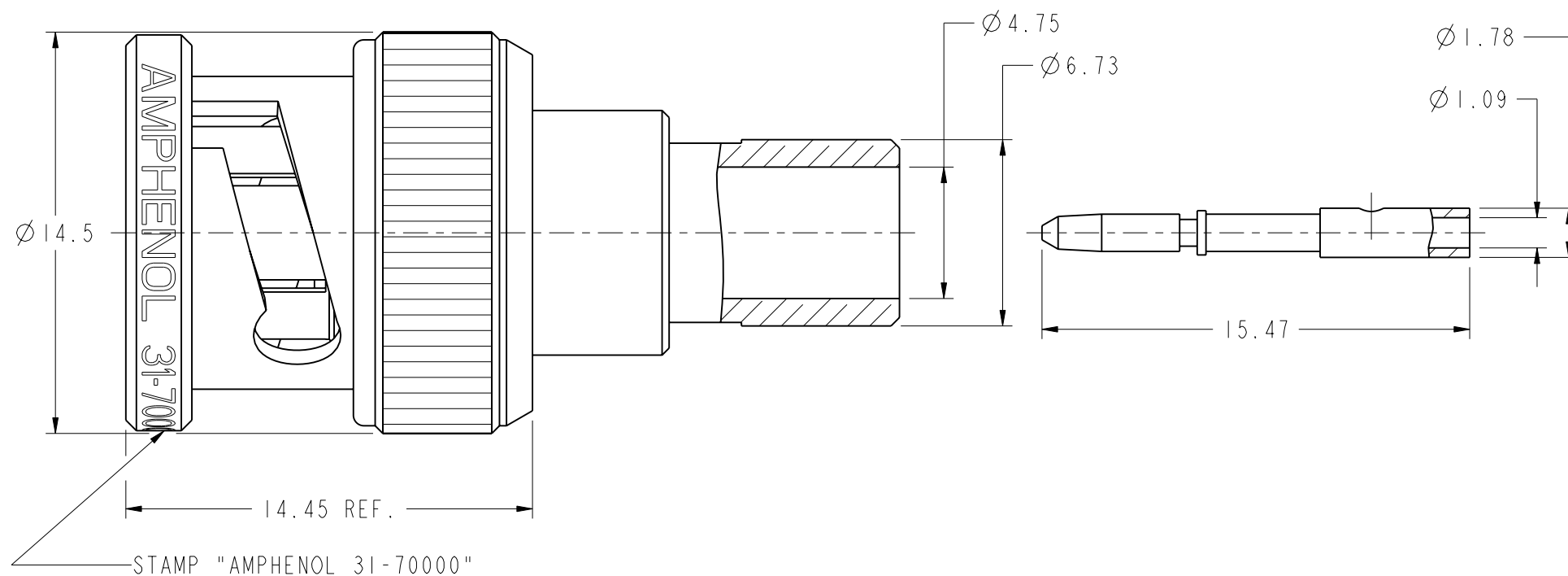
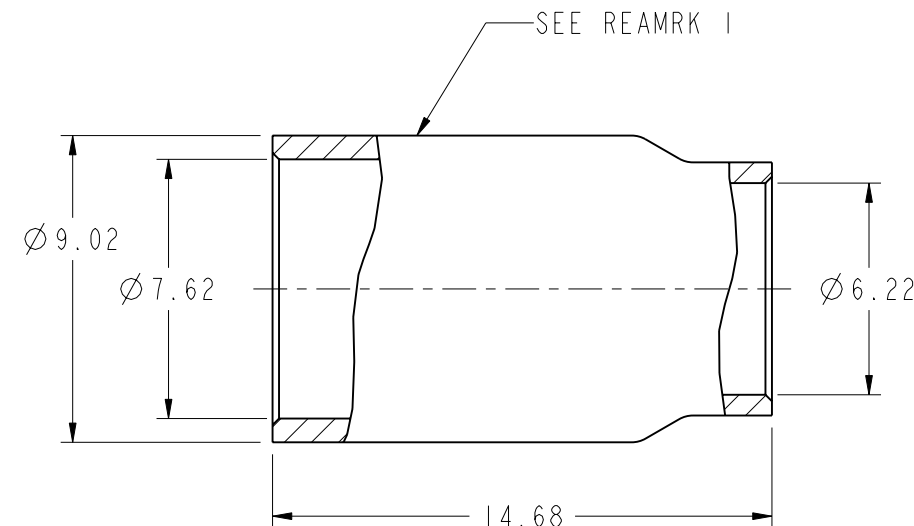
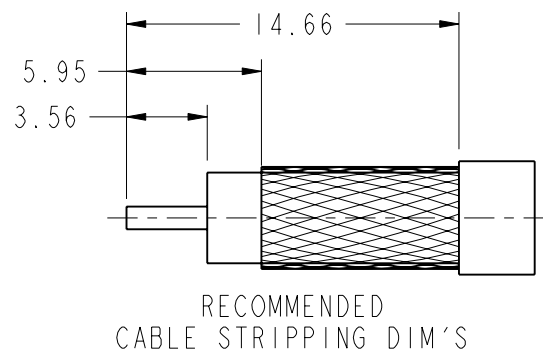
- MATERIALS AND FINISHES(PLATING THICKNESS IN MICRO-INCHES):
 BODY - BRASS, NICKEL PLATING
 CONTACT - BRASS, GOLD PLATING
 INSULATOR - PTFE, NATURAL
- ELECTRICAL:
 A. IMPEDANCE: 75 OHM
 B. FREQUENCY RANGE: DC 0-4 GHz
 C. DIELECTRIC WITHSTANDING VOLTAGE: 1500 VRMS, MIN.
- MECHANICAL:
 A. DURABILITY: 500 CYCLES MIN.
 B. TEMPERATURE RANGE: - 65 °C to +165 °C
- WHEN CRIMPING CONTACT PIN TO CABLE, CRIMP WITH AMPHENOL TOOL 227-944 (M22520/5-01) AND DIE SET 227-980-3, CAVITY 'B'(CTL-8, .052 DIAMOND)
- WHEN CRIMPING FERRULE TO CABLE, CRIMP WITH AMPHENOL TOOL 227-944 (M22520/5-01) AND DIE SET 227-980-3, CAVITY 'A' (CTL-8, .324 HEX)

- REMARK: 1.USE WITH CABLES : BELDEN 1695A, 82248 & 89248
 2.USE WITH CABLES : BELDEN 1694A, 1695A, 9114, 9248, 82248 & 89248

THIRD ANGLE PROJ.

REVISIONS

REV	DESCRIPTION	DATE	ECO	APPR
B	ROLLING WAS STAKEVRD-DA05091401J	14-Sep-05		JACK
C	SEE SHEET I	28-Sep-06		MARK
K	REDRAWN TO UPDATE FORMAT	11-Dec-08	47208	SH
L	SEE SHEET I	19-Feb-10	47921	SH



CUSTOMER OUTLINE DRAWING

ALL OTHER SHEETS ARE FOR INTERNAL USE ONLY

UNLESS OTHERWISE SPECIFIED, DIMENSIONS ARE IN METRIC AND TOLERANCES ARE: <0.5mm ±0.05mm 0.5 - 6mm ±0.1mm 6 - 30mm ±0.2mm 30 - 120mm ±0.3mm ANGLES ±1°	MATERIAL	DRAWN T.DENG	DATE 21-Jan-10	TITLE BNC PLUG (75 OHM) FOR RG 6/U TYPE CABLE (Ø295MAX) SINGLE SHIELD	Amphenol RF Danbury CT USA, Tainan, Taiwan, Shenzhen, China www.amphenolrf.com
	REFERENCE	ENGINEER D ROYCE	DATE 30-Jan-92		
NOTICE - These drawings, specifications, or other data (1) are, and remain the property of Amphenol corp. (2) must be returned upon request; and (3) are confidential and not to be disclosed to any person other than those to whom they are given by Amphenol Corp. the furnishing of these drawings, specifications, or other data by Amphenol Corp., or to any other person to anyone for any purpose is not to be regarded by implication or otherwise in any manner licensing, granting rights to permitting such holder or any other person to manufacture, use or sell any product, process or design, patented or otherwise, that may in any way be related to or disclosed by said drawings, specifications, or other data.	FINISH	APPROVED S.HSIEH	DATE 19-Feb-10	SCALE: 4.5:1.0 SHEET 2 OF 2	ITEM NO. 31-70000
			CAD FILE I:/BNC/31-70000		DWG SIZE B REV L