

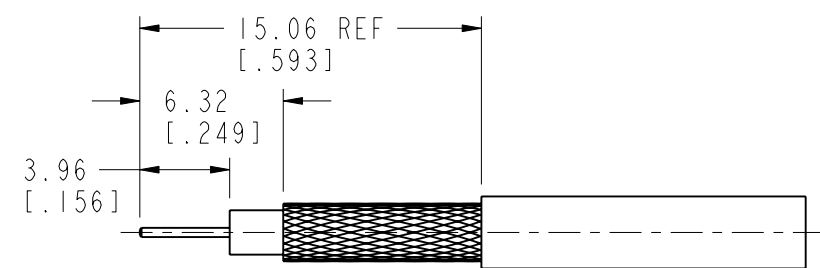
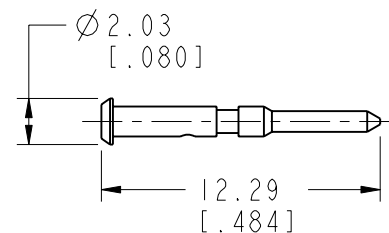
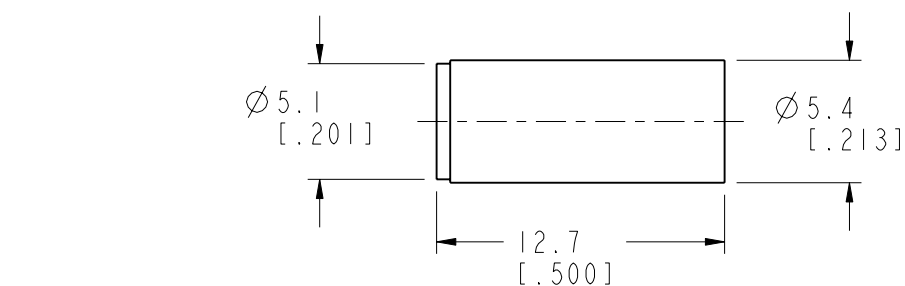
NOTES:

1. MATERIALS AND FINISHES: (PLATING THICKNESS IN MICRO-INCHES)  
 OUTER CONTACT- PHOSPHOR BRONZE, NICKEL PLATING  
 FRONT BODY - ZINC ALLOY, NICKEL PLATING  
 CRIMP CONTACT - BRASS, GOLD PLATING  
 INSULATOR - PTFE
2. ELECTRICAL:  
 A. IMPEDANCE: 75 OHM  
 B. FREQUENCY RANGE: DC - 3 GHz  
 C. VSWR(RETURN LOSS): 1.10 UP TO 2 GHz (-26.44 dB), 1.16 UP TO 3 GHz (-22.61 dB)  
 D. DIELECTRIC WITHSTANDING VOLTAGE: 1500 VRMS, MIN.  
 E. WORKING VOLTAGE: 500 VAC PEAK
3. MECHANICAL:  
 A. DURABILITY: 500 CYCLES MIN.  
 B. TEMPERATURE RANGE: -40° C TO +85° C
4. CRIMPED FERRULE  
 HEX CRIMP SIZE .178"
5. CRIMPED CONTACT PIN  
 SQ. CRIMP SIZE .042"  
 OR A 8 PT CRIMPER AMPHENOL NUMBER 227-T1200

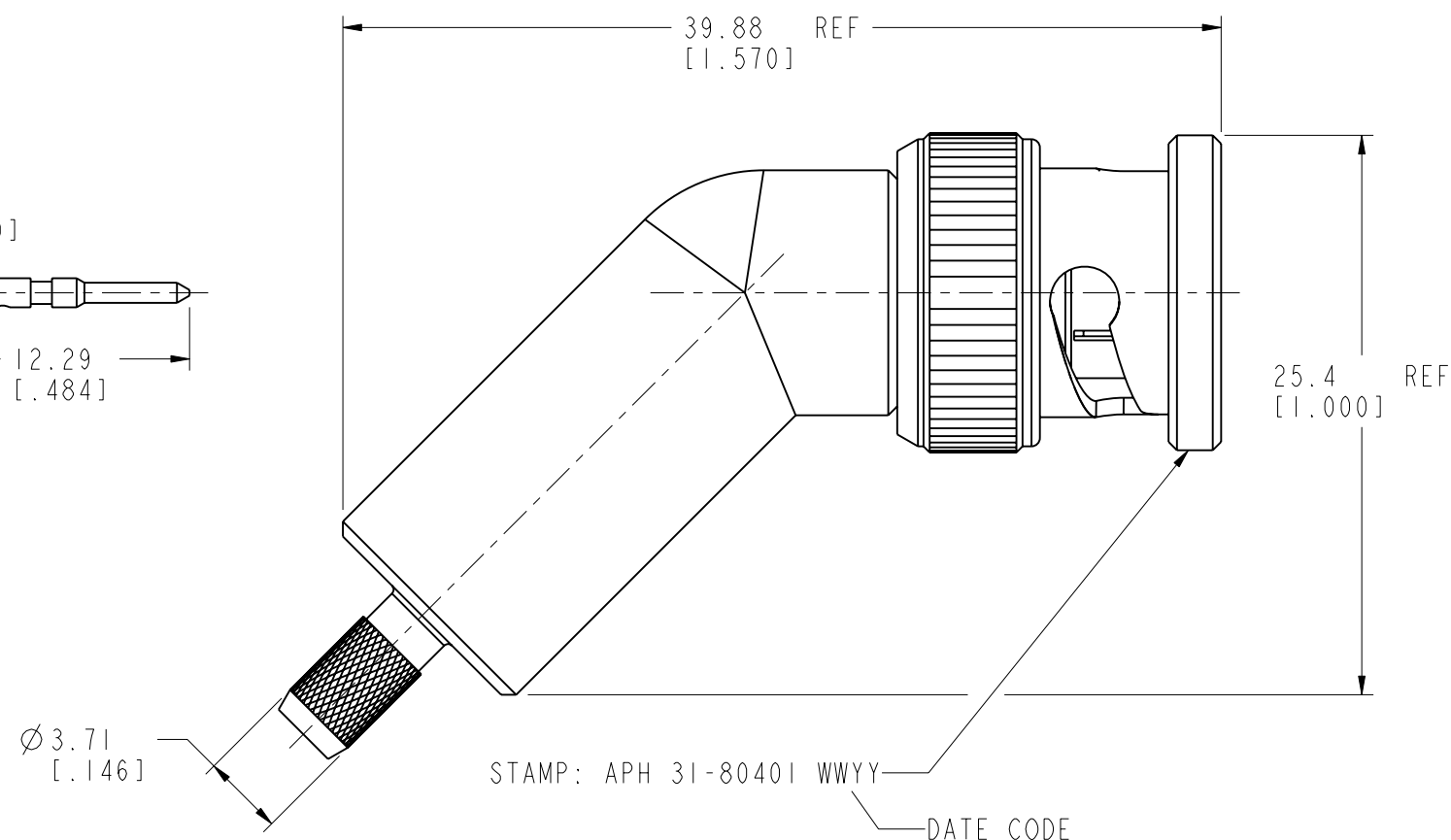
THIRD ANGLE PROJ.

REVISIONS

REV	DESCRIPTION	DATE	ECO	APPR
A	RELEASE TO MFG.	8/17/06	46206	GSA
B	NOTE 5 WAS CHANGED \ RD-DM09081101K	8/6/07	46681	TC
C	227-T1200 WAS CTL-T1200\RD-DM110704011	15-Jul-11	48649	DH
D	STAMP WAS CHANGED/ RD-DM110825011	07-Sep-11	48757	SCOTT



RECOMMENDED CABLE STRIPPING DIMENSIONS



**CUSTOMER OUTLINE DRAWING**

ALL OTHER SHEETS ARE FOR INTERNAL USE ONLY

UNLESS OTHERWISE SPECIFIED, DIMENSIONS ARE IN METRIC AND TOLERANCES ARE: <0.5mm ±0.05mm    0.5 - 6mm ±0.1mm    6 - 30mm ±0.2mm    30 - 120mm ±0.3mm    ANGLES ±1°	MATERIAL	DRAWN	DATE	TITLE BNC 45° ANGLE PLUG FOR RG-179 CABLE	Amphenol RF Danbury CT USA, Tainan, Taiwan, Shenzhen, China www.amphenolrf.com
	SEE NOTE	I. XU	26-Aug-11		
NOTICE - These drawings, specifications, or other data (1) are, and remain the property of Amphenol corp. (2) must be returned upon request; and (3) are confidential and not to be disclosed to any person other than those to whom they are given by Amphenol Corp. the finishing of these drawings, specifications, or other data by Amphenol Corp., or to any other person to anyone for any purpose is not to be regarded by implication or otherwise in any manner licensing, granting rights to permitting such holder or any other person to manufacture, use or sell any product, process or design, patented or otherwise, that may in any way be related to or disclosed by said drawings, specifications, or other data.	REFERENCE	ENGINEER	DATE	SCALE: 3.0:1.0   SHEET 2 OF 2	DRAWING NO. 31-80401
	EAR# 1674 AND	G. ANTONINI	21-Mar-05		APPROVED
	CONFIGURATION LEVEL: Released	S. HSIEH	05-Sep-11	CAD FILE	DWG SIZE
FINISH		I:\BNC\31-80401		B	D