

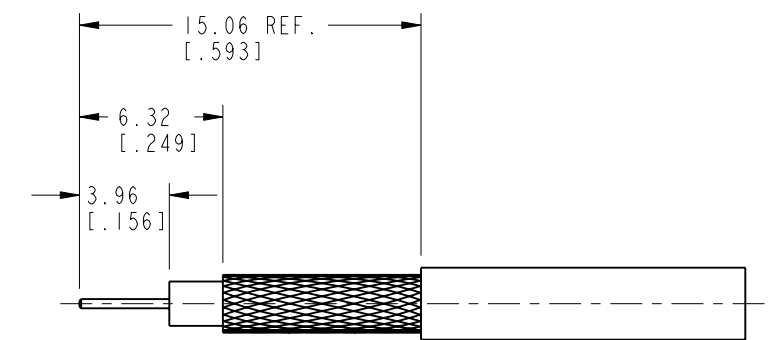
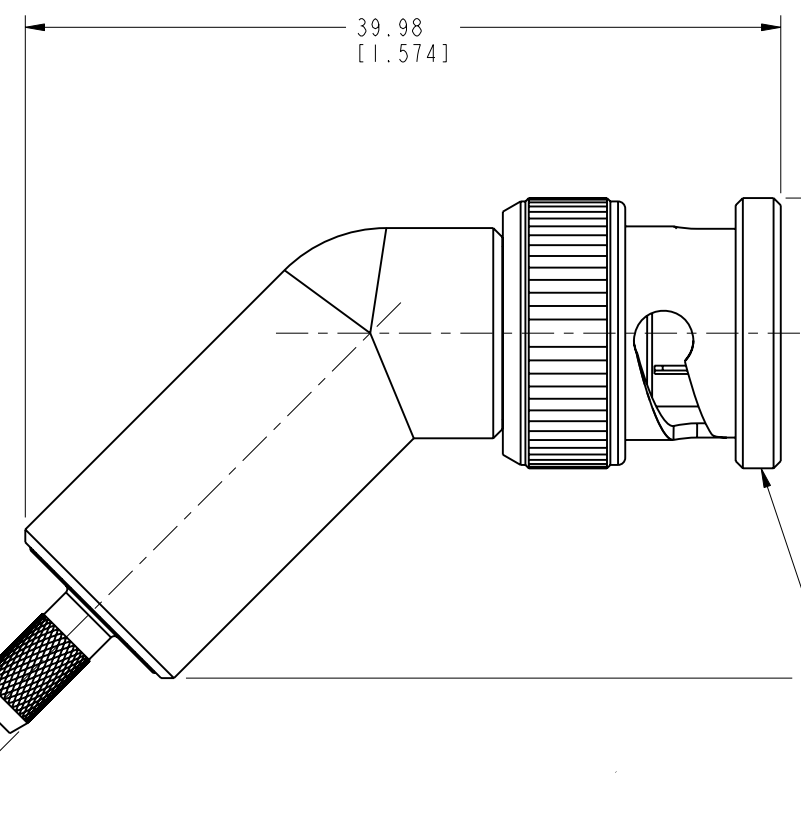
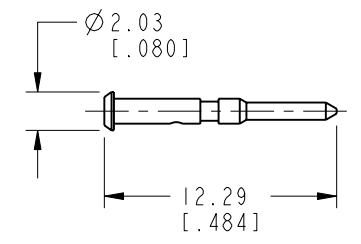
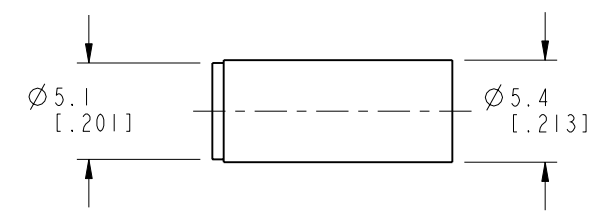
NOTES:

1. MATERIALS AND FINISHES:  
 OUTER CONTACT- PHOSPHOR BRONZE, NICKEL PLATING (.0001 THICK)  
 FRONT BODY - ZINC ALLOY, NICKEL PLATING (.00015 THICK)  
 CRIMP CONTACT - BRASS, GOLD PLATING (.00003 THICK)  
 INSULATOR - PTFE
2. ELECTRICAL:  
 A. IMPEDANCE: 75 OHM  
 B. FREQUENCY RANGE: DC - 3 GHz  
 C. VSWR(RETURN LOSS): 1.10 UP TO 2 GHz, 1.16 UP TO 3 GHz  
 D. DIELECTRIC WITHSTANDING VOLTAGE: 1500 VRMS, MIN.  
 E. WORKING VOLTAGE: 500 VAC PEAK
3. MECHANICAL:  
 A. DURABILITY: 500 CYCLES MIN.  
 B. TEMPERATURE RANGE: -40° C TO + 85° C
3. CRIMPED FERRULE  
 HEX CRIMP SIZE .178"
4. CRIMPED CONTACT PIN  
 SQ. CRIMP SIZE .042"  
 OR A 8 PT CRIMPER AMPHENOL NUMBER 227-T1200

THIRD ANGLE PROJ.

REVISIONS

REV	DESCRIPTION	DATE	ECO	APPR
A	RELEASE TO MFG	8/17/06	46206	GSA
B	SEE SHEET 1	8/6/07	46681	TC
C	227-T1200 WAS CTL-T1200\RD-DM110704011	15-Jul-11	48649	DH
D	STAMP WAS CHANGED/ RD-DM110825011	07-Sep-11	48757	SCOTT



RECOMMENDED  
CABLE STRIPPING DIMENSIONS

25.4 REF  
[±1.000]

STAMP: APH 31-80405 WWYY

DATE CODE

**CUSTOMER OUTLINE DRAWING**  
ALL OTHER SHEETS ARE FOR INTERNAL USE ONLY

UNLESS OTHERWISE SPECIFIED, DIMENSIONS ARE IN METRIC AND TOLERANCES ARE:  
 <0.5mm ±0.05mm    0.5 - 6mm ±0.1mm    6 - 30mm ±0.2mm    30 - 120mm ±0.3mm    ANGLES ±1°

NOTICE - These drawings, specifications, or other data (1) are, and remain the property of Amphenol corp. (2) must be returned upon request; and (3) are confidential and not to be disclosed to any person other than those to whom they are given by Amphenol Corp. the finishing of these drawings, specifications, or other data by Amphenol Corp., or to any other person to anyone for any purpose is not to be regarded by implication or otherwise in any manner licensing, granting rights to permitting such holder or any other person to manufacture, use or sell any product, process or design, patented or otherwise, that may in any way be related to or disclosed by said drawings, specifications, or other data.

MATERIAL SEE NOTE	DRAWN I.XU	DATE 26-Aug-11	TITLE BNC 45° ANGLE PLUG BNC, PLUG	Amphenol RF Danbury CT USA, Tainan, Taiwan, Shenzhen, China www.amphenolrf.com
	ENGINEER G.ANTONINI	DATE 21-Mar-05		
REFERENCE EAR# 1674 AND	APPROVED S.HSIEH	DATE 05-Sep-11	SCALE: 2.5:1.0	SHEET 2 OF 2
CONFIGURATION LEVEL:	CAD FILE I:/BNC/31-80405-ASM		DWG SIZE B	REV D
FINISH				DRAWING NO.31-80405 ITEM NO.31-80405 PART NO.31-80405