

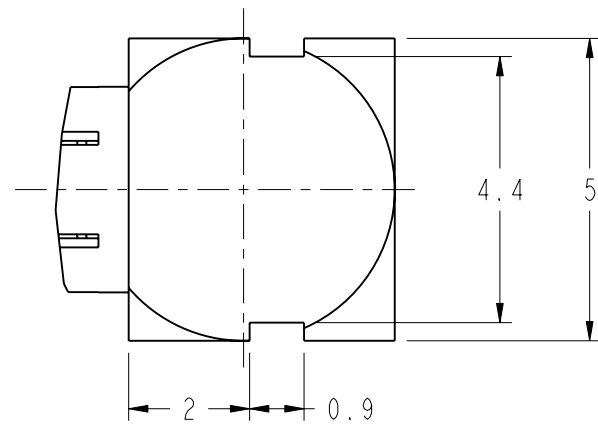
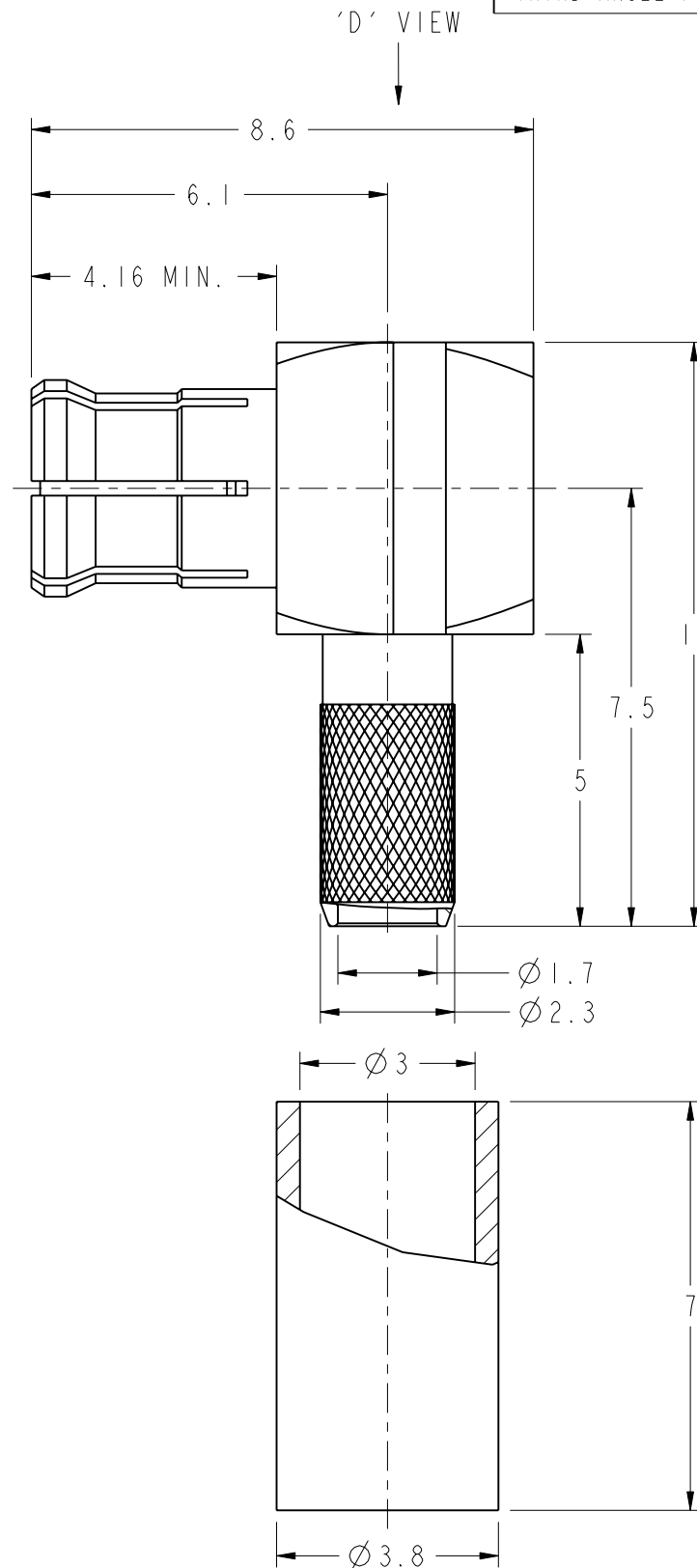
NOTES:

1. MATERIAL AND FINISH:  
 HOUSING - BRASS, GOLD PLATING  
 BODY - BERYLLIUM COPPER, GOLD PLATING  
 CONTACT PIN - BRASS, GOLD PLATING  
 COVER - BRASS, GOLD PLATING  
 FERRULE - COPPER, GOLD PLATING  
 INSULATOR - PTFE, NATURAL  
 INSULATOR - DERLIN, NATURAL
2. ELECTRICAL:  
 A. IMPEDANCE: 50 OHM  
 B. FREQUENCY RANGE: 0-6 GHz  
 C. DIELECTRIC WITHSTANDING VOLTAGE: 1000 VRMS. MIN.
3. MECHANICAL:  
 A. DURABILITY: 500 CYCLES MIN.  
 B. TEMPERATURE RANGE: -40°C TO +85°C
4. CRIMPED FERRULE  
 HEX CRIMP SIZE .128"
5. CONTACT PIN TO SOLDER

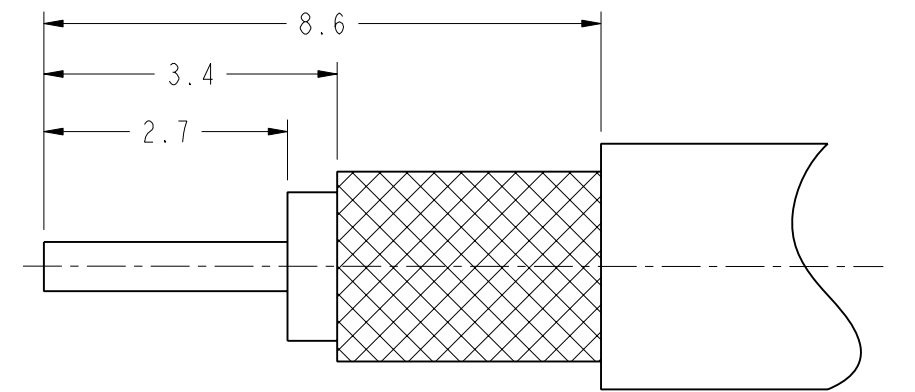
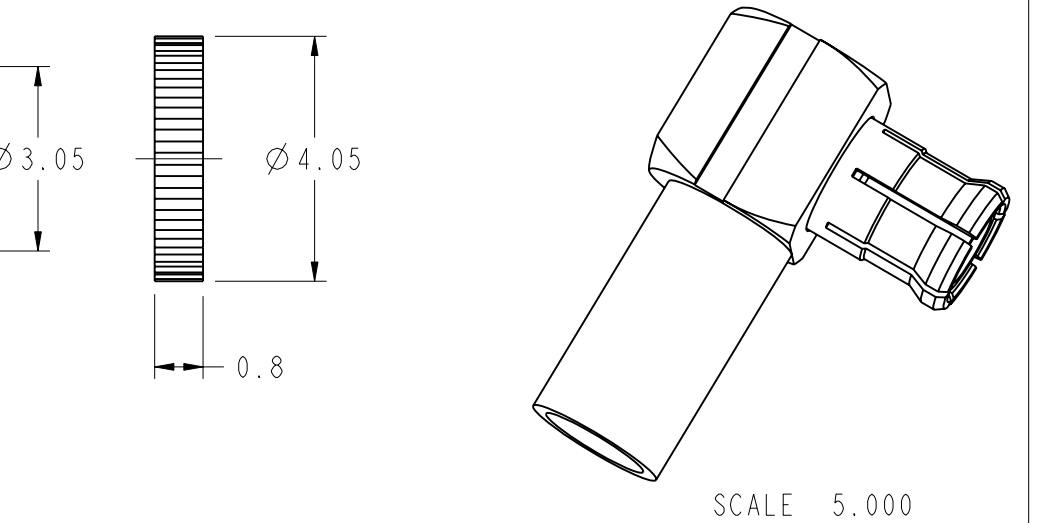
THIRD ANGLE PROJ.

REVISIONS

REV	DESCRIPTION	DATE	ECO	APPR
A	RELEASE TO MFG .	7/26/99'	43080	
B	NO.2 WAS CHANGED\ RD-DM89011401B	01-14-00'		
C	NO.1 WAS CHANGED\ RD-DM89082401Y	08-24-00'		
D	NO.3 WAS CHANGED\ RD-DM90091401H	09-24-01'		
E	NO.2 WAS CHANGED\ RD-DM91072501L	10-29-02'		
F	NO.5 WAS CHANGED\ RD-DM92061201L	06-12-03'		
G	NO.2 WAS CHANGED\ RD-DM08071801JI	07-24-08'		SCOTT
H	UPDATED DRAWING WITH GLOBAL FORMAT	09-Jan-12	48910	SCOTT



D VIEW  
SCALE 8.000



RECOMMENDED  
CABLE STRIPPING DIMENSIONS

**CUSTOMER OUTLINE DRAWING**  
ALL OTHER SHEETS ARE FOR INTERNAL USE ONLY

UNLESS OTHERWISE SPECIFIED, DIMENSIONS ARE IN METRIC AND TOLERANCES ARE: <0.5mm ±0.05mm    0.5 - 6mm ±0.1mm    6 - 30mm ±0.2mm    30 - 120mm ±0.3mm    ANGLES ±1°	MATERIAL	DRAWN	DATE	TITLE MCX R/A CRIMP PLUG FOR RG-174/U, 188A/U, 316U CABLE	Amphenol RF Danbury CT USA, Tainan, Taiwan, Shenzhen, China www.amphenolrf.com
	SEE NOTES	I.XU	06-Jan-12		
NOTICE - These drawings, specifications, or other data (1) are, and remain the property of Amphenol corp. (2) must be returned upon request; and (3) are confidential and not to be disclosed to any person other than those to whom they are given by Amphenol Corp. the furnishing of these drawings, specifications, or other data by Amphenol Corp., or to any other person to anyone for any purpose is not to be regarded by implication or otherwise in any manner licensing, granting rights to permitting such holder or any other person to manufacture, use or sell any product, process or design, patented or otherwise, that may in any way be related to or disclosed by said drawings, specifications, or other data.	REFERENCE	ENGINEER	DATE	SCALE: 5.0:1.0	DRAWING NO. MCX1112A1-3GT30G-316U-50 ITEM NO. 081112AAA36GE5F PART NO. 919-104P-51AX
	EAR 967292-0	CISSY	24-July-08	SHEET 2 OF 2	
CONFIGURATION LEVEL:	APPROVED	DATE		DWG SIZE	REV
FINISH	S.HSIEH	06-Jan-12		B	H