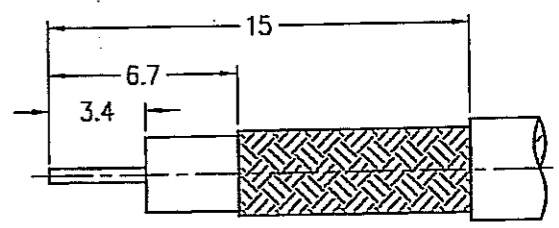
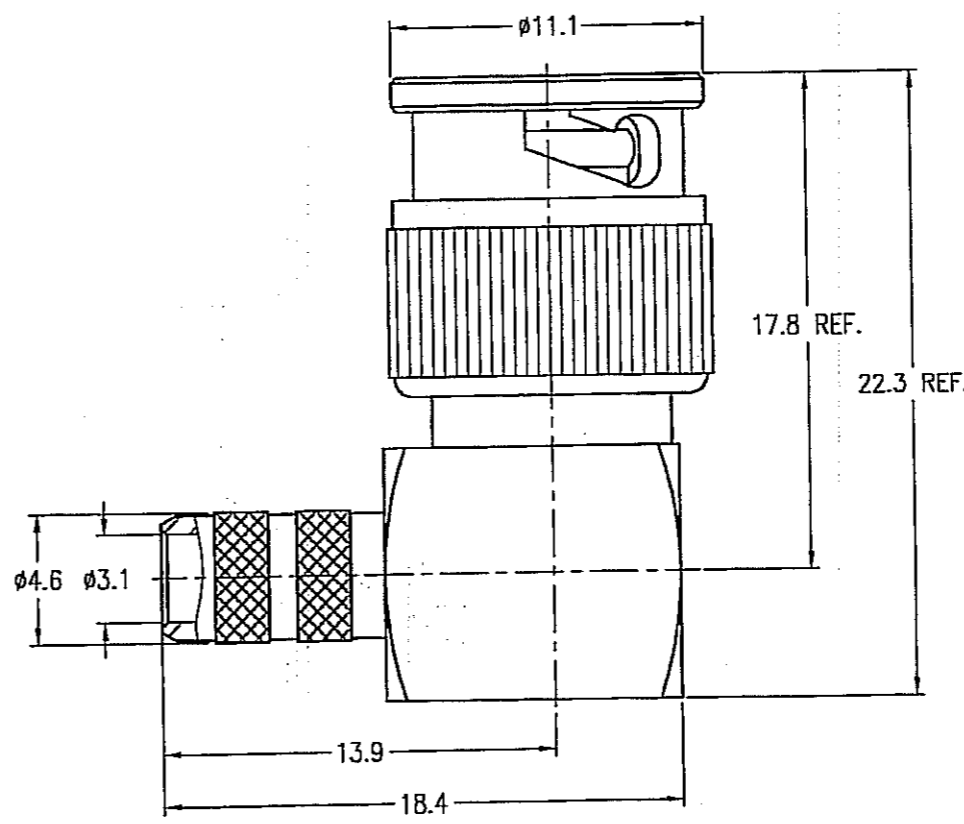
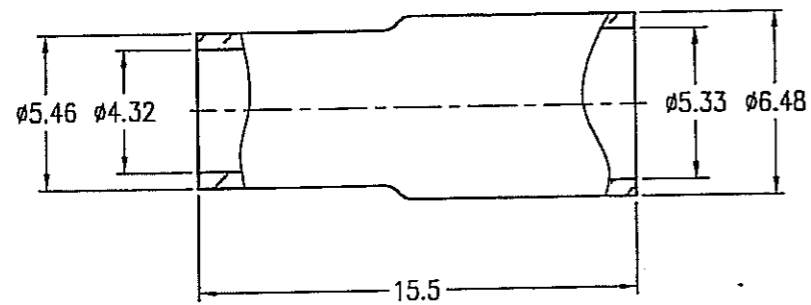


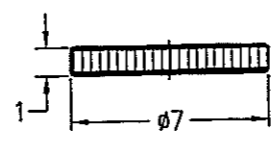
NOTES:

- MATERIALS AND FINISHES(PLATING THICKNESS IN MICRO-INCHES):
 BODY - PHOSPHOR BRONZE, NICKEL PLATING
 CONTACT - BRASS, GOLD PLATING
 INSULATOR - PTFE
- ELECTRICAL:
 A. IMPEDANCE: 75 OHM
 B. FREQUENCY RANGE: DC-1 GHz
 C. VSWR(RETURN LOSS): 1.5 MAX.
 D. DIELECTRIC WITHSTANDING VOLTAGE: 750 VRMS, MIN.
- CRIMPED FERRULE
 HEX CRIMP SIZE .213"
 CONTACT PIN TO SOLDER

MNB1112A1-NT30G-1855A-75		REVISIONS		
DRAWING NO.	REV	DESCRIPTION	DATE	ECO
THIRD ANGLE PROJ.	A	RELEASE TO MFG.	9/15/06	46130
				APPR KL



RECOMMENDED
CABLE STRIPPING DIM'S



CUSTOMER OUTLINE DRAWING
ALL OTHER SHEETS ARE FOR INTERNAL USE ONLY

GLOBAL P/N
31-70340

UNLESS OTHERWISE SPECIFIED, DIMENSIONS ARE IN METRIC AND TOLERANCES ARE:
 0.5 - 6mm ±0.1mm 6 - 30mm ±0.2mm 30 - 120mm ±0.3mm ANGLES ±1°

NOTICE - These drawings, specifications, or other data (1) are, and remain the property of Amphenol Corp. (2) must be returned upon request; and (3) are confidential and not to be disclosed to any person other than those to whom they are given by Amphenol Corp. The furnishing of these drawings, specifications, or other data by Amphenol Corp., or to any other person to anyone for any purpose is not to be regarded by implication or otherwise in any manner licensing, granting rights or permitting such holder or any other person to manufacture, use or sell any product, process or design, patented or otherwise, that may in any way be related to or disclosed by said drawings, specifications, or other data.

MATERIAL	DRAWN KATE	DATE 09-Jun-06	TITLE MINI BNC R/A CRIMP PLUG (FOR BELDEN 1855A CABLE)	Amphenol RF Danbury, CT, USA Tainan, Taiwan Shenzhen, China www.amphenolrf.com	
REFERENCE	ENGINEER <i>[Signature]</i>	DATE 09-Jun-06	APPROVED <i>[Signature]</i>	DATE 6/12/06	ITEM NO. 311112AAA17NC7F
FINISH	CAD FILE F:\DWG\MNB\1112A1\1855A-75\NT30GSZ	CODE ID 74868	DWG SIZE B	DRAWING NO. MNB1112A1-NT30G-1855A-75	SCALE: 3/1
PART NO.					SHEET 2 OF 2
					REV A