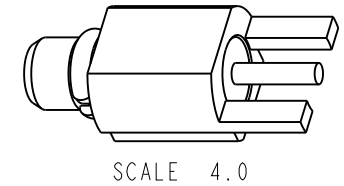
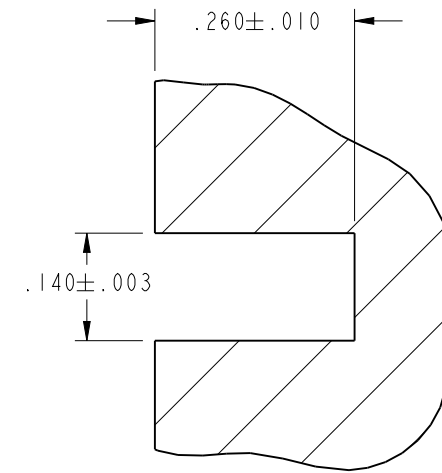
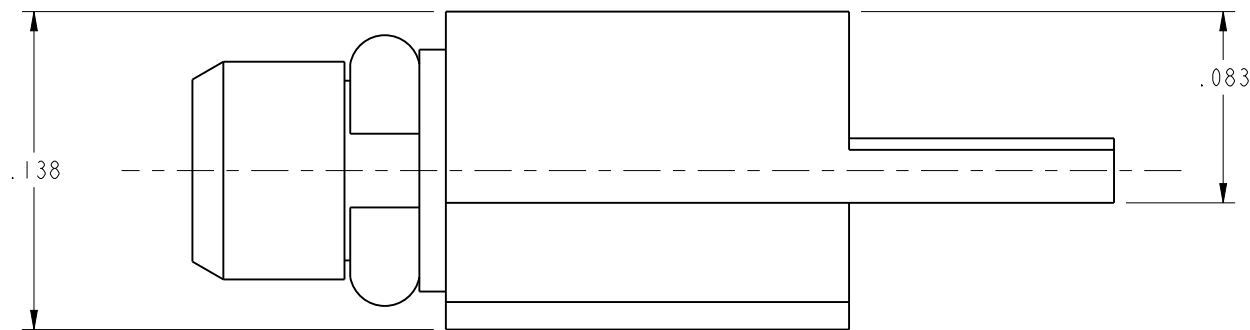
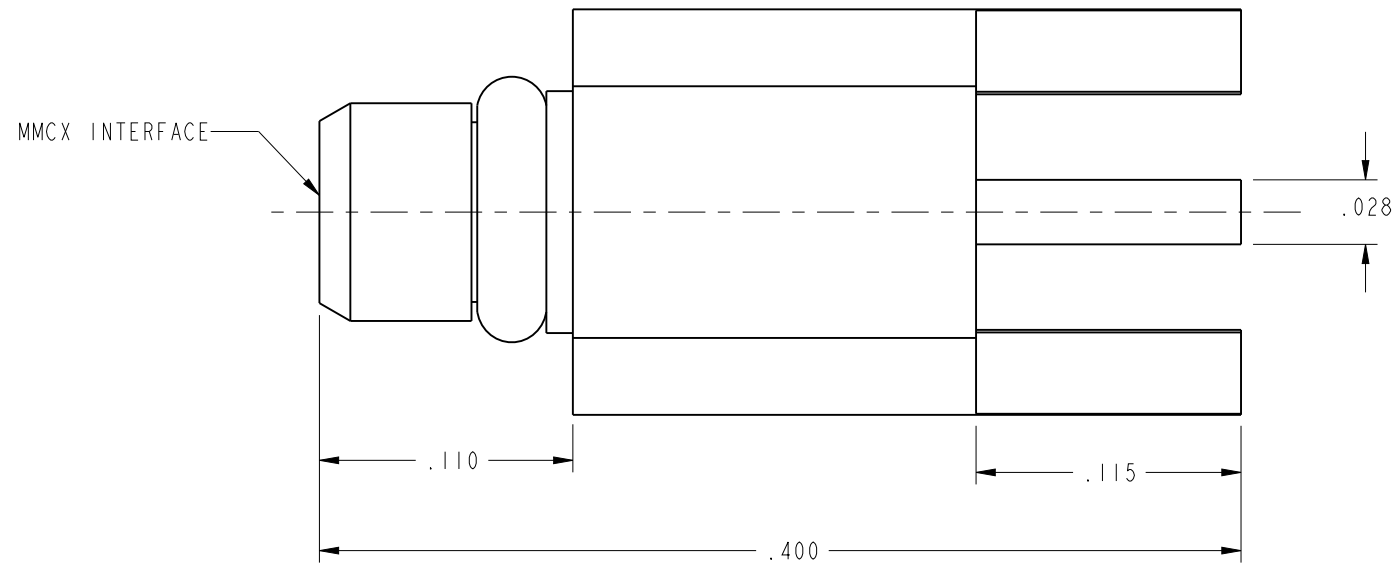


NOTES:

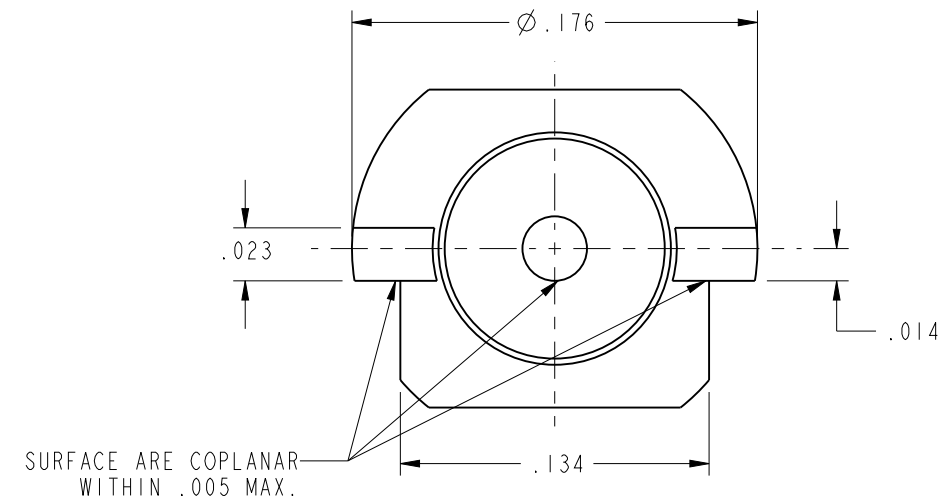
- DO NOT SCALE THIS DRAWING.
- MATERIAL AND FINISH:

BODY: BRASS, GOLD PLATED
 CONTACT: BRASS, GOLD PLATED
 INSULATOR: PTFE
 RING: BERYLLIUM COPPER, GOLD PLATED

908-21100		REVISIONS			
DRAWING NO.	REV	DESCRIPTION	DATE	ECO	APPR
THIRD ANGLE PROJ.	A	OFFICIAL ENG RELEASE TO MFG	9/12/96	41538	DL/BG
	B	ADD COPLANAR REF NOTE	2/21/01	43686	CPM
	C	SEE SHEET I	5/9/01	43757	CPM
	D	SEE SHEET I	6/15/11	48589	HR



RECOMMENDED PCB CUTOUT FOR TRACE AND GEOMETRY (RELATED TO APPLICATION) CONSULT AMPHENOL



SURFACE ARE COPLANAR WITHIN .005 MAX.

CUSTOMER OUTLINE DRAWING

ALL OTHER SHEETS ARE FOR INTERNAL USE ONLY

UNLESS OTHERWISE SPECIFIED, DIMENSIONS ARE IN INCHES AND TOLERANCES ARE: 2 PLACE DECIMAL $\pm .015$ (0,381 mm) 3 PLACE DECIMAL $\pm .005$ (0,127 mm) ANGLES $\pm 1^\circ$	MATERIAL	DRAWN	DATE	TITLE	Amphenol RF Danbury, CT, USA Tainan, Taiwan Shenzhen, China www.amphenolrf.com
	SEE NOTES	D. LUI	03-Sep-96		
NOTICE - These drawings, specifications, or other data (1) are, and remain the property of Amphenol Corp. (2) must be returned upon request; and (3) are confidential and not to be disclosed to any person other than those to whom they are given by Amphenol Corp. The furnishing of these drawings, specifications, or other data by Amphenol Corp., or to any other person to anyone for any purpose is not to be regarded by implication or otherwise in any manner licensing, granting rights or permitting such holder or any other person to manufacture, use or sell any product, process or design, patented or otherwise, that may in any way be related to or disclosed by said drawings, specifications, or other data.	REFERENCE	ENGINEER	DATE	MICROMATE (MALE) PCB EDGEMOUNT	SCALE: 12.0:1 SHEET 2 OF 2
	EAR 964749-0 615X-1390-100 GEN# ASSYMI_MMCX	G. TILTON	15-Mar-96		
			APPROVED	DATE	
		B. GLEISSNER	03-Sep-96		
		CAD FILE		CODE ID	DWG SIZE
		I:\MMCX\908-21100		74868	B
				DRAWING NO.	REV
				908-21100	D