

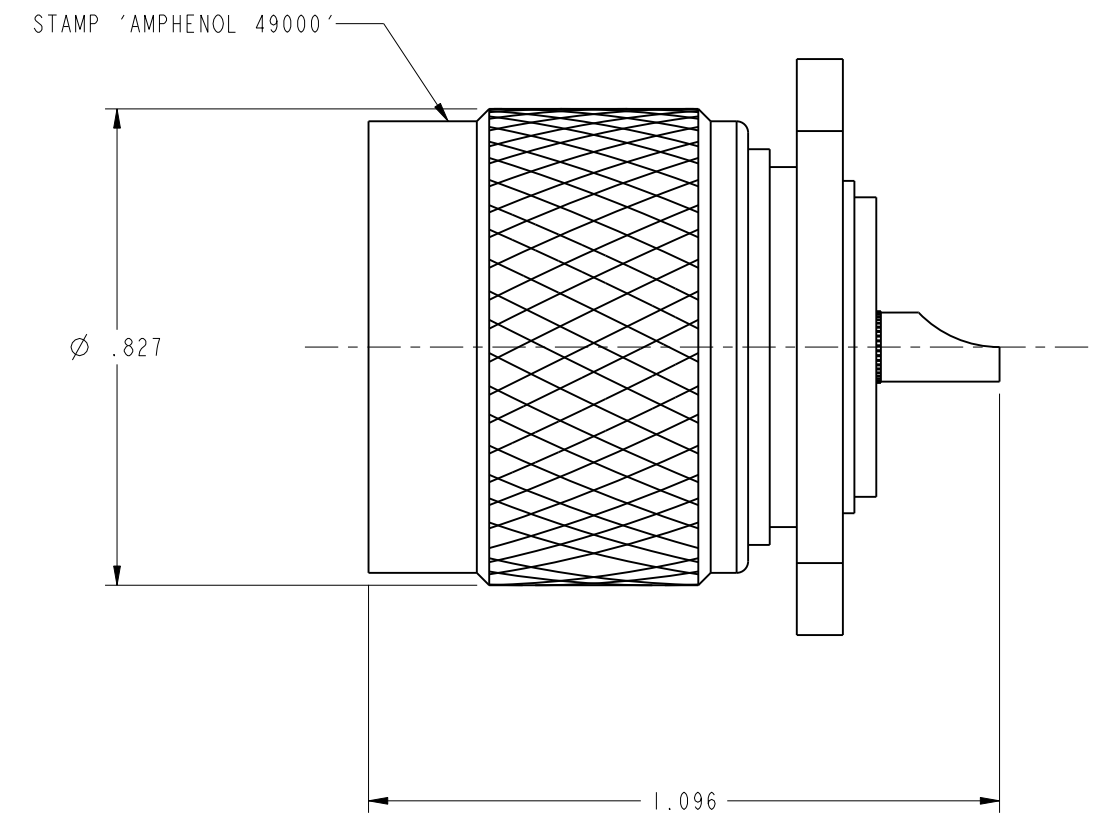
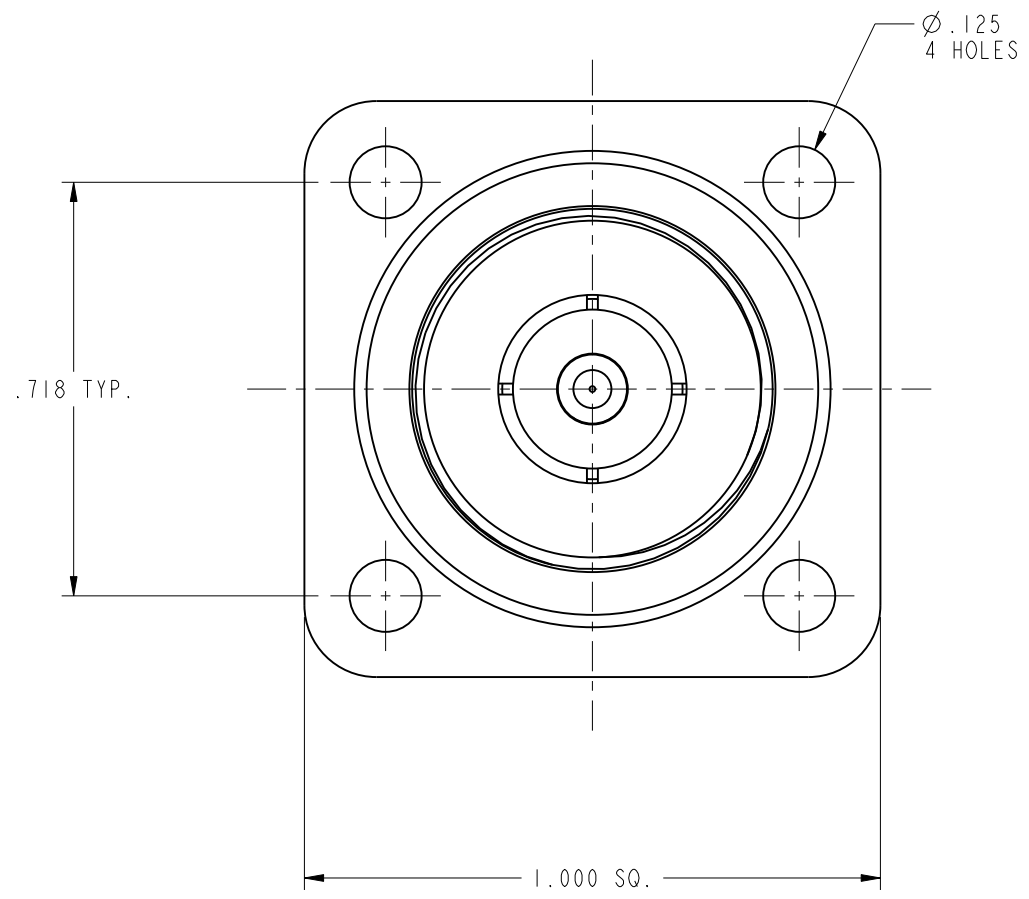
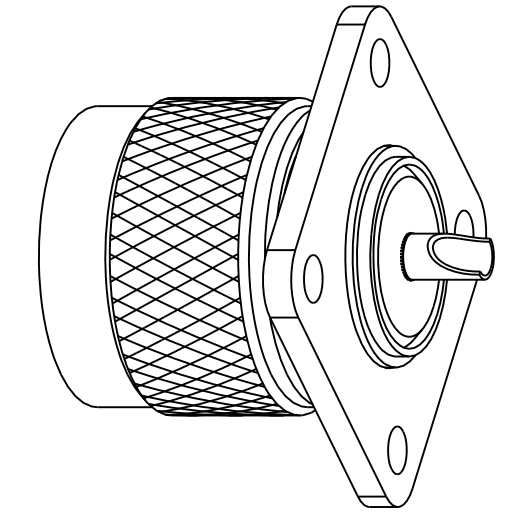
NOTES:

1. MATERIALS AND FINISHES:
 BODY/FLANGE S/A - BRASS, SILVER PLATING (.000200 MIN THICK)
 CONTACT & OUTER CONTACT - BRASS, SILVER PLATING (.000200 MIN THICK)
 INSULATORS (2) - CO-POLYMER OF STYRENE
 GASKET - SILICONE RUBBER
 COUPLING NUT - BRASS, NICKEL PLATING (.000100 MIN THICK)
 RETAINING RING - PHOSPHOR BRONZE
 RETAINING RING - BERYLLIUM COPPER
2. ELECTRICAL:
 A. IMPEDANCE: 50 OHM
 B. FREQUENCY RANGE: DC - 11 GHz
 C. VSWR(RETURN LOSS): 1.3 (17.69 dB), MAX.
 D. DIELECTRIC WITHSTANDING VOLTAGE: 2,500 VRMS, MIN.
3. MECHANICAL:
 A. TEMPERATURE RANGE: -55° C TO +85° C
4. PACKAGING:
 A. QUANTITY: SINGLE PACK
 B. MARKING: BAG TO BE MARKED
 "AMPHENOL, 49000, AND DATE CODE"

THIRD ANGLE PROJ.

REVISIONS

| REV | DESCRIPTION | DATE | ECO | APPR |
|-----|----------------|---------|-------|------|
| T | RELEASE TO MFG | ---- | ---- | |
| T | SEE SHEET 1 | 4/22/10 | 48046 | CPM |



CUSTOMER OUTLINE DRAWING
 ALL OTHER SHEETS ARE FOR INTERNAL USE ONLY

| | | | | | | |
|---|--|------------------------|-------------------|---|--|----------------------------------|
| UNLESS OTHERWISE SPECIFIED, DIMENSIONS ARE IN METRIC AND TOLERANCES ARE: <0.5mm ±0.05mm 0.5 - 6mm ±0.1mm 6 - 30mm ±0.2mm 30 - 120mm ±0.3mm ANGLES ±1° NOTICE - These drawings, specifications, or other data (1) are, and remain the property of Amphenol corp. (2) must be returned upon request; and (3) are confidential and not to be disclosed to any person other than those to whom they are given by Amphenol Corp. the finishing of these drawings, specifications, or other data by Amphenol Corp., or to any other person to anyone for any purpose is not to be regarded by implication or otherwise in any manner licensing, granting rights to permitting such holder or any other sperson to manufacture, use or sell any product, process or design, patented or otherwise, that may in any way be related to or disclosed by said drawings, specifications, or other data. | MATERIAL | DRAWN C. McGRATH | DATE 30-Mar-10 | TITLE TYPE N PANEL MOUNTED MALE RECEPTACLE | Amphenol RF Danbury CT USA, Tainan, Taiwan, Shenzhen, China www.amphenolrf.com | |
| | REFERENCE AND CONFIGURATION LEVEL: Prototype | ENGINEER K. CAPOZZI | DATE 30-Mar-10 | | | SCALE: 2.0:1.0 SHEET 2 OF 2 |
| | FINISH | APPROVED K. CAPOZZI | DATE 4/21/10 | DWG SIZE B | REV T | DRAWING NO. 49000 |
| | | Root Folder/N/49000 | | | | ITEM NO. 49000 PART NO. 49000 |