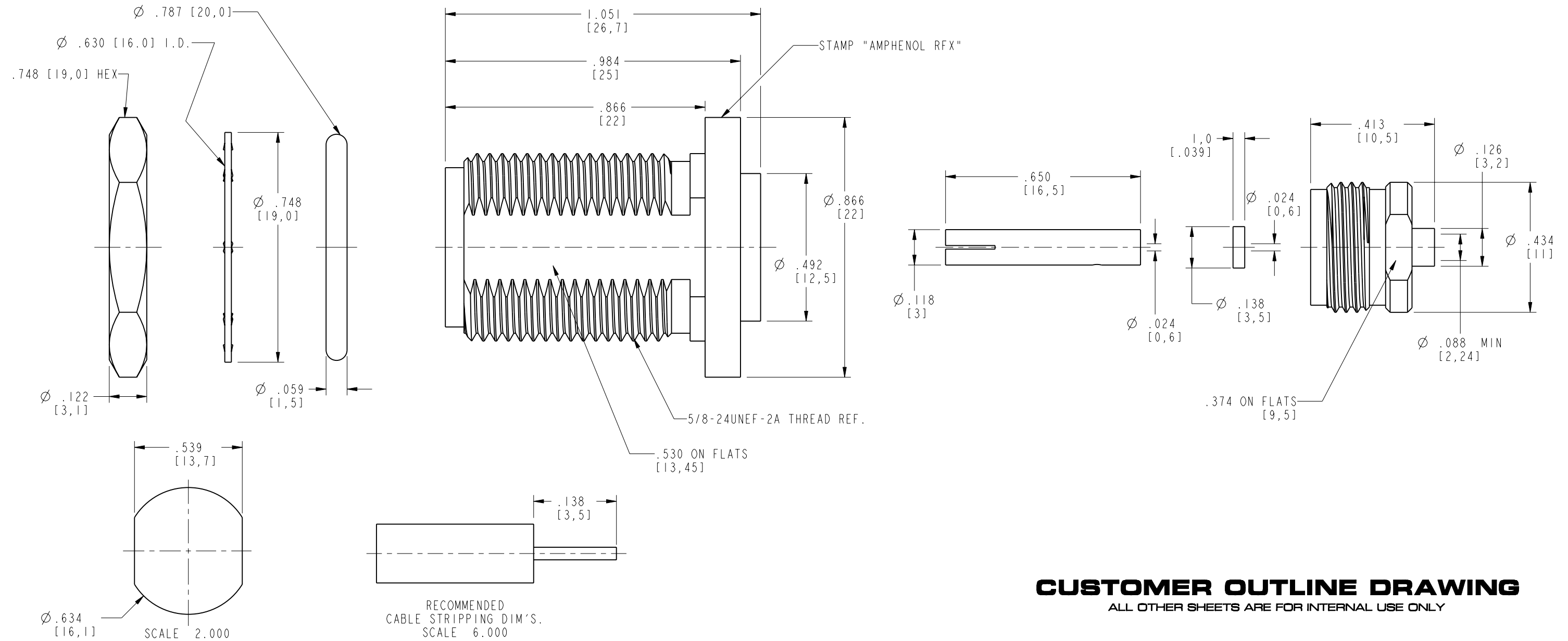


NOTES:

1. MATERIALS OF CONSTRUCTION:

- OUTER BODY, INNER BODY, & HEX NUT - BRASS (ASTM-B16 H02, C36000), NICKEL PLATING (.000100 MIN)
- CONTACT PIN - PHOSPHOR BRONZE (QQ-B-750), GOLD (.000003 MIN) OVER NICKEL PLATING
- INSULATORS (2) - PTFE
- GASKET - SILICONE RUBBER, COLOR RED
- LOCKWASHER - BRASS (QQ-B-613), NICKEL PLATING (.000100 MIN)
- SOLDER NUT - BRASS (ASTM-B16 H02, C36000), GOLD (.000003 MIN) OVER NICKEL PLATING

82-6096-RFX		REVISIONS			
DRAWING NO.	REV	DESCRIPTION	DATE	ECO	APPR
THIRD ANGLE PROJ.	A	RELEASE TO MFG.	11/11/99	43182	CPM
	B	SEE SHEET 1	11/8/05	45787	CPM



CUSTOMER OUTLINE DRAWING
ALL OTHER SHEETS ARE FOR INTERNAL USE ONLY

UNLESS OTHERWISE SPECIFIED, DIMENSIONS ARE IN INCHES AND TOLERANCES ARE: 2 PLACE DECIMAL ±.015 (0,381 mm) 3 PLACE DECIMAL ±.005 (0,127 mm) ANGLES ± 1°	MATERIAL	DRAWN C. McGRATH	DATE 25-Sep-99	TITLE 'N' BULKHEAD DIRECT SOLDER JACK FOR .085, .086 CABLE		Amphenol RF Danbury, CT, USA Tainan, Taiwan Shenzhen, China www.amphenolrf.com	
	REFERENCE EAR 967360-0 GEN# ASSYF41_N	ENGINEER T. AUBIN	DATE 25-Sep-99				
NOTICE - These drawings, specifications, or other data (1) are, and remain the property of Amphenol Corp. (2) must be returned upon request; and (3) are confidential and not to be disclosed to any person other than those to whom they are given by Amphenol Corp. The furnishing of these drawings, specifications, or other data by Amphenol Corp., or to any other person to anyone for any purpose is not to be regarded by implication or otherwise in any manner licensing, granting rights or permitting such holder or any other person to manufacture, use or sell any product, process or design, patented or otherwise, that may in any way be related to or disclosed by said drawings, specifications, or other data.		APPROVED T. AUBIN	DATE 11/11/99	CODE ID 74868	DWG SIZE B	DRAWING NO. 82-6096-RFX	REV B
							SCALE: 3.0:1 SHEET 2 OF 2