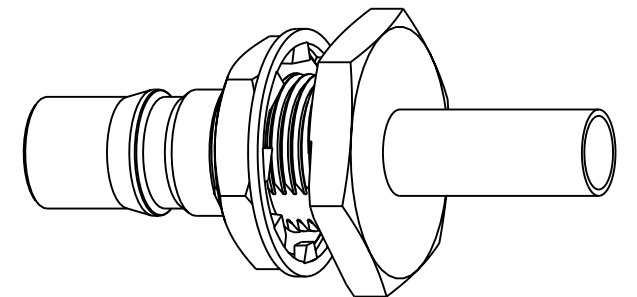


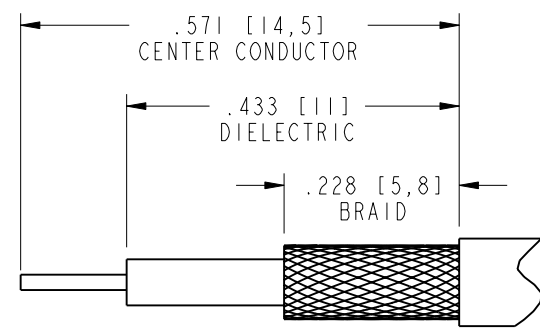
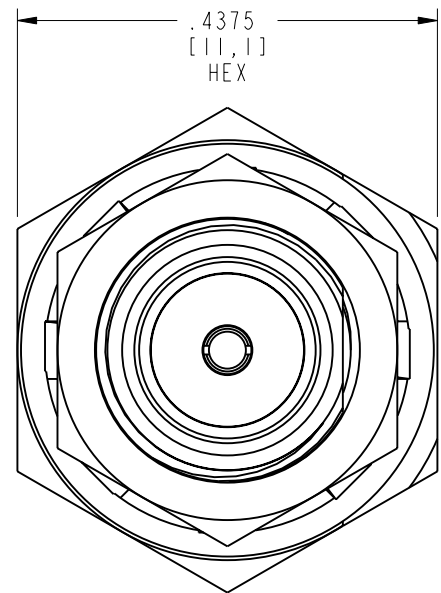
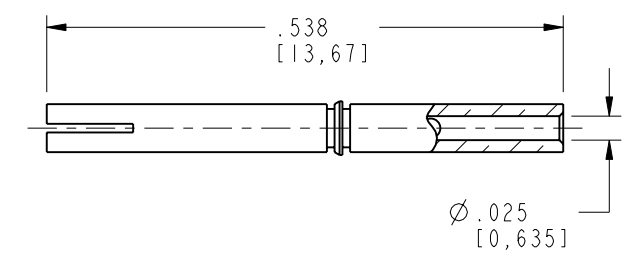
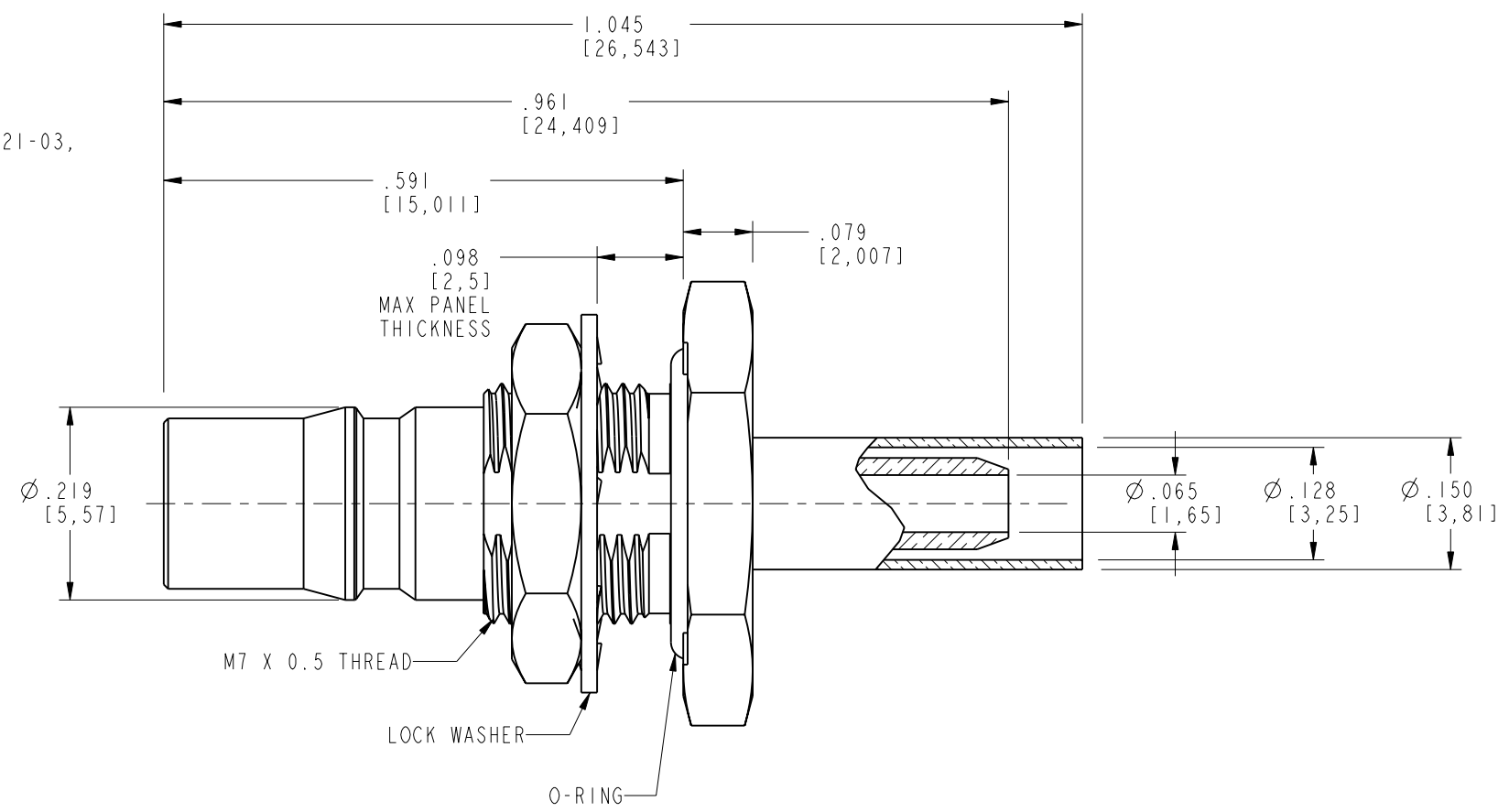
NOTES:

1. MATERIALS AND FINISHES:
 BODY - BRASS, WHITE BRONZE PLATING (.000080 MIN THICK)
 CONTACT - BERYLLIUM COPPER, GOLD PLATING (.000030 MIN THICK)
 INSULATOR - PTFE
 HEX NUT - BRASS, WHITE BRONZE PLATING (.000080 MIN THICK)
 LOCK WASHER - PHOSPHOR BRONZE, WHITE BRONZE PLATING (.000080 MIN THICK)
 O-RING: SILICONE RUBBER
2. ELECTRICAL:
 A. IMPEDANCE: 50 OHM
 B. FREQUENCY RANGE: DC - 11 GHz
 C. VSWR(RETURN LOSS): 1.22 (20 dB) MAX 0-6 GHz
 1.29 (18 dB) MAX 6-11 GHz
 D. DIELECTRIC WITHSTANDING VOLTAGE: 1000 VRMS, MIN.
3. MECHANICAL:
 A. DURABILITY: 100 CYCLES MIN.
 B. TEMPERATURE RANGE: -40° C TO +85° C
4. PACKAGING:
 A. QUANTITY: SINGLE PACK
 B. MARKING: BAG TO BE MARKED
 "AMPHENOL, 930-124J-51S, AND DATE CODE"
5. CABLE ASSEMBLY:
 A. TRIM CABLE AS SHOWN
 B. CRIMP USING TOOL 227-994, DIE SET 227-1221-03,
 CAVITY "A" (.128 HEX)

930-124J-51S		REVISIONS			
DRAWING NO.	REV	DESCRIPTION	DATE	ECO	APPR
THIRD ANGLE PROJ.	A	RELEASE TO MFG.	9/10/04	45139	



SCALE 3.000



RECOMMENDED CABLE TRIM DIMENSIONS
SCALE 4.000

CUSTOMER OUTLINE DRAWING
ALL OTHER SHEETS ARE FOR INTERNAL USE ONLY

UNLESS OTHERWISE SPECIFIED, DIMENSIONS ARE IN INCHES AND TOLERANCES ARE: 2 PLACE DECIMAL 3 PLACE DECIMAL ±.015 (0,381 mm) ±.005 (0,127 mm)	MATERIAL	DRAWN M. HOYACK	DATE 05-Feb-04	TITLE QMA JACK BULKHEAD TO RG-316		Amphenol RF Danbury, CT, USA Tainan, Taiwan Shenzhen, China www.amphenolrf.com		
	REFERENCE EAR# 1181 GEN# ASSYF7_QMA 615X-2016-100	ENGINEER M. HOYACK	DATE 05-Feb-04					
NOTICE - These drawings, specifications, or other data (1) are, and remain the property of Amphenol Corp. (2) must be returned upon request; and (3) are confidential and not to be disclosed to any person other than those to whom they are given by Amphenol Corp. The furnishing of these drawings, specifications, or other data by Amphenol Corp., or to any other person to anyone for any purpose is not to be regarded by implication or otherwise in any manner licensing, granting rights or permitting such holder or any other person to manufacture, use or sell any product, process or design, patented or otherwise, that may in any way be related to or disclosed by said drawings, specifications, or other data.		APPROVED T. AUBIN	DATE 9/8/04	CODE ID 74868	DWG SIZE B	DRAWING NO. 930-124J-51S	SCALE: 5.0:1	SHEET 2 OF 2
		CAD FILE I:\QMA\930-124J-51S						