

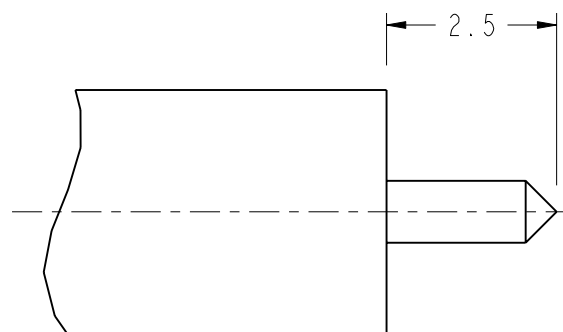
NOTES:

1. MATERIAL AND FINISH (PLATING THICKNESS IN MICRO-INCHES):
 BODY - BRASS, GOLD PLATING
 CONTACT - BRASS, GOLD PLATING
 INSULATOR - PTFE, NATURAL
2. ELECTRICAL:
 A. IMPEDANCE: 50 OHM
 B. FREQUENCY RANGE: DC - 18 GHz
 C. DIELECTRIC WITHSTANDING VOLTAGE: 1500 VRMS. MIN.
3. MECHANICAL:
 A. DURABILITY: 500 CYCLES MIN.
 B. TEMPERATURE RANGE: -65°C TO +165°C
4. CONTACT PIN TO SOLDER

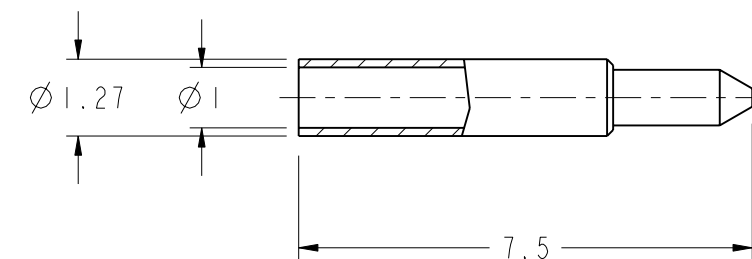
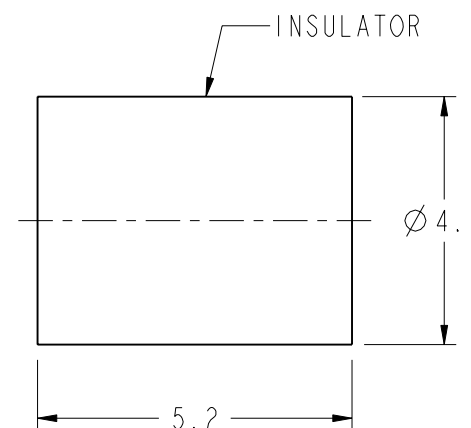
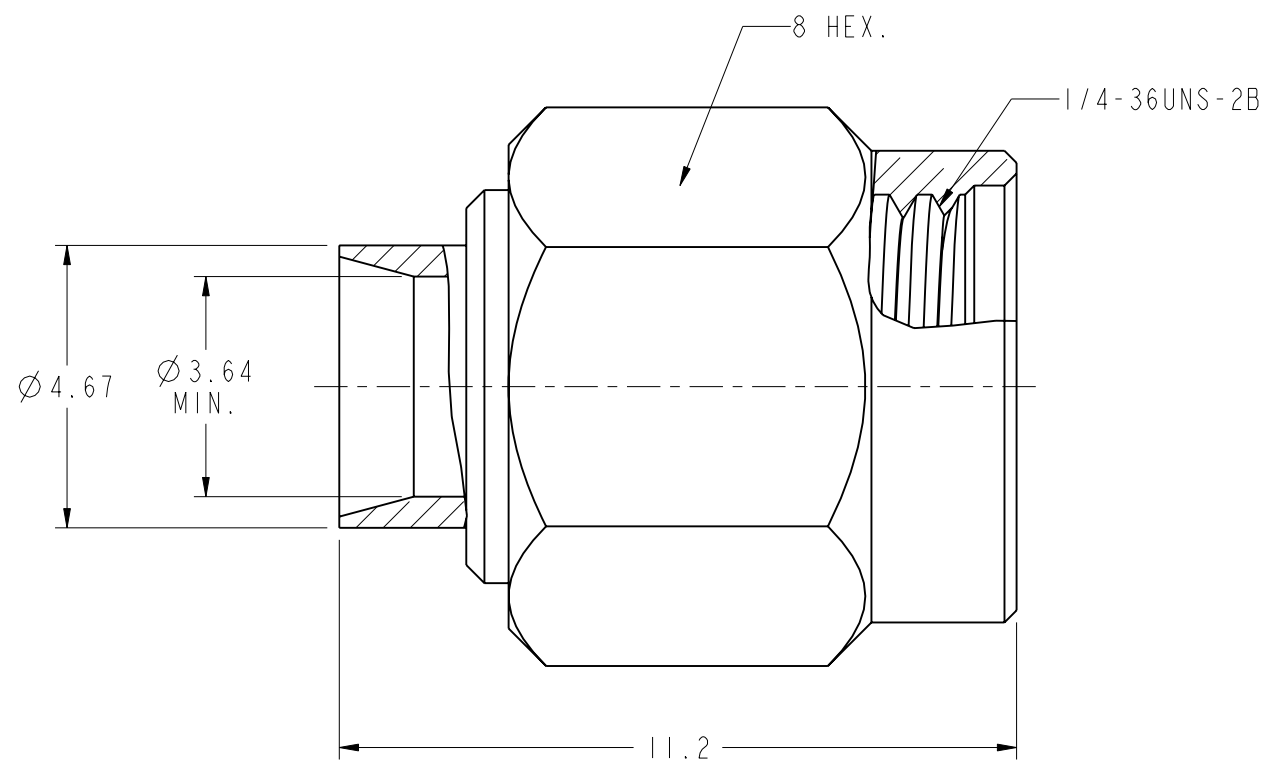
THIRD ANGLE PROJ.

REVISIONS

REV	DESCRIPTION	DATE	ECO	APPR
A	RELEASE TO MFG.	2/2/01	43661	
B	NO. 1 WAS CHANGED \RD-DM89042001C	20-Apr-00		
BI	RR00AAD03A WAS SMA5000-4-B	08-27-08'		SX
C	THE BODY WAS CHANGE \RD-DM12011601R3	16-Jan-12		SH
D	SYNCH THE DRAWING WITH DANBURY	1-Mar-12	48967	SH



RECOMMENDED
CABLE STRIPPING DIM'S



CUSTOMER OUTLINE DRAWING

ALL OTHER SHEETS ARE FOR INTERNAL USE ONLY

UNLESS OTHERWISE SPECIFIED, DIMENSIONS ARE IN METRIC AND TOLERANCES ARE: < 0.5mm ± 0.05mm 0.5 - 6mm ± 0.1mm 6 - 30mm ± 0.2mm 30 - 120mm ± 0.3mm ANGLES ± 1°	MATERIAL	DRAWN R. MAO	DATE 12-Jan-12	TITLE SMA SOLDER PLUG FOR .141 DIA SEMI-RIGID CABLE	Amphenol RF www.amphenolrf.com	
	REFERENCE AND CONFIGURATION LEVEL:	ENGINEER S. XIE	DATE 27-Aug-08			DRAWING NO. SMA1181A1-3GT50G-.141-50
NOTICE - These drawings, specifications, or other data (1) are, and remain the property of Amphenol corp. (2) must be returned upon request; and (3) are confidential and not to be disclosed to any person other than those to whom they are given by Amphenol Corp. the furnishing of these drawings, specifications, or other data by Amphenol Corp., or to any other person to anyone for any purpose is not to be regarded by implication or otherwise in any manner licensing, granting rights to permitting such holder or any other person to manufacture, use or sell any product, process or design, patented or otherwise, that may in any way be related to or disclosed by said drawings, specifications, or other data.	FINISH	APPROVED S. HSIEH	DATE 12-Jan-12	SCALE: 8.0:1.0 SHEET 2 OF 2	ITEM NO. 111181AAA42GA5F	
		CAD FILE I:\SMA\SMA1181A1-NT50G-141-50			DWG SIZE B	REV D