

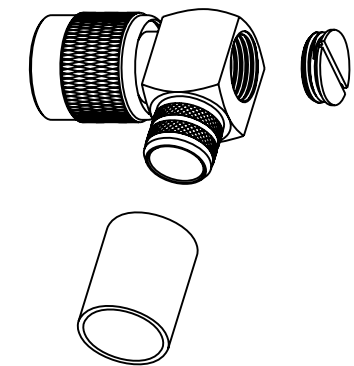
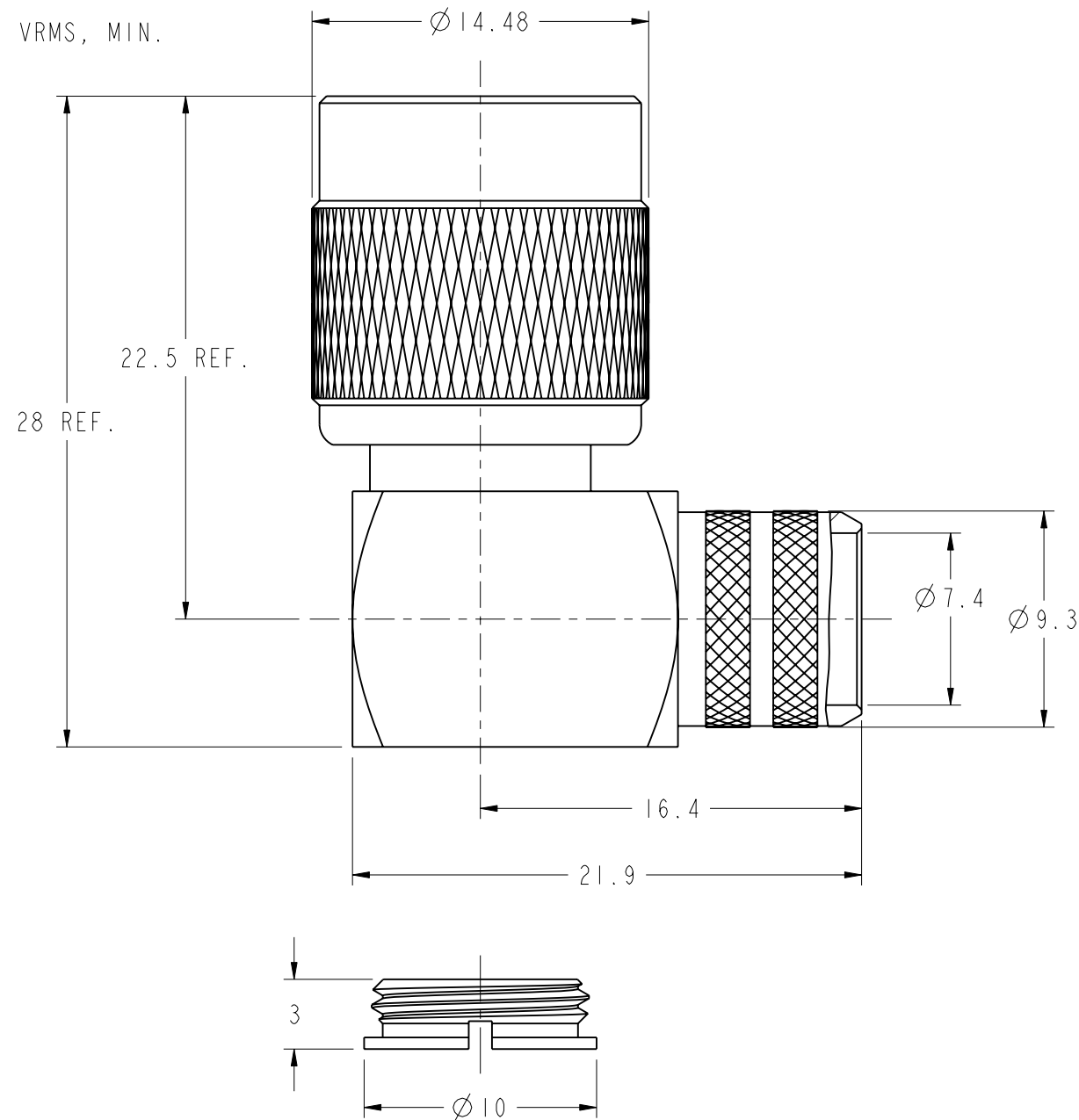
NOTES:

1. MATERIALS AND FINISHES  
 BODY WITH HOUSING - BRASS, NICKEL PLATING  
 CONTACT - BRASS, GOLD PLATING  
 INSULATOR - PTFE. NATURAL  
 GASKET - SILICONE RUBBER, COLOR RED
2. ELECTRICAL:  
 A. IMPEDANCE: 50 OHM  
 B. DIELECTRIC WITHSTANDING VOLTAGE: 1500 VRMS, MIN.
3. MECHANICAL:  
 A. DURABILITY: 500 CYCLES MIN.  
 B. TEMPERATURE RANGE: - 45°C to +85°C
4. CRIMPED FERRULE  
 HEX CRIMP SIZE .429"

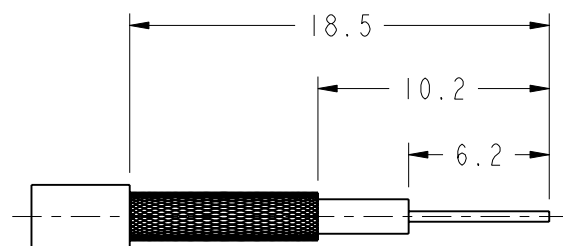
THIRD ANGLE PROJ.

REVISIONS

REV	DESCRIPTION	DATE	ECO	APPR
A	RELEASE TO MFG.	06-20-01'	42548	IT
B	UPDATE FORMAT AND ADD RF'S PN, 31-6002-RFX INSULATOR WAS DELRIN	31-Aug-12	49247	SL



SCALE 1.000



RECOMMENDED CABLE STRIPPING DIM'S

**CUSTOMER OUTLINE DRAWING**  
 ALL OTHER SHEETS ARE FOR INTERNAL USE ONLY

UNLESS OTHERWISE SPECIFIED, DIMENSIONS ARE IN METRIC AND TOLERANCES ARE: <0.5mm ±0.05mm    0.5 - 6mm ±0.1mm    6 - 30mm ±0.2mm    30 - 120mm ±0.3mm    ANGLES ±1°	MATERIAL	DRAWN S.LI	DATE 31-Aug-12	TITLE TNC R/A CRIMP PLUG (FOR BELDEN 9913, 9914, LMR400 CABLE)	<b>Amphenol RF</b> Danbury CT USA, Tainan, Taiwan, Shenzhen, China www.amphenolrf.com
	REFERENCE EAR# 967005-0	ENGINEER S.LI	DATE 31-Aug-12		
NOTICE - These drawings, specifications, or other data (1) are, and remain the property of Amphenol corp. (2) must be returned upon request; and (3) are confidential and not to be disclosed to any person other than those to whom they are given by Amphenol Corp. the furnishing of these drawings, specifications, or other data by Amphenol Corp., or to any other person to anyone for any purpose is not to be regarded by implication or otherwise in any manner licensing, granting rights to permitting such holder or any other person to manufacture, use or sell any product, process or design, patented or otherwise, that may in any way be related to or disclosed by said drawings, specifications, or other data.	FINISH	APPROVED S.HSIEH	DATE 5-Sep-12	SCALE: 3.5:1.0	ITEM NO. 021112AAB93NA5F
		CAD FILE I:\TNC\T1112A4-NT3G-9913-50			SHEET 2 OF 2
				DWG SIZE B	REV B