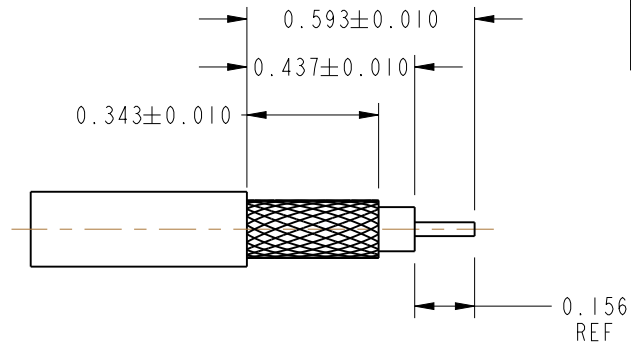


NOTES:

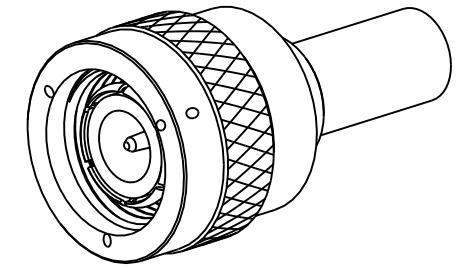
1. MATERIALS AND FINISHES:
 BODY - BRASS, SILVER PLATING
 CONTACT - BERYLLIUM COPPER, GOLD PLATING
 INSULATOR - PTFE
2. MECHANICAL:
 A. DURABILITY: 500 CYCLES MIN.
 B. TEMPERATURE RANGE: -65° C TO + 165° C
3. PACKAGING:
 A. QUANTITY: SINGLE PACK
 B. MARKING: BAG TO BE MARKED
 "AMPHENOL RF, 31-4452 AND DATE CODE"

4. SHOWS CABLE ENTRY DIMENSIONS.

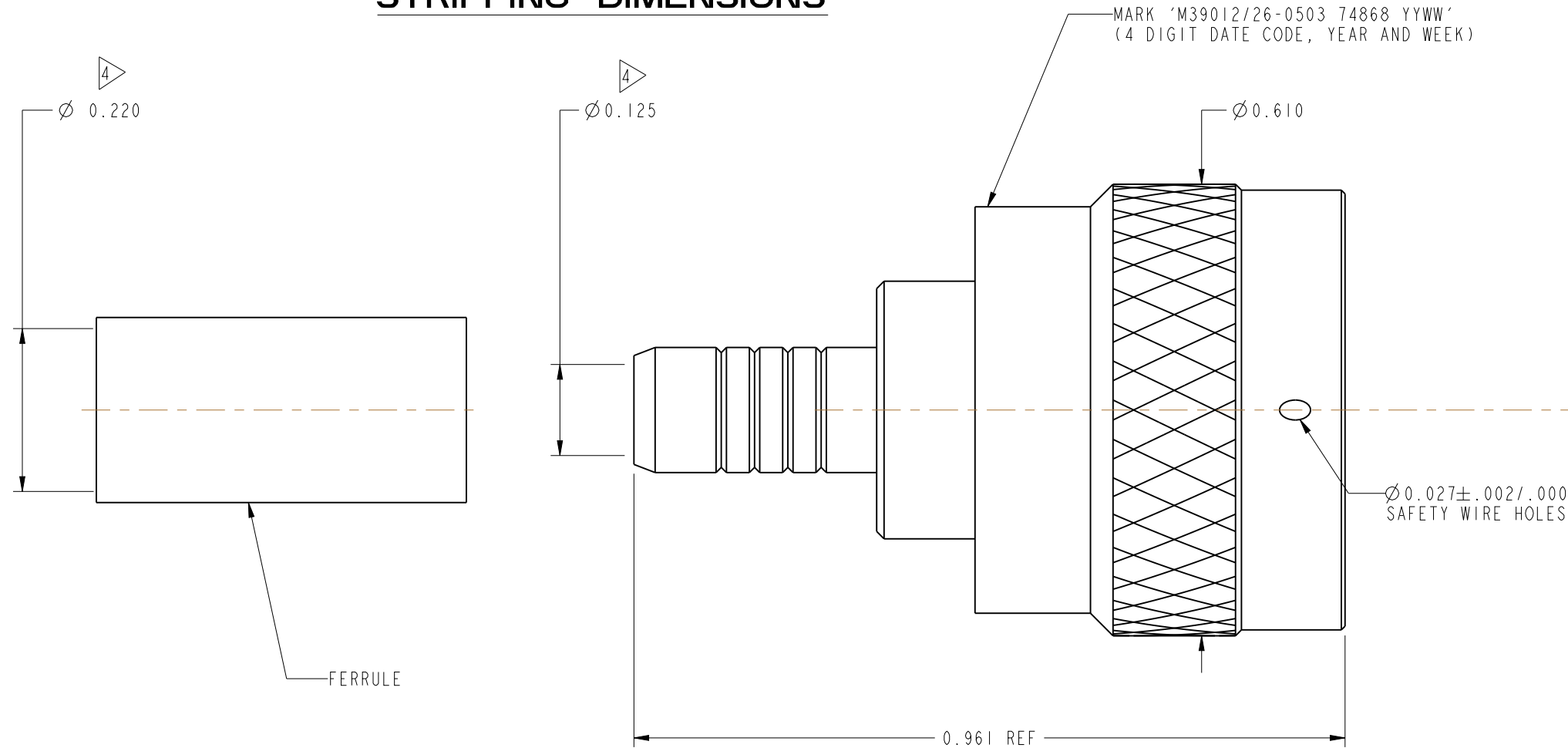
31-4452		REVISIONS			
DRAWING NO.	REV	DESCRIPTION	DATE	ECO	APPR
THIRD ANGLE PROJ.	--	RELEASE TO MFG.	-----	-----	-----
	U	REDRAWN IN PRO-E, ADD COD	5/23/11	47687	KR
	V	REDWAN, ADD COD	1/14/13	48616	CM
	W	DIA 0.125 WAS 0.0125	8-AUG-13	49665	KR



RECOMMENDED CABLE STRIPPING DIMENSIONS



SCALE 2.000



MIL-C-39012 INSPECTION

CUSTOMER OUTLINE DRAWING

ALL OTHER SHEETS ARE FOR INTERNAL USE ONLY

UNLESS OTHERWISE SPECIFIED, DIMENSIONS ARE IN INCHES AND TOLERANCES ARE: 2 PLACE DECIMAL ±.015 (0,381 mm) 3 PLACE DECIMAL ±.005 (0,127 mm) ANGLES ± 1°	MATERIAL	DRAWN KARTHIK R	DATE 09-Jul-09	TITLE TNC PLUG MIL- CRIMP FOR RG142B/U & 400/U CABLE	Amphenol Amphenol Corporation Communication and Network Products Division Danbury, CT U.S.A. 06810			
	REFERENCE	ENGINEER H. HUTTER	DATE 7/9/75					
NOTICE - These drawings, specifications, or other data (1) are, and remain the property of Amphenol Corp. (2) must be returned upon request; and (3) are confidential and not to be disclosed to any person other than those to whom they are given by Amphenol Corp. The furnishing of these drawings, specifications, or other data by Amphenol Corp., or to any other person to anyone for any purpose is not to be regarded by implication or otherwise in any manner licensing, granting rights or permitting such holder or any other person to manufacture, use or sell any product, process or design, patented or otherwise, that may in any way be related to or disclosed by said drawings, specifications, or other data.		APPROVED H.G.H	DATE 7/15/75	CODE ID 74868	DWG SIZE B	DRAWING NO. 31-4452	SCALE: 5.0:1	SHEET 2 OF 2
		CAD FILE						