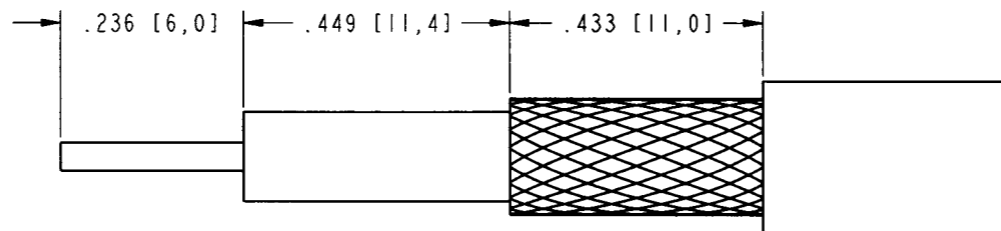


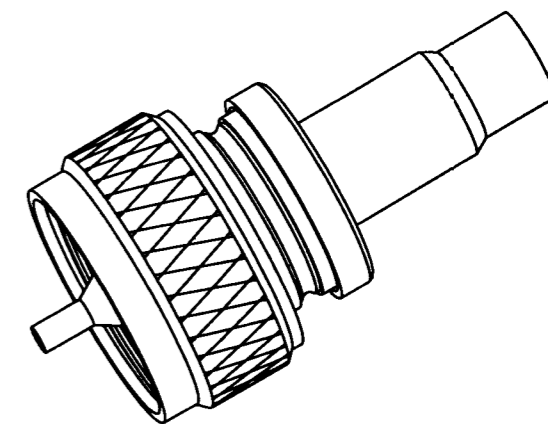
NOTES:

- MATERIALS OF CONSTRUCTION:  
 FERRULE, SHELL & BODY = BRASS, NICKEL PLATED  
 CONTACT PIN = BRASS, SILVER PLATED  
 INSULATOR = PHENOLIC, YELLOW PER PANTONE 110C
- CRIMPED FERRULE  
 HEX CRIMP SIZE .255"  
 CRIMPED CONTACT PIN  
 HEX CRIMP SIZE .068"

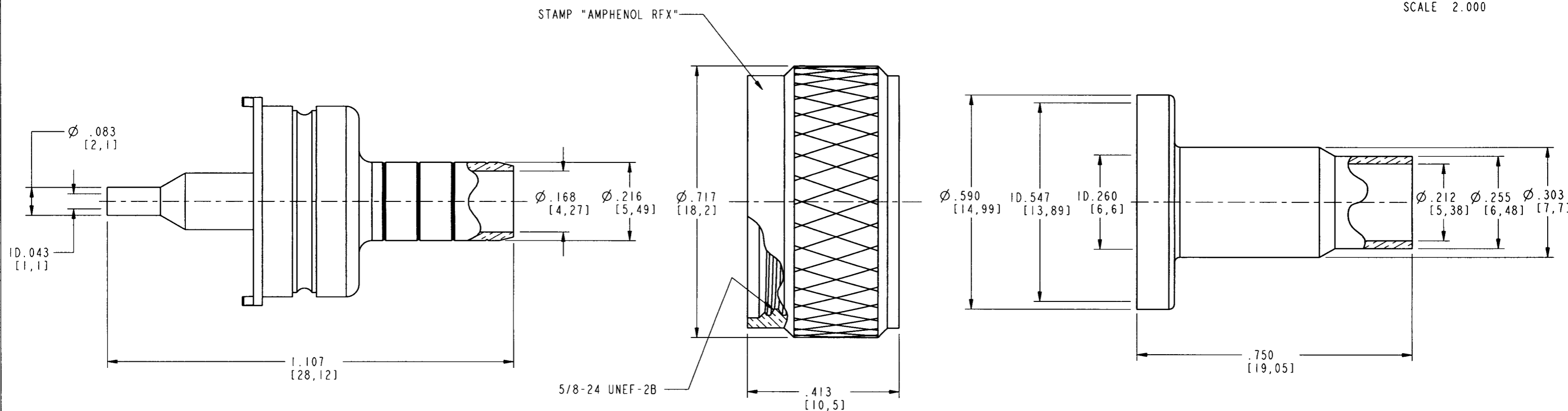
83-58DCP-2RFX		REVISIONS			
DRAWING NO.	REV	DESCRIPTION	DATE	ECO	APPR
THIRD ANGLE PROJ.	A	RELEASE TO MFG.	4/8/00	43405	VN/



SCALE 4.000  
 RECOMMENDED CABLE  
 STRIPPING DIMENSIONS



SCALE 2.000



CUSTOMER OUTLINE DRAWING  
 FOR REFERENCE ONLY

UNLESS OTHERWISE SPECIFIED, DIMENSIONS ARE IN INCHES AND TOLERANCES ARE: 2 PLACE DECIMAL 3 PLACE DECIMAL ANGLES ±.015 (0,381 mm) ±.005 (0,127 mm) ± 1°	MATERIAL	DRAWN V. NGUYEN	DATE 05-Jun-00	TITLE <b>UHF CRIMP PLUG          FOR RG58 TYPE</b>	<b>Amphenol</b> Amphenol Corporation Communication and Network Products Division Danbury, CT U.S.A. 06810
	NOTICE - These drawings, specifications, or other data (1) are, and remain the property of Amphenol Corp. (2) must be returned upon request; and (3) are confidential and not to be disclosed to any person other than those to whom they are given by Amphenol Corp. The furnishing of these drawings, specifications, or other data by Amphenol Corp., or to any other person to anyone for any purpose is not to be regarded by implication or otherwise in any manner licensing, granting rights or permitting such holder or any other person to manufacture, use or sell any product, process or design, patented or otherwise, that may in any way be related to or disclosed by said drawings, specifications, or other data.	REFERENCE EAR 967575 0 GEN# ASSYM3_UHF	ENGINEER V. NGUYEN		
		APPROVED <i>[Signature]</i>	DATE 6/7/00	CODE ID 74868	DWG SIZE B
		CAD FILE I:\UHF\ASSYM3_UHF		DRAWING NO. 83-58DCP-2RFX	REV A