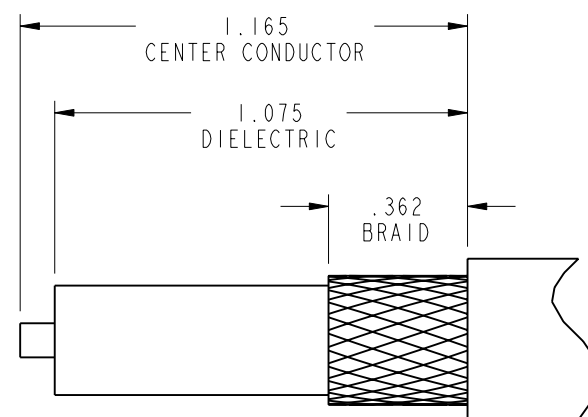
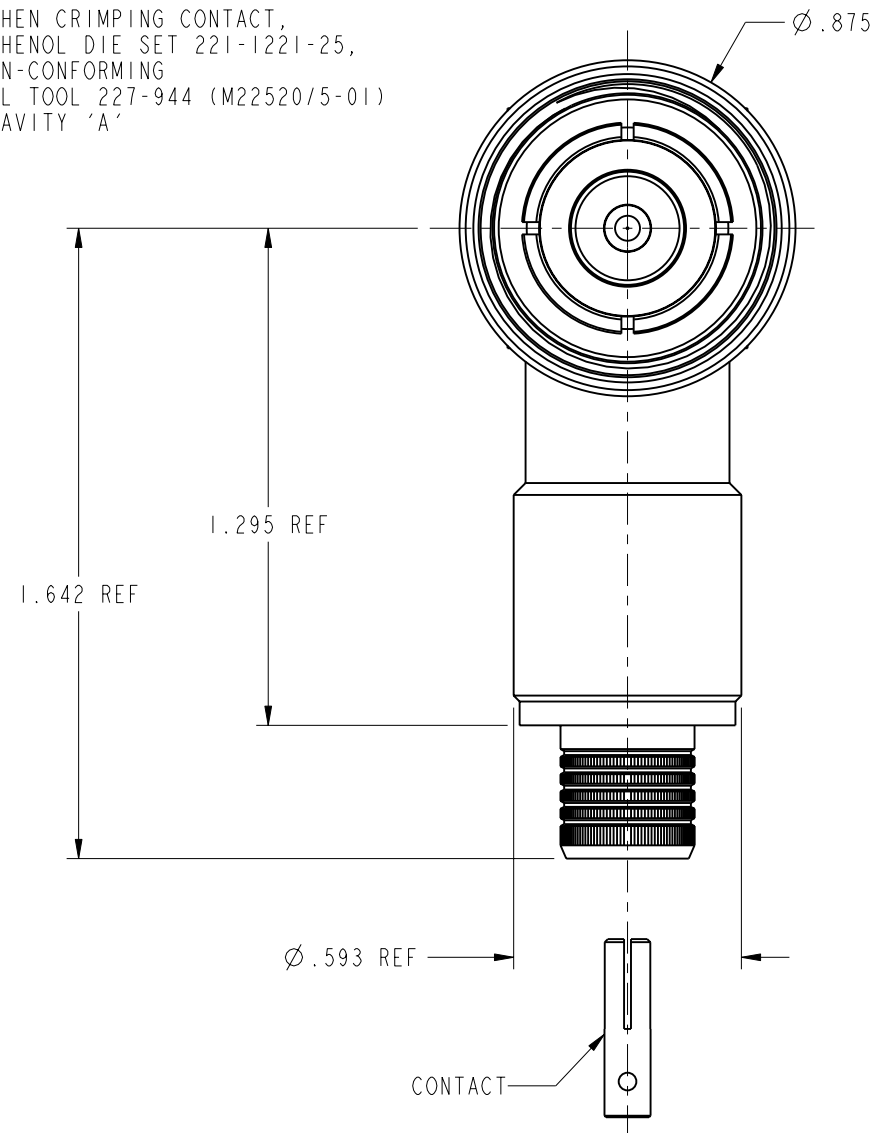


NOTES:

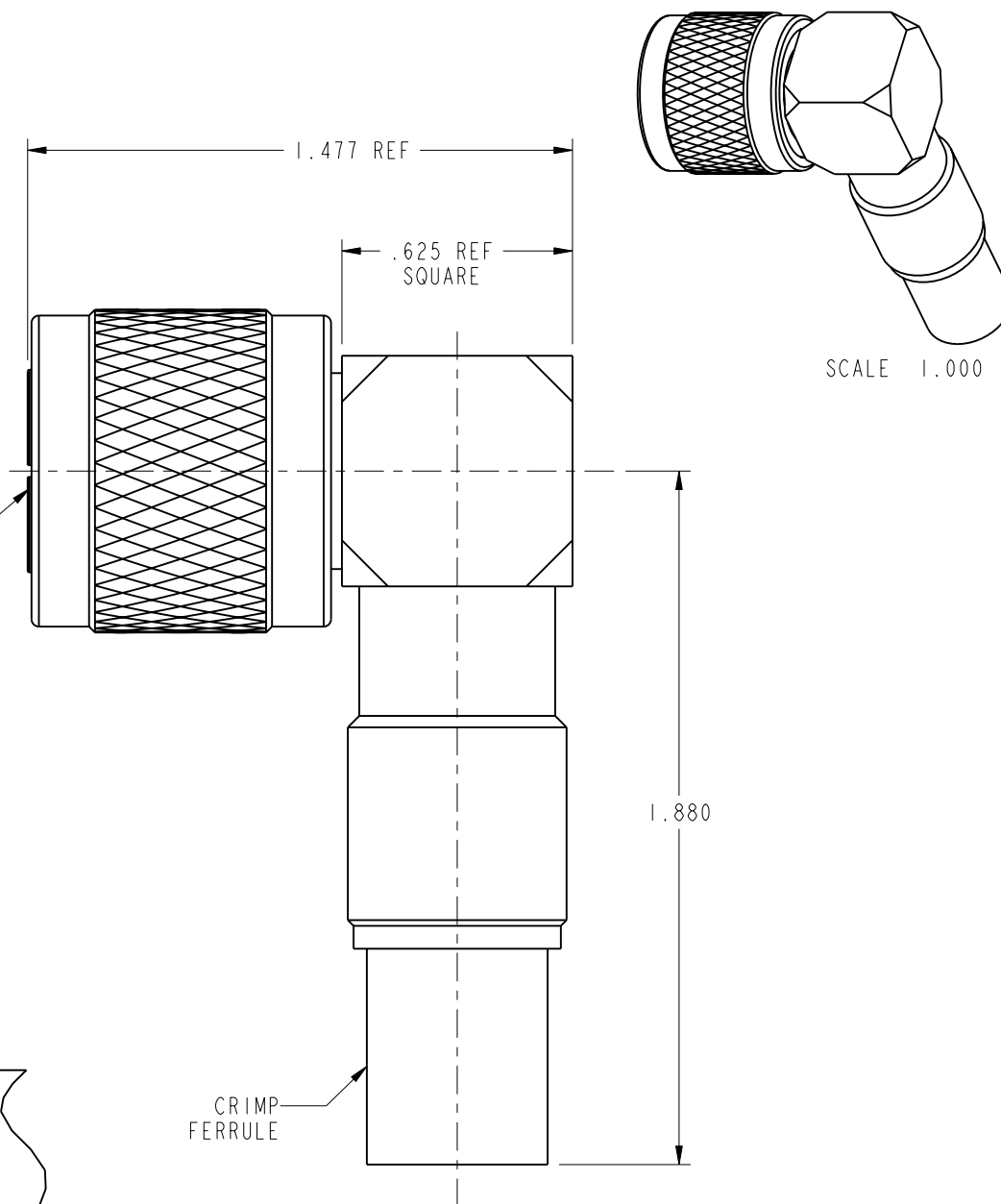
1. MATERIALS AND FINISHES:
 - BODY - BRASS, NICKEL PLATING (.000100 THICK)
 - MALE CONTACT - BRASS, SILVER PLATING (.000200 THICK)
 - FEMALE CONTACT - BERYLLIUM COPPER, SILVER PLATING (.000200 THICK)
 - INSULATOR - PTFE
2. ELECTRICAL:
 - A. IMPEDANCE: 50 OHM
 - B. FREQUENCY RANGE: DC - 4 GHz
 - D. DIELECTRIC WITHSTANDING VOLTAGE: 5000 VRMS, MIN.
3. MECHANICAL:
 - B. TEMPERATURE RANGE: -65° C TO +165° C
4. PACKAGING:
 - A. QUANTITY: SINGLE PACK
 - B. MARKING: BAG TO BE MARKED "AMPHENOL, 82-6316, AND DATE CODE"
5. ASSEMBY PROCEDURE
 - A. TRIM CABLE AS SHOWN
 - B. SOLDER CONTACT TO CABLE. WHEN CRIMPING CONTACT, USE CRIMP FERRULE WITH AMPHENOL DIE SET 221-1221-25, CLOSURE 'B' (.100 HEX) NON-CONFORMING
 - C. CRIMP FERRULE WITH AMPHENOL TOOL 227-944 (M22520/5-01) AND DIE SET 227-1221-25, CAVITY 'A' (M22520/5-25, CLOSURE 'A')

82-6316		REVISIONS			
DRAWING NO.	REV	DESCRIPTION	DATE	ECO	APPR
THIRD ANGLE PROJ.	A	RELEASE TO MFG	11/1/02	44248	CPM
	B	REMOVED WIRE HOLES FROM COUPLING NUT	11/7/02	44275	MAH
	C	NOTE 5B REMOVED REF FOR SOFT SOLDER	11/21/05	45813	



RECOMMENDED TRIM DIMENSIONS

SCALE 2.000



SCALE 1.000

CUSTOMER OUTLINE DRAWING
ALL OTHER SHEETS ARE FOR INTERNAL USE ONLY

UNLESS OTHERWISE SPECIFIED, DIMENSIONS ARE IN INCHES AND TOLERANCES ARE: 2 PLACE DECIMAL 3 PLACE DECIMAL ANGLES ±.015 (0,381 mm) ±.005 (0,127 mm) ± 1°	MATERIAL	DRAWN	DATE	TITLE TYPE "HN" ANGLE PLUG CRIMP TERMINATION RG-214 CABLE		Amphenol RF Danbury, CT, USA Tainan, Taiwan Shenzhen, China www.amphenolrf.com	
		C. McGRATH	10/17/02				
NOTICE - These drawings, specifications, or other data (1) are, and remain the property of Amphenol Corp. (2) must be returned upon request; and (3) are confidential and not to be disclosed to any person other than those to whom they are given by Amphenol Corp. The furnishing of these drawings, specifications, or other data by Amphenol Corp., or to any other person to anyone for any purpose is not to be regarded by implication or otherwise in any manner licensing, granting rights or permitting such holder or any other person to manufacture, use or sell any product, process or design, patented or otherwise, that may in any way be related to or disclosed by said drawings, specifications, or other data.	REFERENCE	ENGINEER	DATE	CODE ID DWG SIZE DRAWING NO. 74868 B 82-6316		SCALE: 2.0:1 SHEET 2 OF 3	
		MIKE HOYACK	10/17/02				
		EAR# 662 GEN# ASSYMI_HN 611X-4085-100	APPROVED	DATE	DRAWING NO. 82-6316		REV C
		O. BARTHELMES	10/18/02				
		CAD FILE					
		I:\HN\82-6316					