

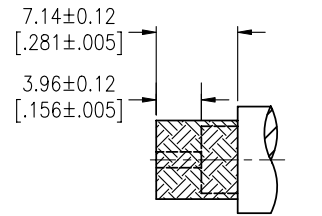
NOTES:

- MATERIALS AND FINISHES (PLATING THICKNESS IN MICRO-INCHES):
 BODY - BRASS, NICKEL PLATING
 CONTACT - BERYLLIUM COPPER, SILVER PLATING
 INSULATOR - PTFE
 O-RING - SILICONE RUBBER
 CLAMP - BRASS, NICKEL PLATING
 GASKET - SILICONE RUBBER
 WASHER - BRASS, NICKEL PLATING
- ELECTRICAL:
 A. IMPEDANCE: 50 OHM
 B. FREQUENCY RANGE: DC 0-11 GHz
 C. DIELECTRIC WITHSTANDING VOLTAGE: 2500 VRMS, MIN.
- MECHANICAL:
 A. DURABILITY: 500 CYCLES MIN.
 B. TEMPERATURE RANGE: - 65°C to +165°C
- MAX. PANEL THICKNESS=7.06mm
- CUSTOMER NOTE: WHEN SOLDER CONTACT TO CABLE, ROSIN CORE 60% TIN, 40% LEAD SOFT SOLDER PER QQ-S-571 IS RECOMMENDED
- ASTERISK(*) INDICATES CABLE ENTRY DIM'S
- AMPHENOL RF ASSEMBLY INSTRUCTION "C8"

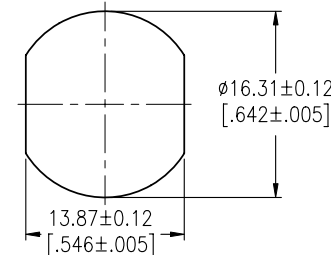
THIRD ANGLE PROJ.

REVISIONS

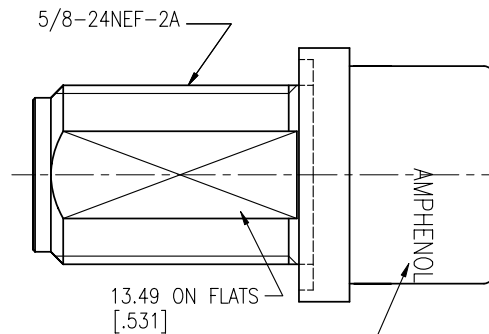
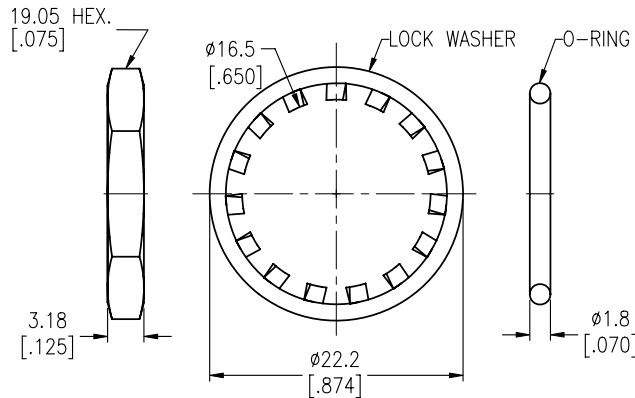
REV	DESCRIPTION	DATE	ECO	APPR
Y	ADD SHEET 2; LOCK WASHER WAS CHANGED; STAMP "AMPHENOL" WAS "74868"	23-Oct-12	48832	DH



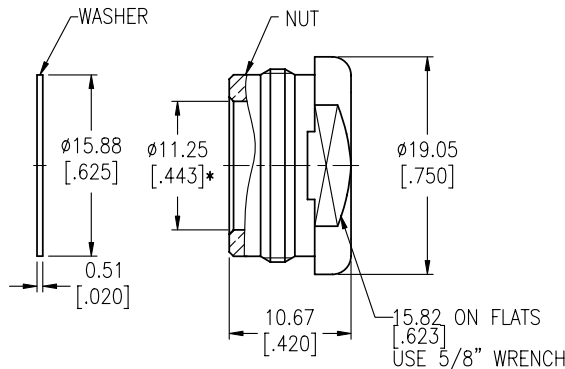
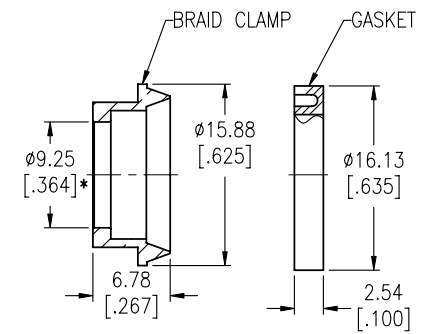
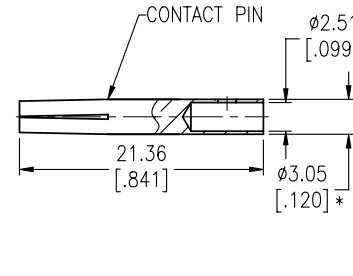
RECOMMENDED CABLE STRIPPING DIM'S



RECOMMENDED MOUNTING HOLE



STAMP "AMPHENOL UG-160A/U"



CUSTOMER OUTLINE DRAWING
 ALL OTHER SHEETS ARE FOR INTERNAL USE ONLY

UNLESS OTHERWISE SPECIFIED, DIMENSIONS ARE IN METRIC AND TOLERANCES ARE:
 0.5 - 6mm ±0.1mm 6 - 30mm ±0.2mm 30 - 120mm ± 0.3mm ANGLES ±1°

NOTICE - These drawings, specifications, or other data (1) are, and remain the property of Amphenol Corp. (2) must be returned upon request; and (3) are confidential and not to be disclosed to any person other than those to whom they are given by Amphenol Corp. The furnishing of these drawings, specifications, or other data by Amphenol Corp., or to any other person for any purpose is not to be regarded by implication or otherwise in any manner licensing, granting rights or permitting such holder or any other person to manufacture, use or sell any product, process or design, patented or otherwise, that may in any way be related to or disclosed by said drawings, specifications, or other data.

MATERIAL	DRAWN	DATE	TITLE			Amphenol RF		
	R.MAO	22-Aug-12	'N' SINGLE HOLE PANEL JACK FOR RG-8/U (UG-160 A/U)			Danbury CT USA, Tainan Taiwan, Shenzhen China www.amphenolrf.com		
REFERENCE	ENGINEER	DATE	SCALE: 1.5/1			DRAWING NO. 82-67		
	HARRY	22-Mar-03	SHEET 1 OF 2			ITEM NO. 82-67		
FINISH	APPROVED	DATE	DWG SIZE	CODE ID	REV	PART NO. 82-67		
	S.HSIEH	22-Aug-12	B	74868	Y			
	CAD FILE							
	F:\DWG\CNPD\82\67-YSZ							