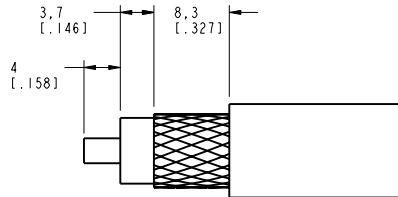


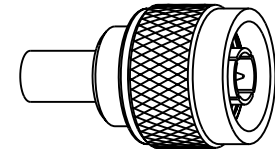
NOTES:

- MATERIALS OF CONSTRUCTION:
 SHELL, CONTACT BODY, FERRULE, BODY & BARREL = BRASS, SILVER PLATED
 CONTACT PIN = BRASS, GOLD PLATED
 INSULATOR = TEFLON, MIL-P-19468
 RETAINER RING = STAINLESS STEEL, NATURAL
 GASKET = SILICONE RUBBER, COLOR RED
- CRIMPED FERRULE = HEX CRIMP SIZE .255
 CRIMPED CONTACT PIN = HEX CRIMP SIZE .100

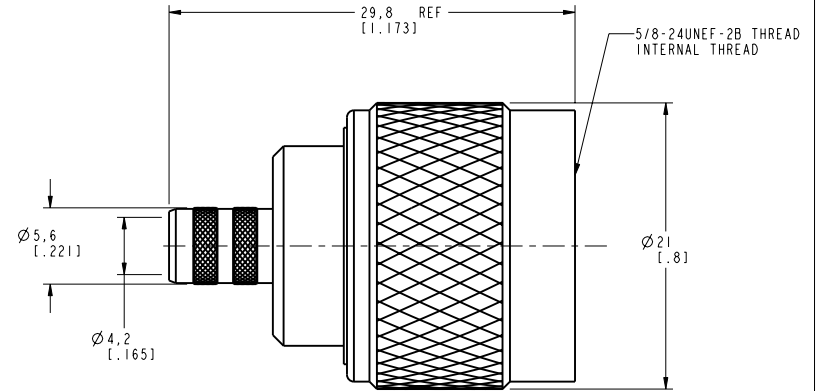
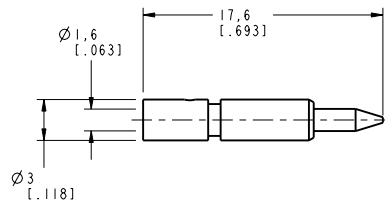
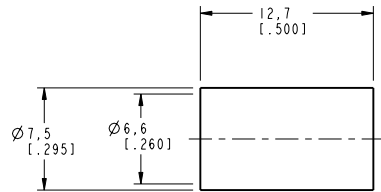
82-6237		REVISIONS			
DRAWING NO.	REV	DESCRIPTION	DATE	ECO	APPR
THIRD ANGLE PROJ.	A	RELEASE TO MFG.	3/21/01	43724	CPM



RECOMMENDED CABLE STRIPPING DIMENSIONS
 SCALE 2.000



SCALE 1.500



CUSTOMER OUTLINE DRAWING
 ALL OTHER SHEETS ARE FOR INTERNAL USE ONLY

UNLESS OTHERWISE SPECIFIED, DIMENSIONS ARE IN INCHES AND TOLERANCES ARE: 0.5 - 6mm ±0.2mm 6 - 30mm ±0.4mm 30 - 120mm ±0.6mm	MATERIAL	DRAWN C. McGRATH	DATE 3/15/01	TITLE 'N' CRIMP PLUG (SILVER PLATED)	Amphenol Amphenol Corporation Communication and Network Products Division Danbury, CT U.S.A. 06810			
	NOTICE - These drawings, specifications, or other data (1) are, and remain the property of Amphenol Corp. (2) must be returned upon request; and (3) are confidential and not to be disclosed to any person other than those to whom they are given by Amphenol Corp. The furnishing of these drawings, specifications, or other data by Amphenol Corp., or to any other person to anyone for any purpose is not to be regarded by implication or otherwise in any manner licensing, granting rights or permitting such holder or any other person to manufacture, use or sell any product, process or design, patented or otherwise, that may in any way be related to or disclosed by said drawings, specifications, or other data.	REFERENCE GEN# 82-6152.ASSY	ENGINEER O. BARTHELMES	DATE 3/15/01		APPROVED O. BARTHELMES	DATE 3/21/01	
CAD FILE I:\N182-6237			CODE ID 74868	DWG SIZE B	DRAWING NO. 82-6237	SCALE: 3.0:1	SHEET 2 OF 2	REV A