

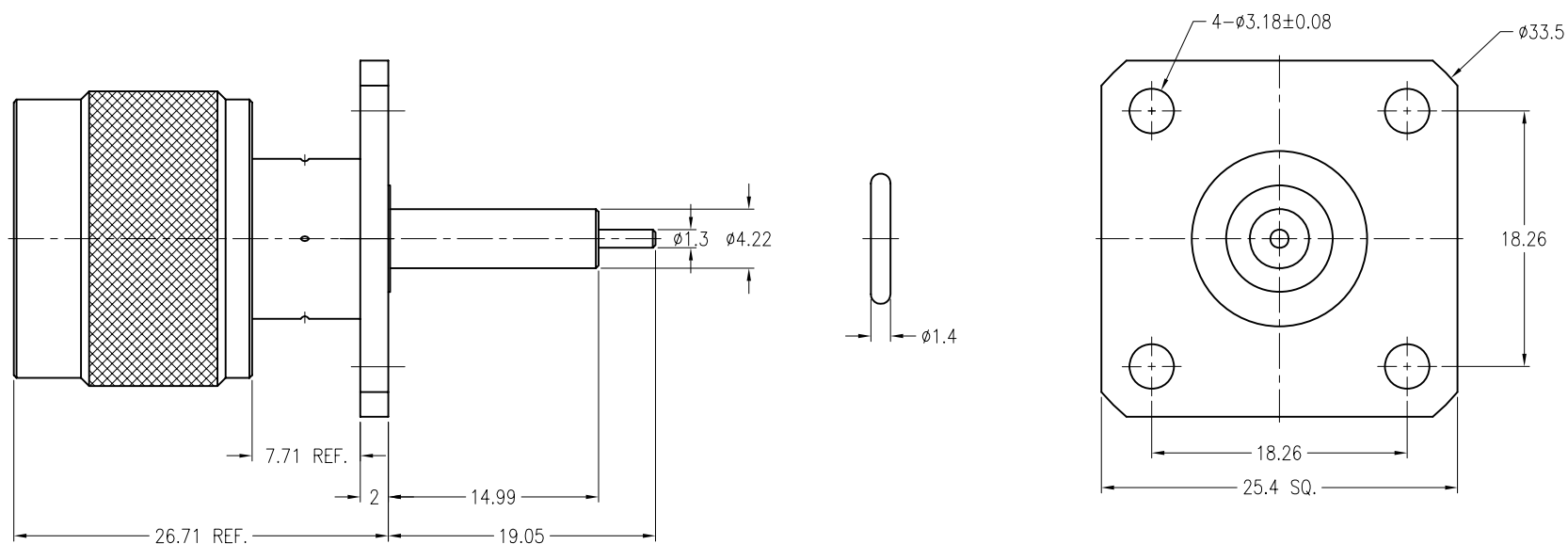
NOTES:

1. MATERIALS AND FINISHES
 BODY - BRASS, ALBALOY PLATING
 CONTACT - BRASS, GOLD PLATING
 INSULATOR - PTFE
2. ELECTRICAL:
 A. IMPEDANCE: 50 OHM
 B. FREQUENCY RANGE: DC 0-11 GHz
 C. DIELECTRIC WITHSTANDING VOLTAGE: 2500 VRMS, MIN.
3. MECHANICAL:
 A. DURABILITY: 500 CYCLES MIN.
 B. TEMPERATURE RANGE: -65°C to +165°C
4. PACKAGING:
 A. PACK ONE CONNECTOR IN A BAG AND MARK ON THE BAG: "6600-1313
 82-6304"
 B. PACK TWENTY-FIVE WRAPPED CONNECTORS IN A MASTER BAG
 AND MARK ON THE MASTER BAG: "LORCH P/N: 6600-1313
 P/N: 82-6304"

THIRD ANGLE PROJ.

REVISIONS

REV	DESCRIPTION	DATE	ECO	APPR
A1	SEE SHEET 1	09-Jul-07	--	--
B	SEE SHEET 1	03-Aug-04	--	--
C	SEE SHEET 1	14-Aug-08	--	SH
D	THE PACKAGE MARKING WAS CHANGED/RD-DM09030601S1	18-Mar-09	--	SH
E	UPDATE THE DRAWING	08-Jul-09	47563	SH



CUSTOMER OUTLINE DRAWING

ALL OTHER SHEETS ARE FOR INTERNAL USE ONLY

UNLESS OTHERWISE SPECIFIED, DIMENSIONS ARE IN METRIC AND TOLERANCES ARE: 0.5 - 6mm ±0.1mm 6 - 30mm ±0.2mm 30 - 120mm ± 0.3mm ANGLES ±1'	MATERIAL	DRAWN K.LI	DATE 07-Jul-09	TITLE N PANEL RECEPT. PLUG		Amphenol RF Danbury CT USA, Tainan Taiwan, Shenzhen China www.amphenolrf.com	
	REFERENCE	ENGINEER C.WANG	DATE 14-Aug-08	SCALE: 2/1		DRAWING NO. N1551E1-004-AT50GA-50	
APPROVED S.HSIEH		DATE 07-Jul-09	DWG SIZE B	SHEET 2 OF 2	CODE ID 74868	ITEM NO. 031551AAQ02AL5F	
FINISH	F:\DWG\N\1551E1\004\50\AT50GA-ESZ			REV E		PART NO. 82-6304	

NOTICE - These drawings, specifications, or other data (1) are, and remain the property of Amphenol Corp. (2) must be returned upon request; and (3) are confidential and not to be disclosed to any person other than those to whom they are given by Amphenol Corp. The furnishing of these drawings, specifications, or other data by Amphenol Corp., or to any other person to anyone for any purpose is not to be regarded by implication or otherwise in any manner licensing, granting rights or permitting such holder or any other person to manufacture, use or sell any product, process or design, patented or otherwise, that may in any way be related to or disclosed by said drawings, specifications, or other data.