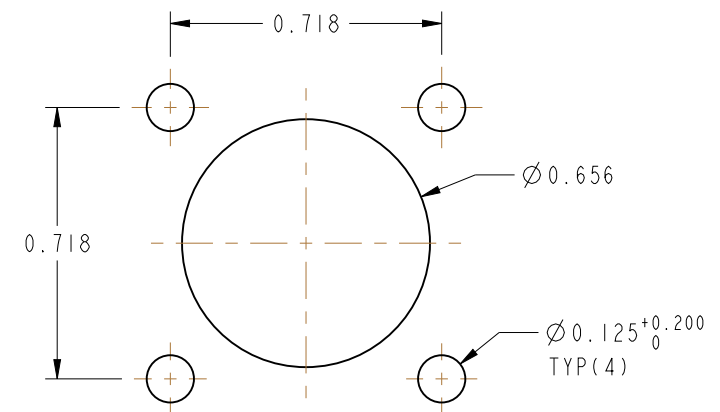


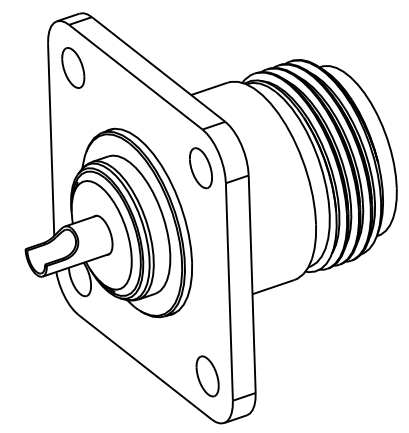
- NOTES:
- MATERIALS AND FINISHES:
 BODY - BRASS, SILVER PLATING
 CONTACT - BeCu, GOLD PLATING
 INSULATOR - PTFE, NATURAL
 - ELECTRICAL:
 A. IMPEDANCE: 50 OHM
 - MECHANICAL:
 A. DURABILITY: 500 CYCLES MIN.
 B. TEMPERATURE RANGE: -65° C TO +165° C
 - PACKAGING:
 A. QUANTITY: SINGLE PACK
 B. MARKING: BAG TO BE MARKED
 "AMPHENOL RF, 82-368, AND DATE CODE"

THIRD ANGLE PROJ.

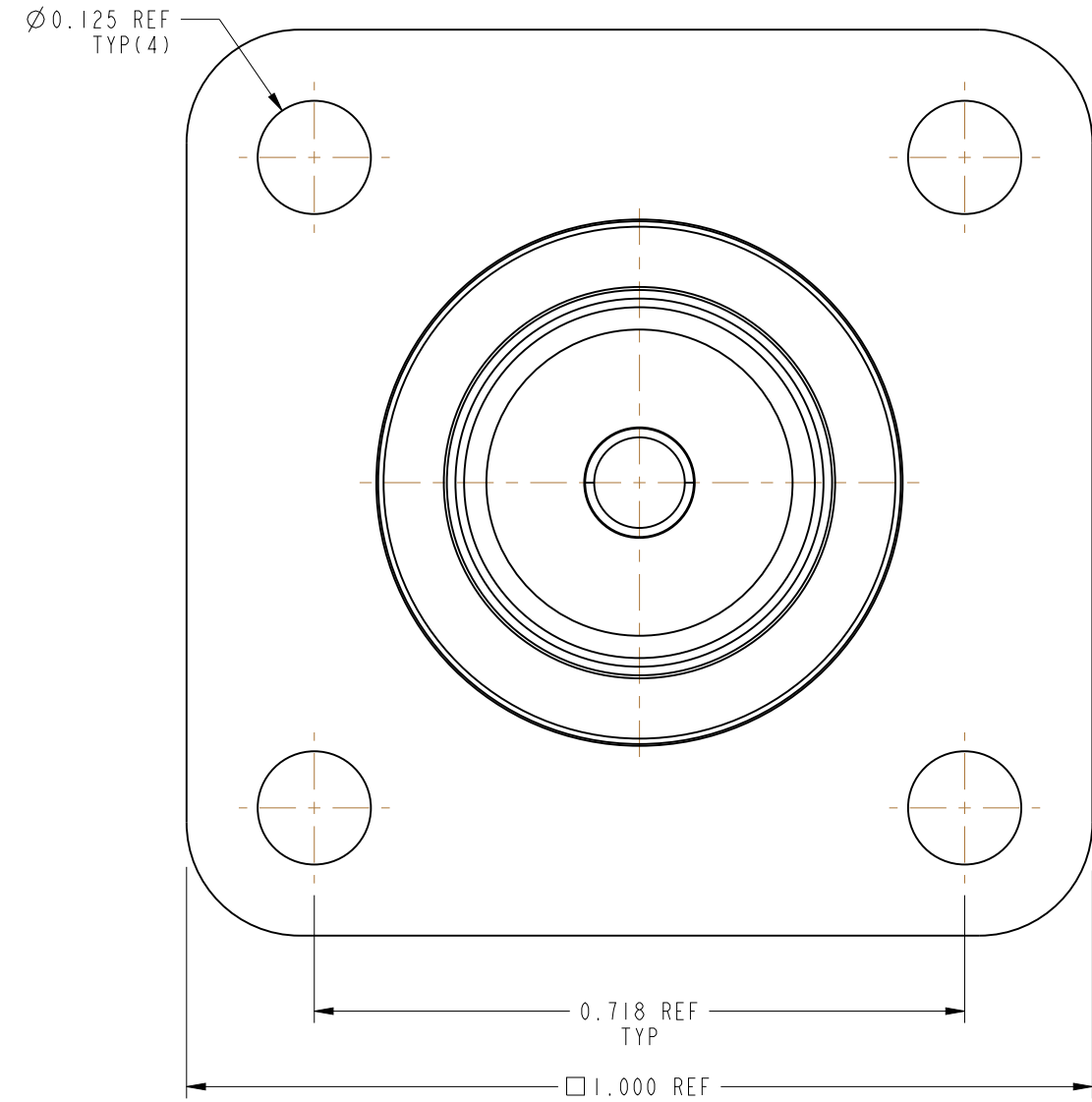
REV		DESCRIPTION	DATE	ECO	APPR
--	--	RELEASE TO MFG.	--	--	--
V	V	REDRAWN IN PRO-E & COD ADDED	11/18/13	49751	KR



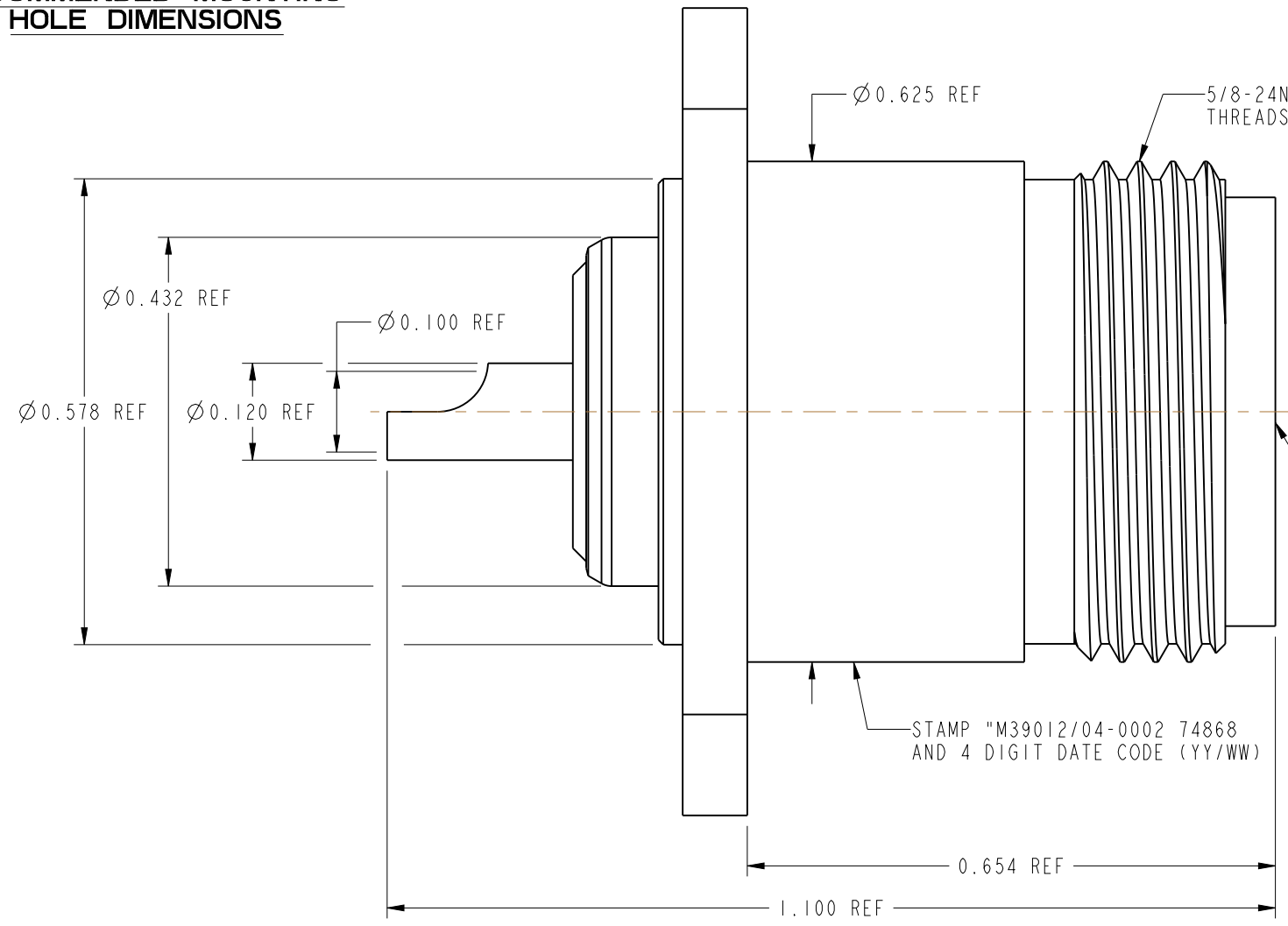
MIL-C-39012 INSPECTION



SCALE 1.750



RECOMMENDED MOUNTING HOLE DIMENSIONS



INTERFACE PER MIL STD-348 SERIES:TYPE N JACK

CUSTOMER OUTLINE DRAWING

ALL OTHER SHEETS ARE FOR INTERNAL USE ONLY

UNLESS OTHERWISE SPECIFIED, DIMENSIONS ARE IN INCHES AND TOLERANCES ARE: 2 PLACE DECIMAL 3 PLACE DECIMAL ANGLES ± 0.015 (0,381 mm) ± 0.005 (0,127 mm) $\pm 1^\circ$	MATERIAL	DRAWN	DATE	TITLE		Amphenol RF www.amphenolrf.com
	SEE NOTES	KARTHIK R	03-Oct-13	N PANEL JACK RECEPTACLE		
NOTICE - These drawings, specifications, or other data (1) are, and remain the property of Amphenol corp. (2) must be returned upon request; and (3) are confidential and not to be disclosed to any person other than those to whom they are given by Amphenol Corp. the furnishing of these drawings, specifications, or other data by Amphenol Corp., or to any other person to anyone for any purpose is not to be regarded by implication or otherwise in any manner licensing, granting rights to permitting such holder or any other person to manufacture, use or sell any product, process or design, patented or otherwise, that may in any way be related to or disclosed by said drawings, specifications, or other data.	REFERENCE	ENGINEER	DATE	SCALE: 4.0:1.0 SHEET 2 OF 2		DRAWING NO.82-368
	EPA 802151-51 MS39012/04-0002 MOTOROLA 09D84301T01	O. BARTHELME	11/18/13			ITEM NO.82-368
	CONFIGURATION LEVEL: In Work	APPROVED	DATE			PART NO.82-368
FINISH	CAD FILE			DWG SIZE B	REV V	