

NOTES:

1. MATERIALS AND FINISHES:  
 BODY, SLEEVE, -BRASS, GOLD PLATING  
 RETAINING RING - BRASS, NICKEL PLATING  
 CONTACT - BERYLLIUM COPPER, GOLD PLATING  
 INSULATOR - PTFE

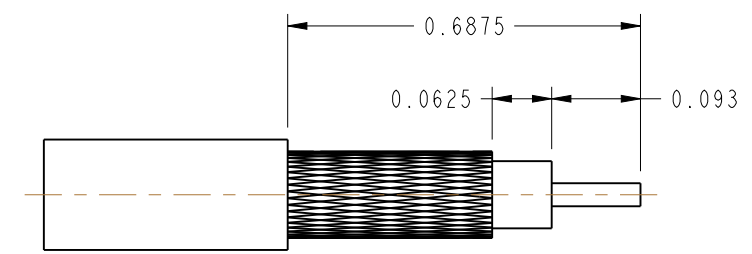
2. SHOWS CABLE ENTRY DIMENSIONS

3. PACKAGING:  
 A. QUANTITY: SINGLE PACK  
 B. MARKING: BAG TO BE MARKED  
 "AMPHENOLRF, 27-1, AND DATE CODE"

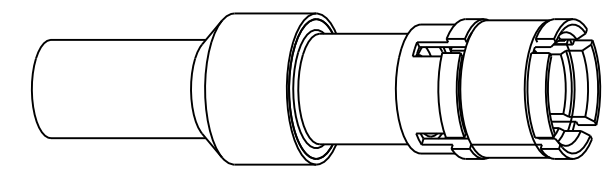
THIRD ANGLE PROJ.

REVISIONS

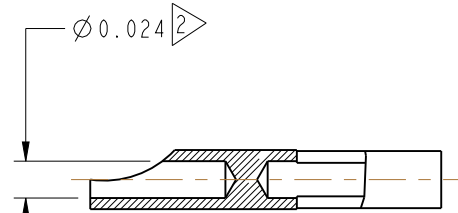
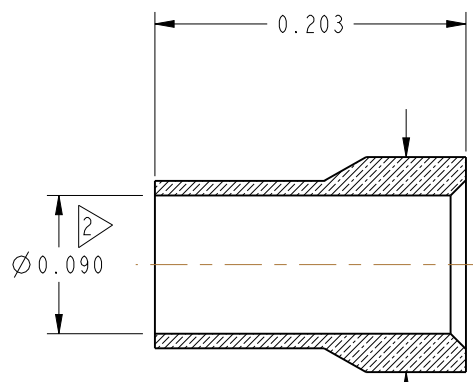
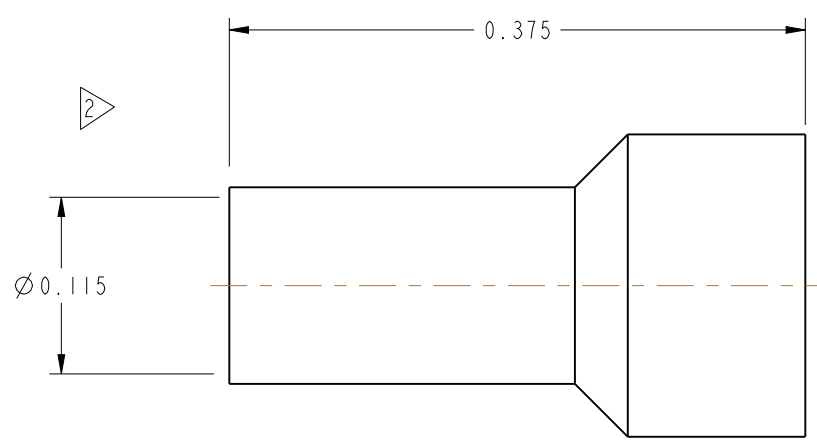
REV	DESCRIPTION	DATE	ECO	APPR
J	REDRAWN -UPDATED PER EPA 862156	09-Sep-65	12485	S.P.
T	REVISED NOTE 6	06-May-91	30546	V.T./B.R.
U	SEE SHEET 1	10/13/11	48761	HR



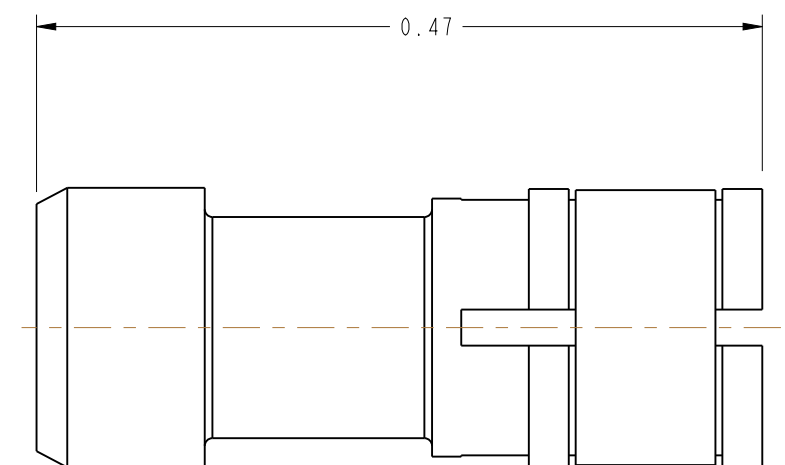
**RECOMMENDED CABLE STRIPPING DIMENSIONS**



SCALE 4.000



Ø0.140



**CUSTOMER OUTLINE DRAWING**  
 ALL OTHER SHEETS ARE FOR INTERNAL USE ONLY

UNLESS OTHERWISE SPECIFIED, DIMENSIONS ARE IN INCHES AND TOLERANCES ARE: 2 PLACE DECIMAL 3 PLACE DECIMAL ANGLES ±.015 (0,381 mm) ±.005 (0,127 mm) ± 1°	MATERIAL SEE NOTES	DRAWN HARI R	DATE 26-Aug-11	TITLE ASSEMBLY SMB, PLUG 50 OHM	Amphenol RF www.amphenolrf.com
	REFERENCE AND CONFIGURATION LEVEL: In Work	ENGINEER	DATE --		
	FINISH	APPROVED K. CAPOZZI	DATE 9/28/11	SCALE: 8.0:1.0 SHEET 2 OF 2	ITEM NO. 27-1
			CAD FILE	DWG SIZE B	REV U

NOTICE - These drawings, specifications, or other data (1) are, and remain the property of Amphenol corp. (2) must be returned upon request; and (3) are confidential and not to be disclosed to any person other than those to whom they are given by Amphenol Corp. the furnishing of these drawings, specifications, or other data by Amphenol Corp., or to any other person to anyone for any purpose is not to be regarded by implication or otherwise in any manner licensing, granting rights to permitting such holder or any other person to manufacture, use or sell any product, process or design, patented or otherwise, that may in any way be related to or disclosed by said drawings, specifications, or other data.