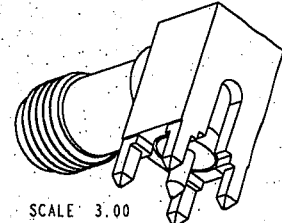


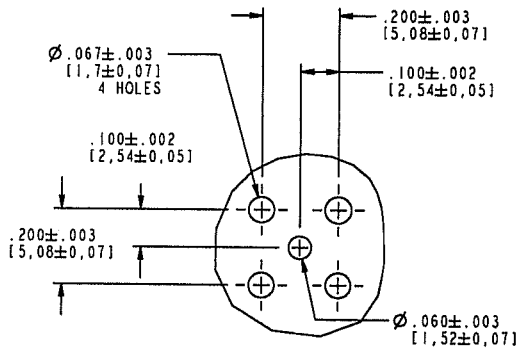
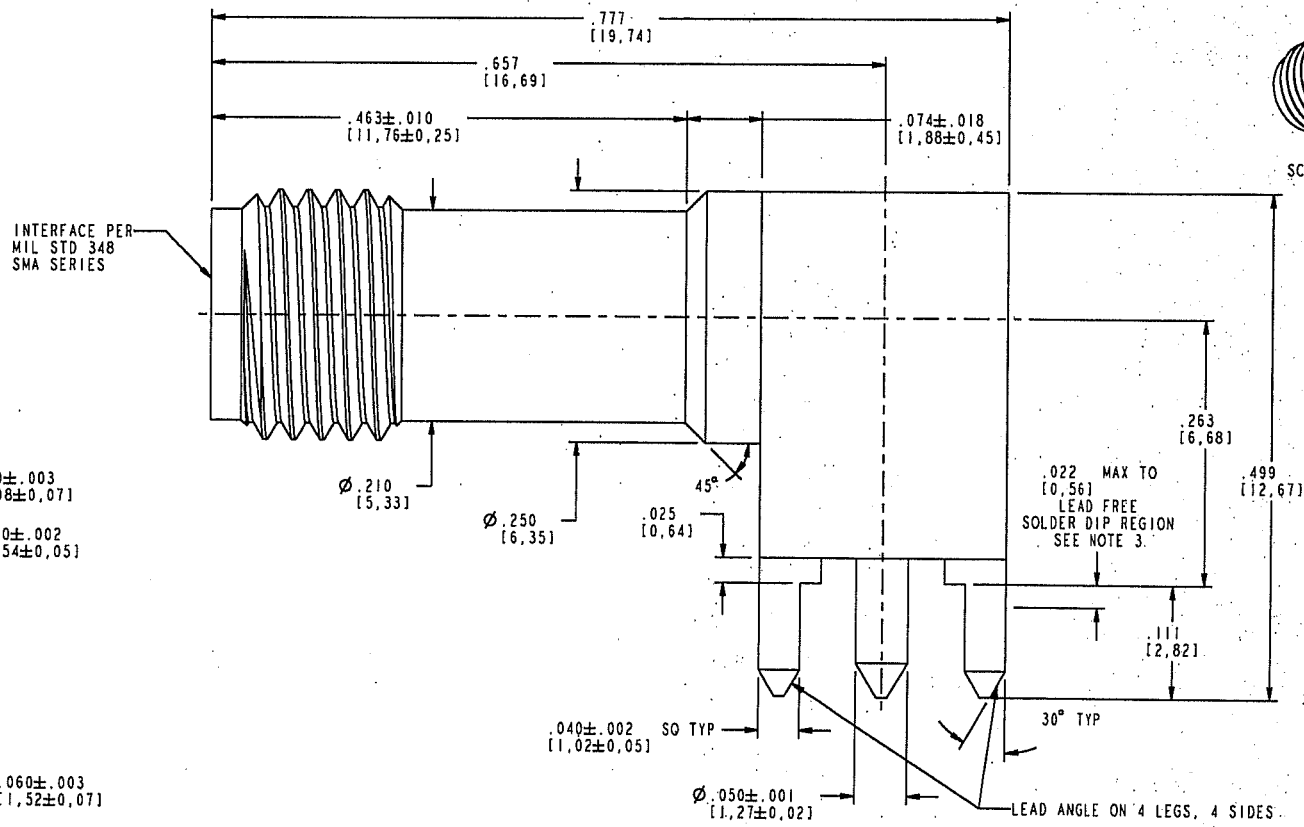
NOTES:

- MATERIALS AND FINISHES:  
 BODY - BRASS, NICKEL PLATED  
 CONTACT - BERYLLIUM COPPER, GOLD PLATED (.000050 MIN)  
 INSULATOR - TFE FLUOROCARBON
- PACKAGING: BULK PACKED, 50 CONNECTORS IN AN ANTI-STATIC BAG.
- SOLDER POSTS ON BODY SHALL BE LEAD FREE SOLDER  
 DIPPED TO DIMENSION SHOWN ON THE LENGTH OF  
 THE .145 LEGS. SOLDER THICKNESS SHALL BE  
 .0003 MIN PER MIL-STD-202 METHOD 208.  
 DIAMETER OF LEGS TO BE .060 MAXIMUM.  
 SOLDER SHALL NOT TOUCH BODY.
- ELECTRICAL:  
 A. IMPEDANCE: 50 OHM  
 B. FREQUENCY RANGE: DC - 12.4 GHz
- PHYSICAL:  
 A. DURABILITY: 500 CYCLES, MIN.  
 B. TEMPERATURE RANGE: -65° C TO +165° C

901-9917-3		REVISIONS			
DRAWING NO.	REV	DESCRIPTION	DATE	ECO	APPR
THIRD ANGLE PROJ.	A	RELEASE TO MFG.	10/9/02	44229	CPM
	C	REMOVE CONTACT SOLDER \ RD-DM09022001K	27-feb-09		



SCALE: 3.00



RECOMMENDED PCB HOLE PATTERN

**CUSTOMER OUTLINE DRAWING**  
 ALL OTHER SHEETS ARE FOR INTERNAL USE ONLY

UNLESS OTHERWISE SPECIFIED, DIMENSIONS ARE IN INCHES AND TOLERANCES ARE: 2 PLACE DECIMAL ±.015 (0.381 mm)    3 PLACE DECIMAL ±.005 (0.127 mm)    ANGLES ± 1°	MATERIAL	DRAW C. McGRATH	DATE 10/4/02	TITLE SMA JACK RIGHT ANGLE PC MOUNT	Amphenol RF Danbury, CT, USA Tainan, Taiwan Shenzhen, China www.amphenolrf.com
	REFERENCE EAR 721 SIM TO 901-9917-2 GEN# ASSYF11_SMA	ENGINEER O. BARTHELMES APPROVED O. BARTHELMES CAD FILE 1:\SMA\901-9917-3	DATE 10/4/02 DATE 10/9/02	SCALE: 8.0:1    SHEET 2 OF 2	
NOTICE - These drawings, specifications, or other data (1) are, and remain the property of Amphenol Corp. (2) must be returned upon request; and (3) are confidential and not to be disclosed to any person other than those to whom they are given by Amphenol Corp. The furnishing of these drawings, specifications, or other data by Amphenol Corp., or to any other person to anyone for any purpose is not to be regarded by implication or otherwise in any manner licensing, granting rights or permitting such holder or any other person to manufacture, use or sell any product, process or design, patented or otherwise, that may in any way be related to or disclosed by said drawings, specifications, or other data.		CODE ID 74868	DWG SIZE B	DRAWING NO. 901-9917-3	REV C