

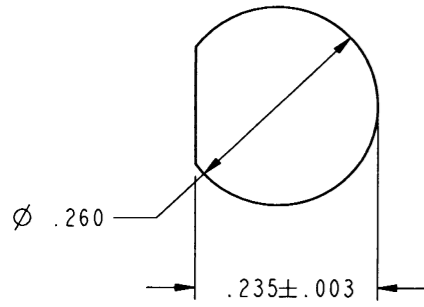
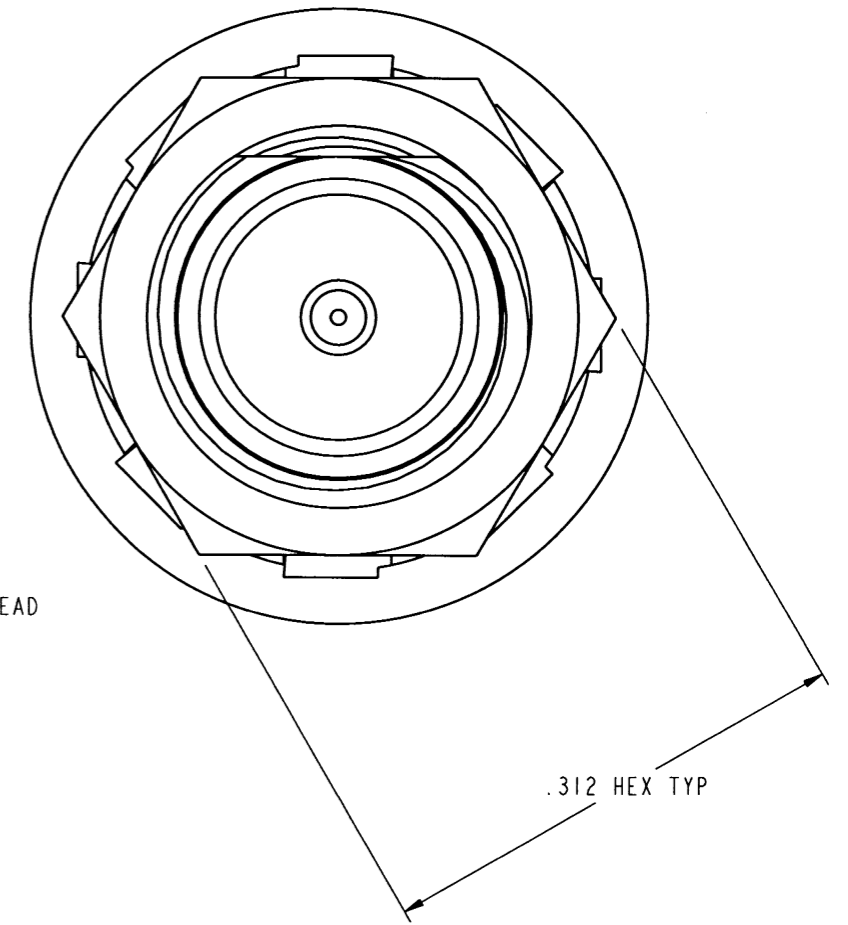
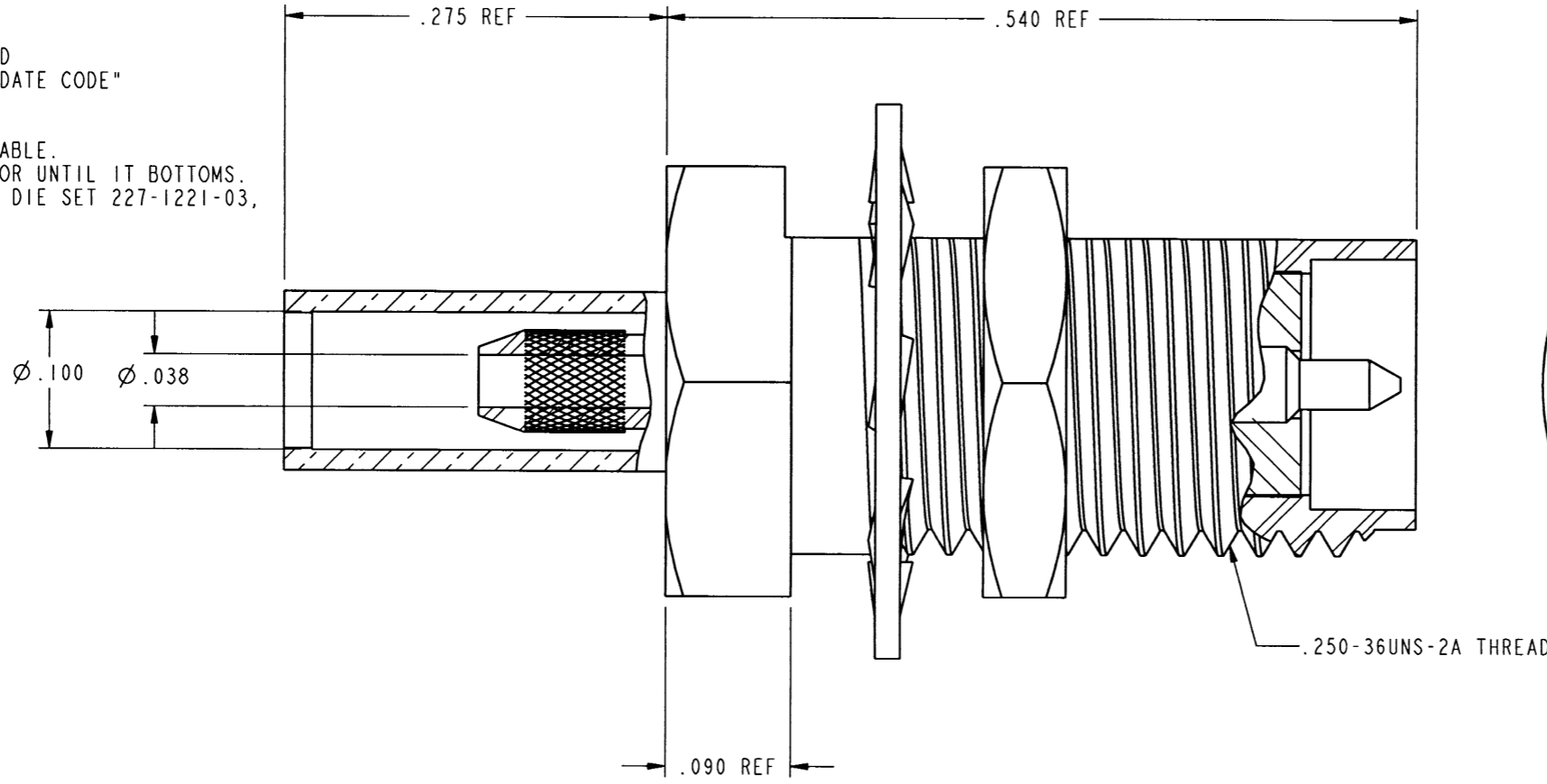
NOTE:

1. MATERIALS AND FINISHES:
 BODY - STAINLESS STEEL, PASSIVATED
 CONTACT - BeCu, GOLD PLATED PLATING
 INSULATOR - PTFE
2. ELECTRICAL:
 A. IMPEDANCE: 50 OHM
 B. FREQUENCY RANGE: DC - 12.4 GHz
 C. DIELECTRIC WITHSTANDING VOLTAGE: 1000 VRMS, MIN.
3. MECHANICAL:
 A. DURABILITY: 500 CYCLES MIN.
 B. TEMPERATURE RANGE: -65° C TO +165° C
4. PACKAGING:
 A. QUANTITY: SINGLE PACK
 B. MARKING: BAG TO BE MARKED
 "AMPHENOL, 901-9990, AND DATE CODE"
5. CABLE ASSEMBLY:
 A. PREPARE CABLE AS SHOWN
 B. SLIP CRIMP FERRULE OVER CABLE.
 C. INSERT CABLE INTO CONNECTOR UNTIL IT BOTTOMS.
 D. CRIMP USING TOOL 227-944, DIE SET 227-1221-03,
 CAVITY "B" (.105 HEX.)

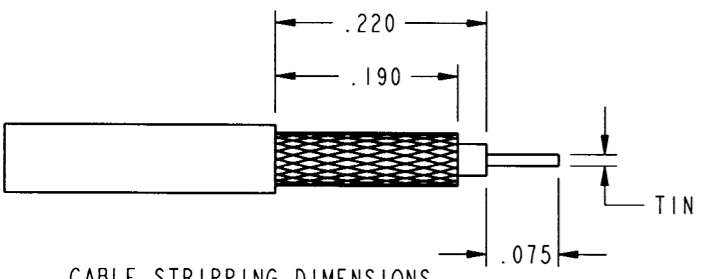
901-9990		REVISIONS			
DRAWING NO.	REV	DESCRIPTION	DATE	ECO	APPR
THIRD ANGLE PROJ.	A	RELEASE TO MFG.	6/8/98	442512	PB
	E	REDRAWN IN PRO/E	03/19/01	43725	CFRAS



SCALE 1.000



MOUNTING HOLE DIMENSIONS
SCALE 4.000



CABLE STRIPPING DIMENSIONS
SCALE 5.000

CUSTOMER OUTLINE DRAWING
ALL OTHER SHEETS ARE FOR INTERNAL USE ONLY

UNLESS OTHERWISE SPECIFIED, DIMENSIONS ARE IN INCHES AND TOLERANCES ARE: 2 PLACE DECIMAL 3 PLACE DECIMAL ANGLES ±.015 (0.381 mm) ±.005 (0.127 mm) ± 1°	MATERIAL	DRAWN	DATE	TITLE POLARIZED SMA JACK FOR RG-178/U	Amphenol Amphenol Corporation Communication and Network Products Division Danbury, CT U.S.A. 06810
	REFERENCE	ENGINEER	DATE		
NOTICE - These drawings, specifications, or other data (1) are, and remain the property of Amphenol Corp. (2) must be returned upon request; and (3) are confidential and not to be disclosed to any person other than those to whom they are given by Amphenol Corp. The furnishing of these drawings, specifications, or other data by Amphenol Corp., or to any other person to anyone for any purpose is not to be regarded by implication or otherwise in any manner licensing, granting rights or permitting such holder or any other person to manufacture, use or sell any product, process or design, patented or otherwise, that may in any way be related to or disclosed by said drawings, specifications, or other data.	EAR 102-964004 4 EAR 102-964004 5 615X-1339-800	P. BRENZEL	1 JUN 98	SCALE: 8.0:1 SHEET 2 OF 2	
		APPROVED	DATE		
		CAD FILE	CODE ID	DWG SIZE	DRAWING NO.
	901-9990	74868	B	901-9990	REV E