

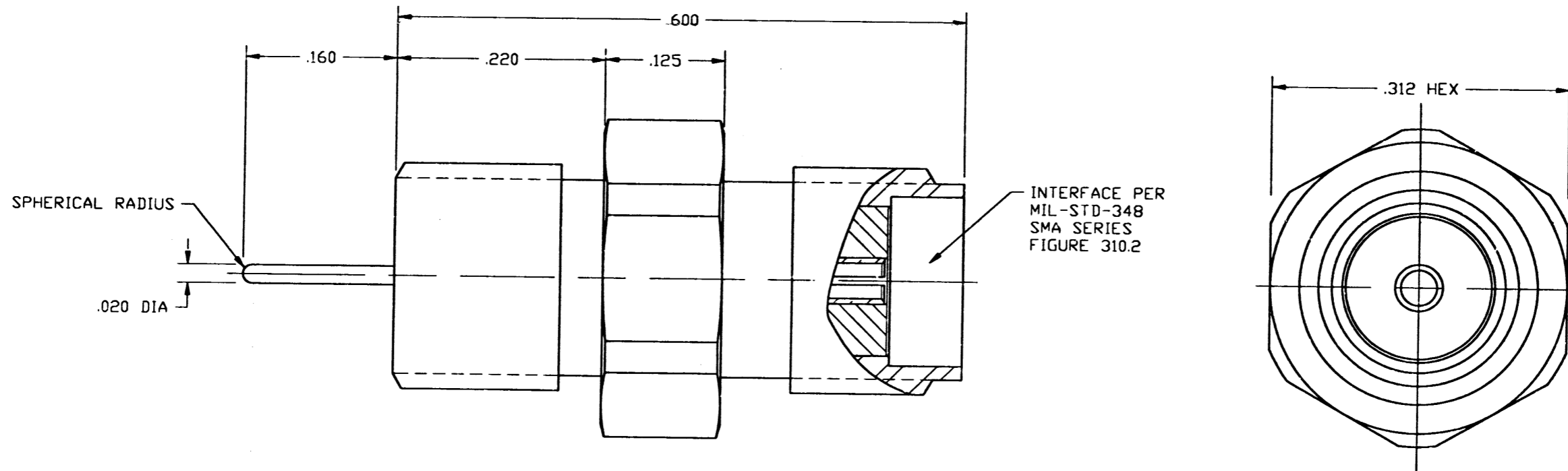
NOTES:

- DO NOT SCALE THIS DRAWING.
- PLATING MUST CONFORM TO AMPHENOL SPEC 349-50560. CONTACT IS GOLD PLATED, BODY IS PASSIVATED.

901-9909

DRAWING NO.
THIRD ANGLE PROJ.

REVISIONS				
REV	DESCRIPTION	DATE	ECO	APPR.
A	OFFICIAL ENG. RELEASE TO MFG.	9-12-95	40948	PB/RW
B	.125 WAS .100	9-21-95	40967	PB <i>[Signature]</i>
C	SEE SHEET ONE	11-2-95	41009	CPM <i>[Signature]</i>



CUSTOMER DRAWING

UNLESS OTHERWISE SPECIFIED, DIMENSIONS ARE IN INCHES AND TOLERANCES ARE: 2 PLACE DECIMAL ±.015 (0.381 mm) 3 PLACE DECIMAL ±.005 (0.127 mm) ANGLES ± 1°		MATERIAL	DRAWN P. BRENZEL	DATE 9-7-95	TITLE SMA RECEPTACLE FRONT MOUNT	Amphenol Amphenol Corporation RF/Microwave Operations Danbury, Conn. U.S.A. 06810 SCALE: 8:1 SHEET 2 OF 2	
NOTICE - These drawings, specifications, or other data (1) are, and remain the property of Amphenol Corp. (2) must be returned upon request; and (3) are confidential and not to be disclosed to any person other than those to whom they are given by Amphenol Corp. The furnishing of these drawings, specifications, or other data by Amphenol Corp., or to any other person to anyone for any purpose is not to be regarded by implication or otherwise in any manner licensing, granting rights or permitting such holder or any other person to manufacture, use or sell any product, process or design, patented or otherwise, that may in any way be related to or disclosed by said drawings, specifications, or other data.		REFERENCE EAR 111-964936 3 WATKINS-JOHNSON 444325SK-001 615X-1401-100	ENGINEER	DATE	APPROVED R. VACCARD		DATE 9-11-95
			CAD FILE H:\PETE\SMA\901\ASSY\99090001	CODE ID 74868	DWG SIZE B	DRAWING NO. 901-9909	ISSUE C